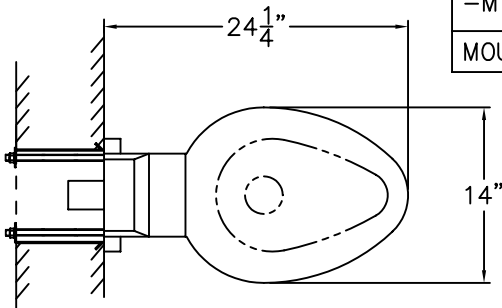




REFERENCE DRAWINGS		
-SW WALL SLEEVE / -MT METAL TEMPLATE	-W WALL SUPPLY	9925-230-001
	-T TOP SUPPLY	9925-231-001
MOUNTING HARDWARE		9957-900-001

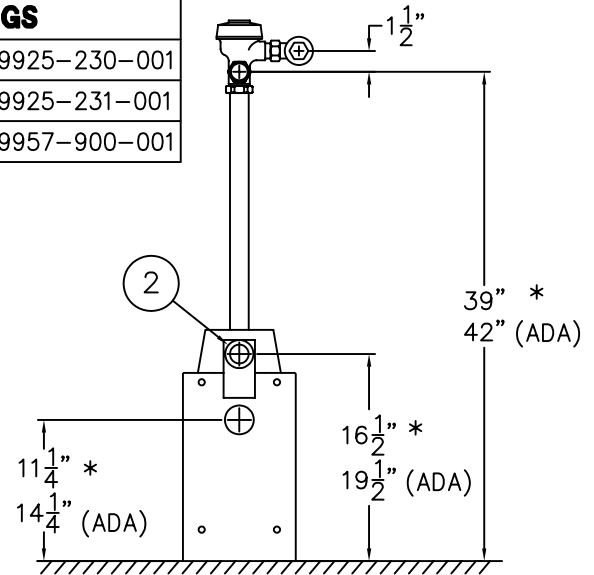


TOP VIEW

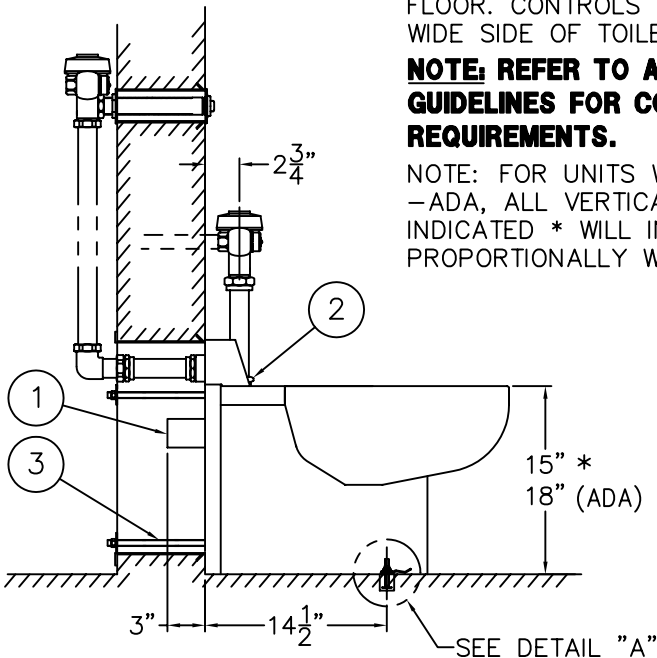
**FOR -ADA MODELS** -FLUSH VALVE MUST BE HYDRAULICALLY ACTUATED OR SUPPLIED WITH A SPECIAL HANDLE. MAX. CONTROL HEIGHT IS 44" ABOVE FINISHED FLOOR. CONTROLS MUST BE LOCATED ON WIDE SIDE OF TOILET.

**NOTE: REFER TO A.D.A. ACCESSIBILITY GUIDELINES FOR COMPLETE INSTALLATION REQUIREMENTS.**

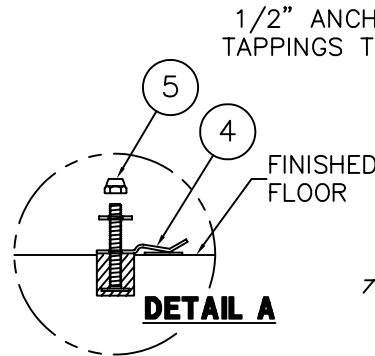
NOTE: FOR UNITS WITH SUFFIX OPTION -ADA, ALL VERTICAL DIMENSIONS INDICATED \* WILL INCREASE PROPORTIONALLY WITH ADA SEAT HEIGHT.



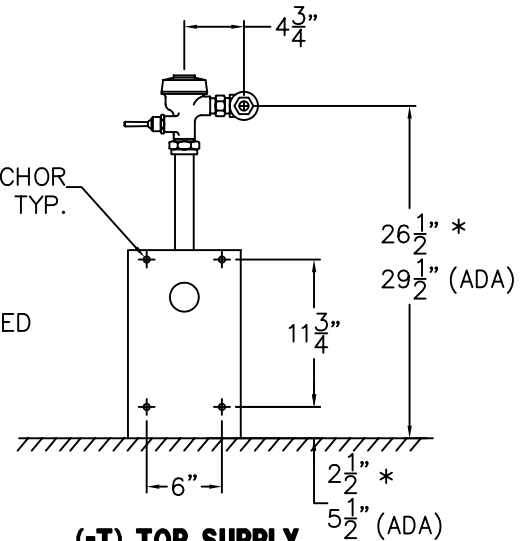
**(-W) WALL SUPPLY REAR VIEW**



**SIDE VIEW**



**DETAIL A**



**(-T) TOP SUPPLY REAR VIEW**

**INSTALLATION INSTRUCTIONS:**

- A- SEE REFERENCE DRAWING BOX FOR WALL SLEEVE INSTALLATION INSTRUCTIONS (SUFFIX OPTION -SW).
- B- ROUGH-IN PLUMBING FOR THE FOLLOWING CONNECTIONS:
  - TOILET WALL WASTE OUTLET 2-3/8" O.D. PLAIN END ①.
  - SUFFIX OPTION -W03 3" O.D. PLAIN END WASTE ①.
  - FLUSHING INLET CONNECTION 1-1/2" NPT ②.
- C- INSTALL 1/2"-13 ALL THREAD STUDS ③ INTO ANCHOR TAPPINGS AT REAR OF FIXTURE. STUDS MUST HAVE A MINIMUM 1/2" ENGAGEMENT.

- D- ATTACH CONCEALED FLOOR ANCHORS ④ WITH T-BOLT ASSEMBLY ⑤ PROVIDED. SEE DETAIL "A".
- E- PLACE TOILET UP AGAINST CELL WALL, SLIDING THE STUDS THROUGH WALL SLEEVE OPENINGS AND ENGAGING WITH CONCEALED FLOOR ANCHORS ④.
- F- PLACE WASHERS AND NUTS ONTO STUDS ③; TIGHTEN TO 60FT/LBS.
- G- FLUSH SUPPLY LINE. MAKE-UP WASTE CONNECTION AND MOUNT FLUSH VALVE PER MANUFACTURERS' RECOMMENDATIONS.



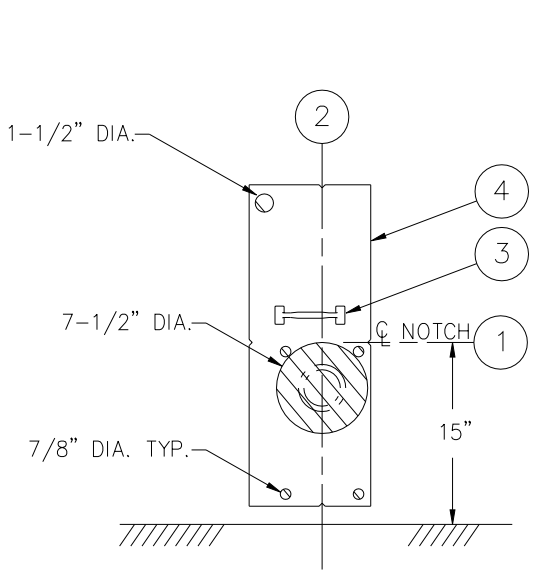
ACORN ENGINEERING COMPANY  
P.O. BOX 3527 INDUSTRY, CA. 91744  
(626) 336-4561 FAX (626) 961-2200

TITLE <b>BLOWOUT JET TOILET - ON FLOOR - CAT. #1685 / 1685-ADA -W/T</b>		
MANUFACTURE DATE	DATE ISSUED	DRAWING NUMBER
<b>OCT. 17, 1997</b>	<b>8/18/97</b>	<b>9925-044-002</b>
<b>TO PRESENT</b>	DATE REVISED <b>04/04/07</b>	

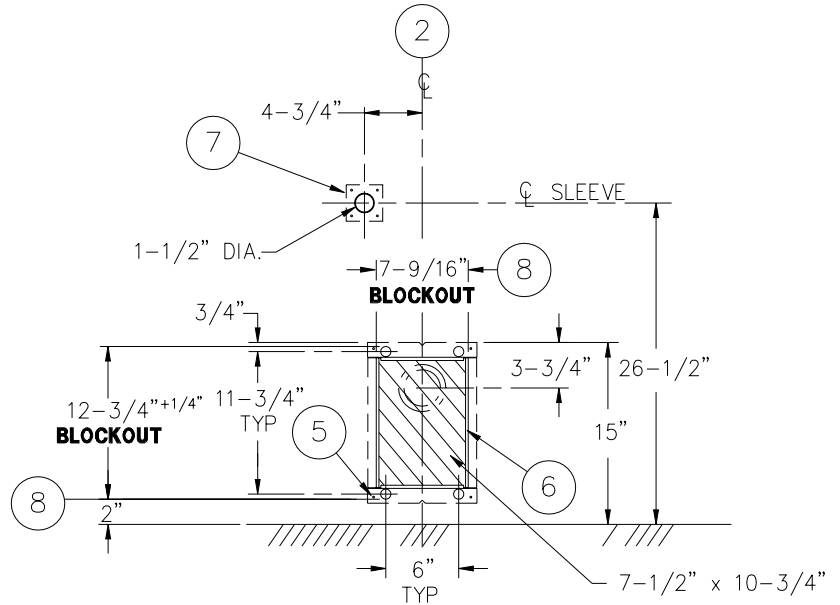


**BOTH VIEWS ARE FROM CELL SIDE**

SHADED AREAS ARE REQUIRED WALL OPENINGS



**METAL TEMPLATE (-MT)**



**WALL SLEEVE (-SW)**

**NOTE: FOR SUFFIX OPTION -HC OR -A.D.A. UNITS:**

POSITION WALL SLEEVE WITH NOTCH FOR INTEGRAL SEAT AT HANDICAP DIMENSION -18" FOR A.D.A. MODELS. ALL VERTICAL DIMENSIONS CHANGE ACCORDING TO ADDITIONAL SEAT HEIGHT FOR HANDICAP. I.E. FOR 18" SEAT HEIGHT WASTE OUTLET BECOMES 14-1/4" FLUSHING INLET BECOMES 19-1/2".

**NOTE:**

ON POURED WALL CONSTRUCTION, THE PUSHBUTTON SLEEVE, ITEM ⑦ IS CAPPED. THIS CAP MUST BE REMOVED FROM THE CHASE SIDE OF THE WALL, BEFORE INSTALLING F.V. PUSHBUTTON.

**INSTALLATION INSTRUCTIONS**

**METAL TEMPLATES (-MT)**

TEMPLATES ARE USED TO LAYOUT REQUIRED WALL OPENINGS FOR SUBSEQUENT FLAME CUTTING OR CORE DRILLING.

- A- STRIKE A HORIZONTAL CHALKLINE ① ON THE WALL 15" ABOVE FINISHED FLOOR. THIS WILL LOCATE CENTERLINE FOR HORIZONTAL NOTCHES ON TEMPLATE. (WHEN USING -HC OPTION SEE NOTE ABOVE)
- B- STRIKE A VERTICAL CHALKLINE ② ON THE WALL TO INDICATE CENTERLINE OF FIXTURE. THIS WILL LOCATE FOR VERTICAL NOTCHES ON TEMPLATE.
- C- USING HANDLE ③ ON TEMPLATE ④, PLACE TEMPLATE AGAINST THE WALL, LOCATING NOTCHES AT CHALKLINES. MARK FOR WALL OPENINGS.

**WALL SLEEVES (-SW)**

SLEEVES ARE INSTALLED IN FORMS (USING NAIL HOLES ⑤ PROVIDED) OR GROUTED INTO BLOCK WALLS, BECOMING A PERMANENT PART OF THE WALL.

**NOTE:** FOR POURED WALL CONSTRUCTION, TEMPORARY BRACING SHOULD BE INSTALLED WITHIN SLEEVE OPENING TO PREVENT DEFORMATION TO SLEEVE WHICH MAY OCCUR DURING POUR. DO NOT POUR CONCRETE DIRECTLY ON TOP OF WALL SLEEVE.

- A- INSTALL SLEEVE WITH FLANGE ⑥ ON CHASE SIDE OF WALL.
- B- TOP AND BOTTOM NOTCHES TO BE LOCATED AT VERTICAL CENTERLINE ② OF SLEEVE.
- C- TOP OF FLANGE TO BE LOCATED AT 15" ABOVE THE FINISHED CELL SIDE FLOOR (INTEGRAL TOILET SEAT HEIGHT).
- D- SEPARATE SLEEVE ⑦ FOR FLUSH VALVE PUSHBUTTON TO BE LOCATED 26-1/2" ABOVE FINISHED CELL SIDE FLOOR.
- E- WHEN SLEEVES ARE NOT AVAILABLE USE BLOCKOUT DIMENSIONS SHOWN ⑧.



**ACORN ENGINEERING COMPANY**  
P.O. BOX 3527 INDUSTRY, CA. 91744  
(626) 336-4561 FAX (626) 961-2200

**TITLE SLEEVES AND TEMPLATES (CAT. #1685-T) (CAT. #1685-A.D.A.-T)**

MANUFACTURE DATE

**FEB 1975  
TO PRESENT**

DATE ISSUED

**3-1-90**

DATE REVISED

**1/30/96**

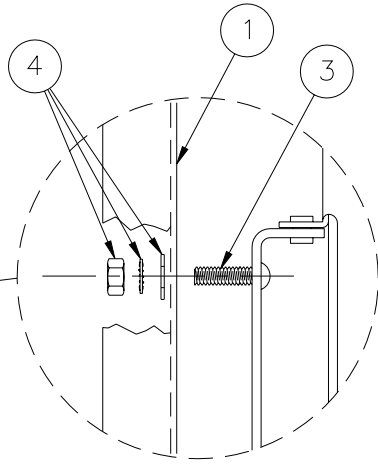
DRAWING NUMBER

**9925-231-001**

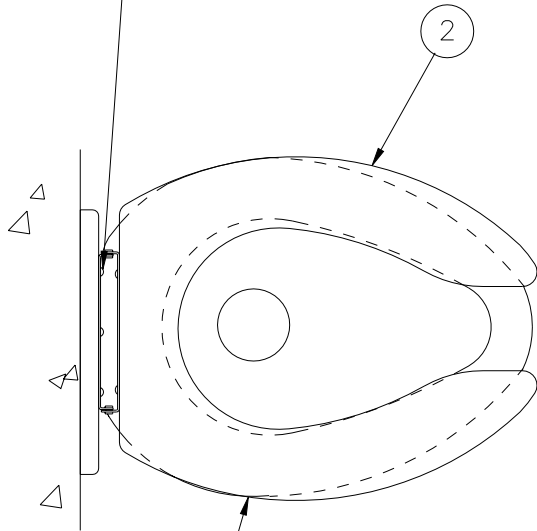
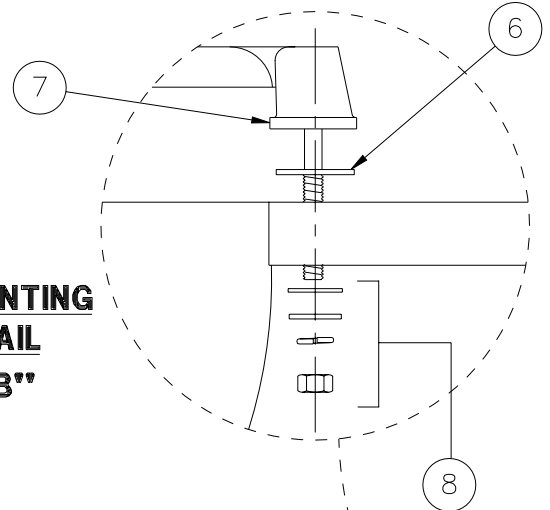




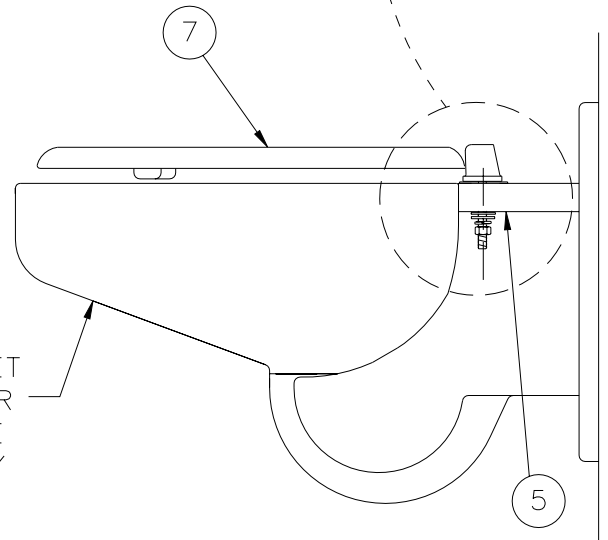
**MOUNTING  
DETAIL  
"A-A"**



**MOUNTING  
DETAIL  
"B-B"**



1679 TOILET  
SHOWN FOR  
REFERENCE  
ONLY



1675 TOILET  
SHOWN FOR  
REFERENCE  
ONLY

**INSTALLATION INSTRUCTIONS-COMBY AND 1679 TOILET  
PRIOR TO MOUNTING FIXTURE ON WALL:**

- A- LOCATE HINGED SEAT MOUNTING HOLES ON FIXTURE ①.
- B- POSITION HINGED SEAT ② AGAINST UNIT ① BY INSERTING SCREWS ③ INTO MOUNTING HOLES.
- C- ASSEMBLE NUT, WASHER AND LOCK-WASHER ④ AS SHOWN IN MOUNTING DETAIL "A-A".

**INSTALLATION INSTRUCTIONS-TOILETS  
PRIOR TO MOUNTING FIXTURE ON WALL:**

- A- LOCATE HINGED SEAT MOUNTING HOLES IN FIXTURE ⑤.
- B- INSERT WASHERS ⑥ BETWEEN TOP OF TOILET AND HINGE SEAT ⑦.
- C- POSITION HINGED SEAT ⑦ ON TOP OF UNIT.
- D- ASSEMBLE HARDWARE ⑧ AS SHOWN IN MOUNTING DETAIL "B-B"



**ACORN ENGINEERING COMPANY**  
P.O. BOX 3527 INDUSTRY, CA. 91744  
(626) 336-4561 FAX (626) 961-2200

TITLE **-HS HINGED SEAT OPTION INSTALLATION DETAIL - COMBYS AND TOILETS**

MANUFACTURE DATE  
**FEBRUARY 1999**  
**TO PRESENT**

DATE ISSUED  
**02/22/99**  
DATE REVISED  
**03/26/01**

DRAWING NUMBER  
**9925-048-001**