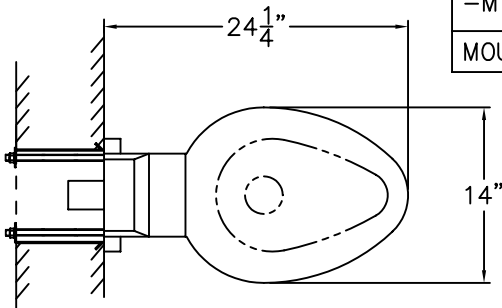




REFERENCE DRAWINGS		
-SW WALL SLEEVE / -MT METAL TEMPLATE	-W WALL SUPPLY	9925-230-001
	-T TOP SUPPLY	9925-231-001
MOUNTING HARDWARE		9957-900-001

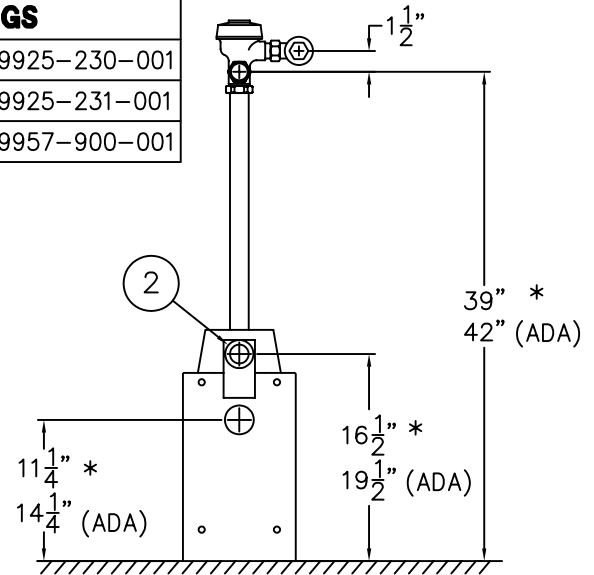


TOP VIEW

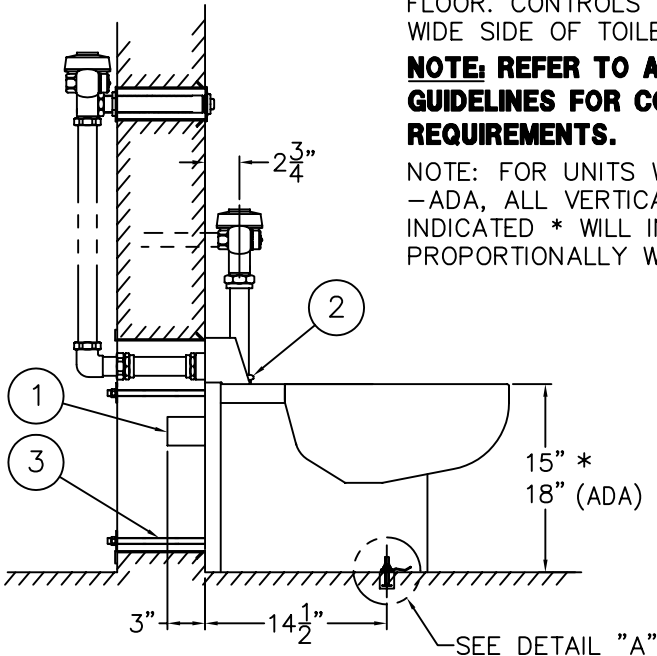
FOR -ADA MODELS -FLUSH VALVE MUST BE HYDRAULICALLY ACTUATED OR SUPPLIED WITH A SPECIAL HANDLE. MAX. CONTROL HEIGHT IS 44" ABOVE FINISHED FLOOR. CONTROLS MUST BE LOCATED ON WIDE SIDE OF TOILET.

NOTE: REFER TO A.D.A. ACCESSIBILITY GUIDELINES FOR COMPLETE INSTALLATION REQUIREMENTS.

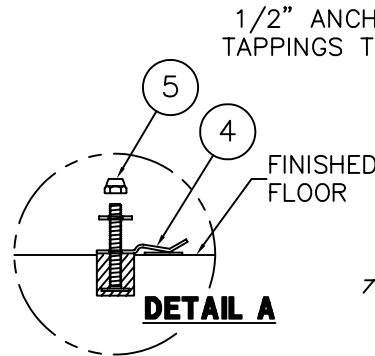
NOTE: FOR UNITS WITH SUFFIX OPTION -ADA, ALL VERTICAL DIMENSIONS INDICATED * WILL INCREASE PROPORTIONALLY WITH ADA SEAT HEIGHT.



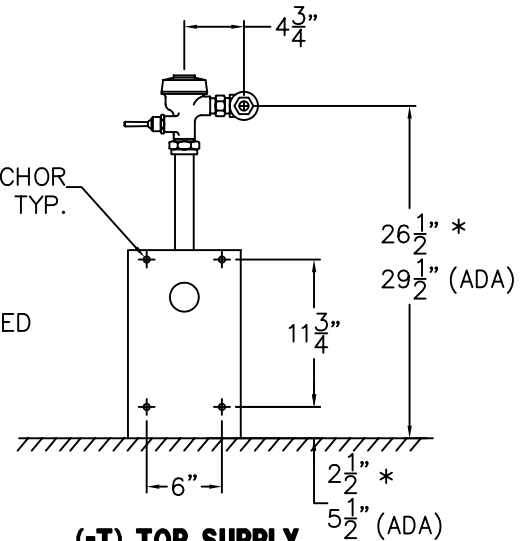
(-W) WALL SUPPLY REAR VIEW



SIDE VIEW



DETAIL A



(-T) TOP SUPPLY REAR VIEW

INSTALLATION INSTRUCTIONS:

- A- SEE REFERENCE DRAWING BOX FOR WALL SLEEVE INSTALLATION INSTRUCTIONS (SUFFIX OPTION -SW).
- B- ROUGH-IN PLUMBING FOR THE FOLLOWING CONNECTIONS:
 - TOILET WALL WASTE OUTLET 2-3/8" O.D. PLAIN END ①.
 - SUFFIX OPTION -W03 3" O.D. PLAIN END WASTE ①.
 - FLUSHING INLET CONNECTION 1-1/2" NPT ②.
- C- INSTALL 1/2"-13 ALL THREAD STUDS ③ INTO ANCHOR TAPPINGS AT REAR OF FIXTURE. STUDS MUST HAVE A MINIMUM 1/2" ENGAGEMENT.

- D- ATTACH CONCEALED FLOOR ANCHORS ④ WITH T-BOLT ASSEMBLY ⑤ PROVIDED. SEE DETAIL "A".
- E- PLACE TOILET UP AGAINST CELL WALL, SLIDING THE STUDS THROUGH WALL SLEEVE OPENINGS AND ENGAGING WITH CONCEALED FLOOR ANCHORS ④.
- F- PLACE WASHERS AND NUTS ONTO STUDS ③; TIGHTEN TO 60FT/LBS.
- G- FLUSH SUPPLY LINE. MAKE-UP WASTE CONNECTION AND MOUNT FLUSH VALVE PER MANUFACTURERS' RECOMMENDATIONS.

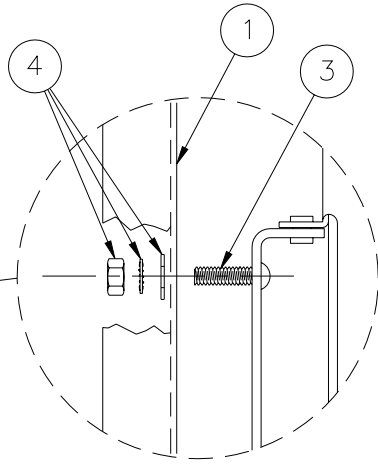


ACORN ENGINEERING COMPANY
P.O. BOX 3527 INDUSTRY, CA. 91744
(626) 336-4561 FAX (626) 961-2200

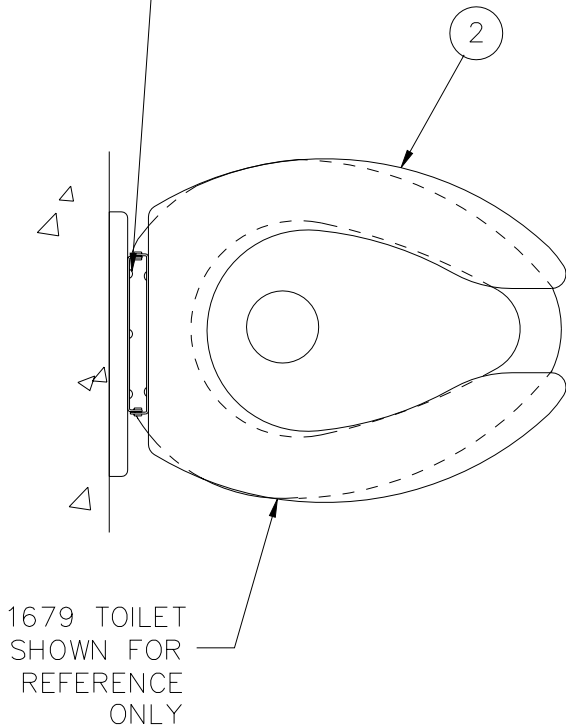
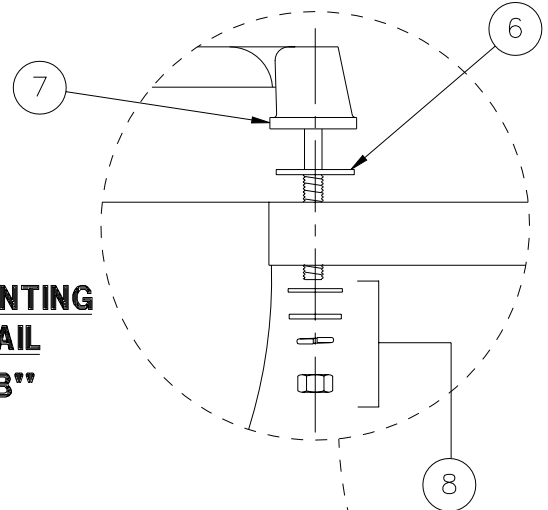
TITLE BLOWOUT JET TOILET - ON FLOOR - CAT. #1685 / 1685-ADA -W/T		
MANUFACTURE DATE OCT. 17, 1997 TO PRESENT	DATE ISSUED 8/18/97	DRAWING NUMBER 9925-044-002
	DATE REVISED 04/04/07	



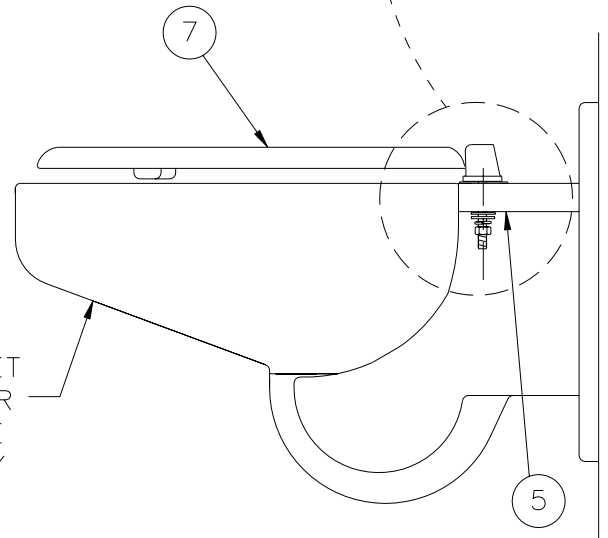
**MOUNTING
DETAIL
"A-A"**



**MOUNTING
DETAIL
"B-B"**



1675 TOILET
SHOWN FOR
REFERENCE
ONLY



**INSTALLATION INSTRUCTIONS-COMBY AND 1679 TOILET
PRIOR TO MOUNTING FIXTURE ON WALL:**

- A- LOCATE HINGED SEAT MOUNTING HOLES ON FIXTURE ①.
- B- POSITION HINGED SEAT ② AGAINST UNIT ① BY INSERTING SCREWS ③ INTO MOUNTING HOLES.
- C- ASSEMBLE NUT, WASHER AND LOCK-WASHER ④ AS SHOWN IN MOUNTING DETAIL "A-A".

**INSTALLATION INSTRUCTIONS-TOILETS
PRIOR TO MOUNTING FIXTURE ON WALL:**

- A- LOCATE HINGED SEAT MOUNTING HOLES IN FIXTURE ⑤.
- B- INSERT WASHERS ⑥ BETWEEN TOP OF TOILET AND HINGE SEAT ⑦.
- C- POSITION HINGED SEAT ⑦ ON TOP OF UNIT.
- D- ASSEMBLE HARDWARE ⑧ AS SHOWN IN MOUNTING DETAIL "B-B"



ACORN ENGINEERING COMPANY
P.O. BOX 3527 INDUSTRY, CA. 91744
(626) 336-4561 FAX (626) 961-2200

TITLE **-HS HINGED SEAT OPTION INSTALLATION DETAIL - COMBYS AND TOILETS**

MANUFACTURE DATE
FEBRUARY 1999
TO PRESENT

DATE ISSUED
02/22/99
DATE REVISED
03/26/01

DRAWING NUMBER
9925-048-001