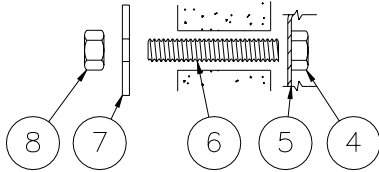


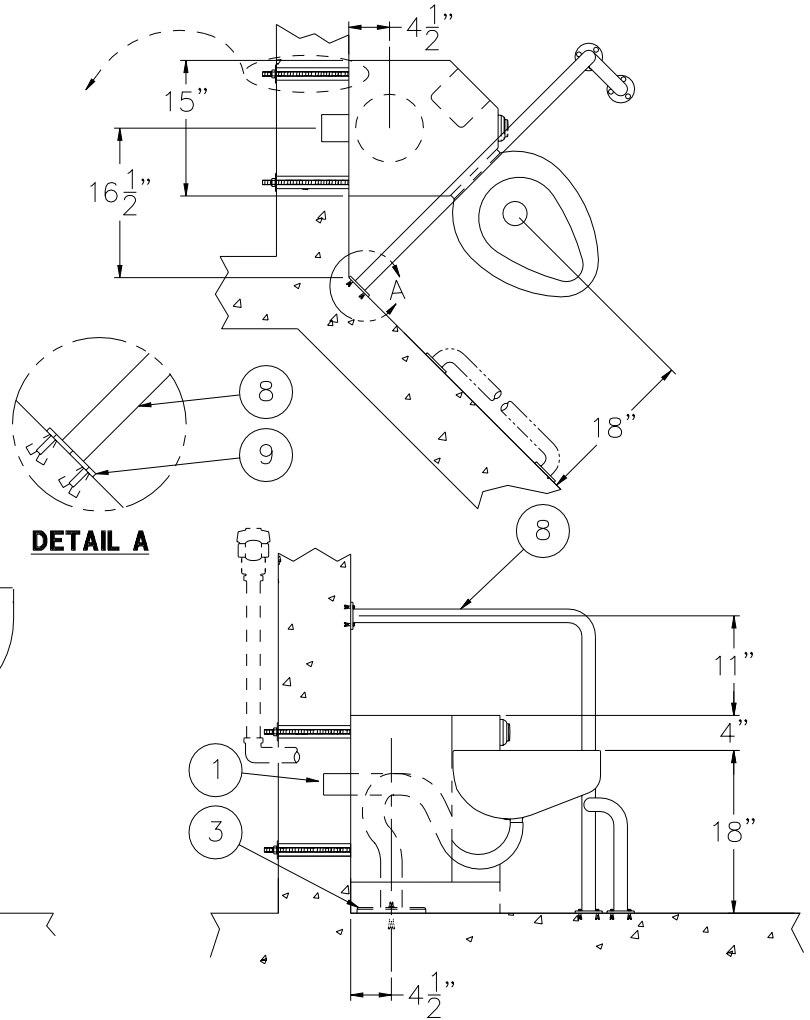
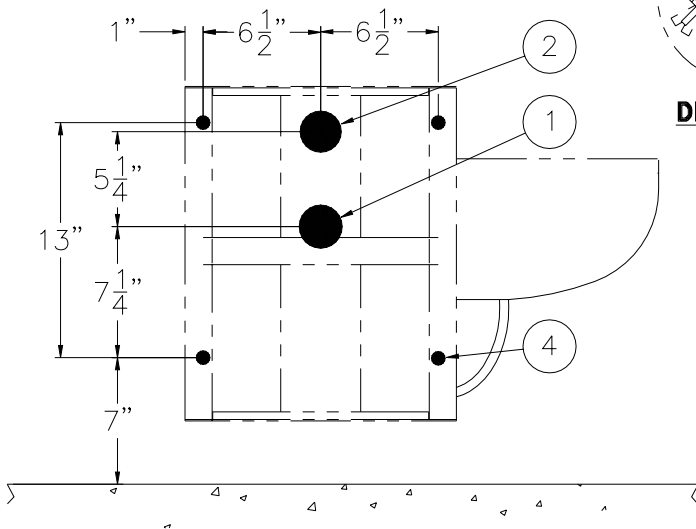


REFERENCE DRAWINGS	
HARDWARE PACKAGE	9957-900-001
-SW SLEEVE / -MT TEMPLATE	9925-096-001

MOUNTING DETAIL



ROUGH-IN VIEW SHOWN FROM FIXTURE SIDE



DETAIL A

INSTALLATION INSTRUCTIONS:

IMPORTANT: SOME OPTIONS MAY SLIGHTLY ALTER INSTALLATION PROCEDURES. READ ALL SUPPLEMENTAL DRAWINGS BEFORE INSTALLATION OF FIXTURE. ALL FASTENERS, PLATES AND NUTS PROVIDED ARE ESSENTIAL IN PROPERLY ANCHORING THE FIXTURE. ACORN CANNOT ASSUME ANY RESPONSIBILITY FOR UNITS IMPROPERLY INSTALLED.

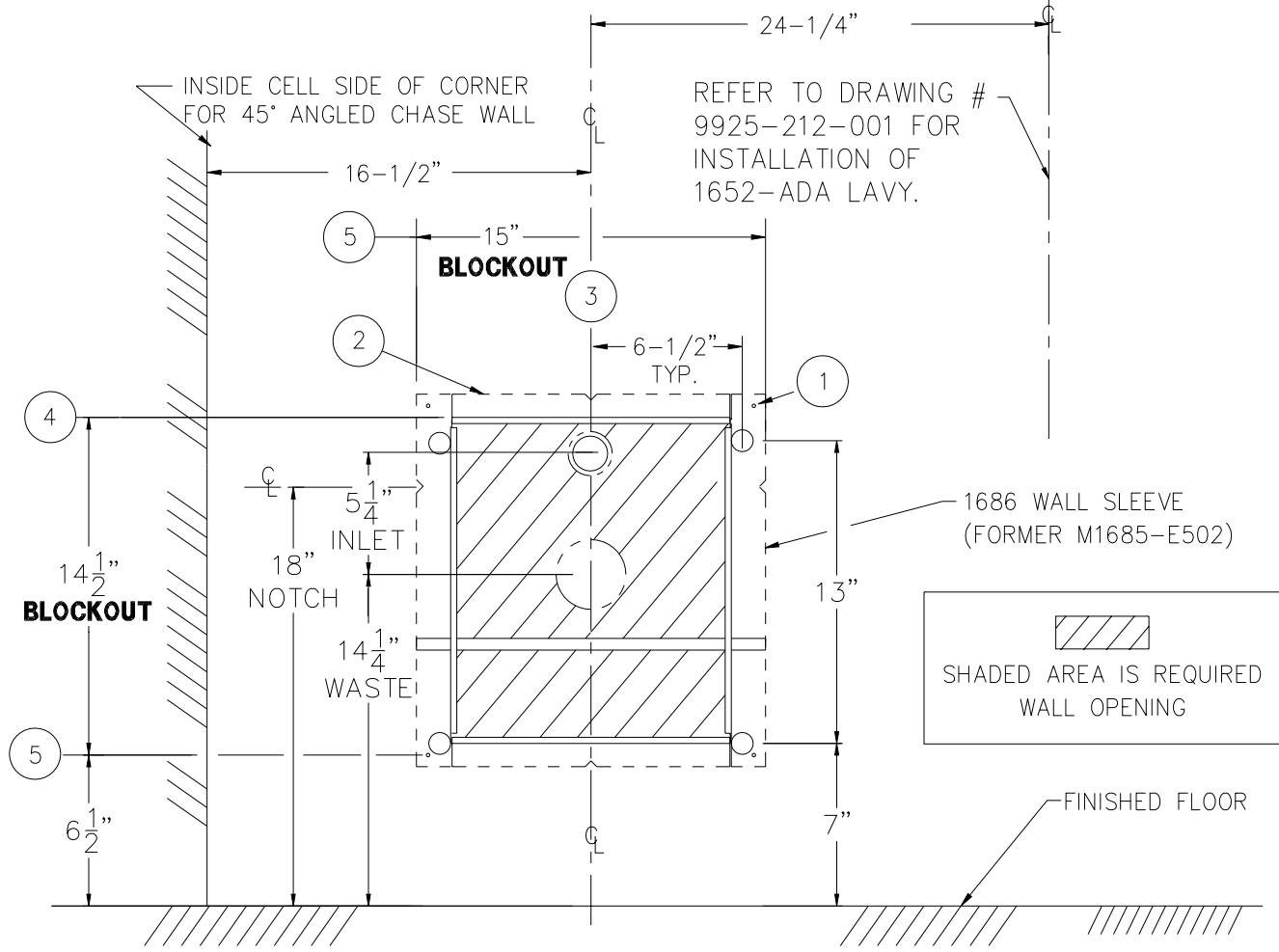
- A- **ROUGH-IN PLUMBING FOR THE FOLLOWING CONNECTIONS:** **TOILET WALL WASTE OUTLET:** 2-3/8" O.D. PLAIN END ①. SUFFIX OPTION -W03 3" O.D. PLAIN END WASTE ①. **TOILET FLOOR WASTE OUTLET:** 7-1/2" DIA. RECESSED GASKET FLANGE WITH 5/16" TAPPINGS AT 6" O/C ③. FLUSHING INLET CONNECTION 1-1/2" NPT ②.
- B- INSTALL HYDRAULIC FLUSH VALVE AND PUSHBUTTON (SHIPPED LOOSE) TO CABINET. DO NOT CUT LENGTH OF TUBING PROVIDED. DO NOT TAPE OR FIX TUBING IN A STATIONARY POSITION.
- C- BEFORE FASTENING FIXTURE TO WALL, FLOOR OUTLET TYPE FIXTURES MUST BE SET IN PLACE ON WASTE CONNECTION. SEE DWG. 9985-200-001 FOR DETAILS

- D- SEE MOUNTING DETAIL. THREAD #1/2-13 UNC STUDS ⑥ INTO MOUNTING POINTS ④ AT REAR OF FIXTURE. STUDS ⑥ MUST HAVE A MINIMUM OF 1/2" ENGAGEMENT.
- E- PLACE TOILET ⑤ UP AGAINST WALL, SLIDING THE STUDS THROUGH WALL SLEEVE OPENINGS.
- F- PLACE WASHERS ⑦ AND NUTS ⑧ ONTO STUDS ⑥. TIGHTEN TO 60 FT/LBS.
- G- FLUSH SUPPLY LINE. MAKE-UP CONNECTION AND MOUNT FLUSH VALVE PER MANUFACTURERS RECOMMENDATION.
- H- LOCATE GRAB BAR ⑧ TO FLOOR AND WALL, USING GRAB BAR MOUNTING PLATES ⑨ AS TEMPLATE, REMOVE ANCHORS (BY OTHERS). SEE DETAIL A MOUNT GRAB BAR ⑧ TO WALL AND FLOOR.

NOTE: REFER TO A.D.A. ACCESSIBILITY GUIDELINES FOR COMPLETE INSTALLATION REQUIREMENTS.

ACORN ENGINEERING COMPANY
 P.O. BOX 3527 INDUSTRY, CA. 91744
 (626) 336-4561 FAX (626) 961-2200

TITLE		
ADA BLOWOUT JET TOILET GRAB BAR ~ 1686 AL/AR (FORMERLY 1685-E502)		
MANUFACTURE DATE	DATE ISSUED	DRAWING NUMBER
DECEMBER 1998	12/09/98	9925-088-001
TO PRESENT	DATE REVISED	
	09/13/01	



FRONT VIEW

INSTALLATION INSTRUCTIONS

WALL SLEEVES (-SW)

SLEEVES ARE INSTALLED IN FORMS (USING NAIL HOLES ① PROVIDED) OR GROUTED INTO BLOCK WALLS, BECOMING A PERMANENT PART OF THE WALL.

NOTE: FOR POURED WALL CONSTRUCTION, TEMPORARY BRACING SHOULD BE INSTALLED WITHIN SLEEVE OPENING TO PREVENT DEFORMATION TO SLEEVE WHICH MAY OCCUR DURING POUR. DO NOT POUR CONCRETE DIRECTLY ON TOP OF WALL SLEEVE.

A- INSTALL SLEEVE WITH FLANGE ② ON CHASE SIDE OF WALL. SIDE OF WALL.

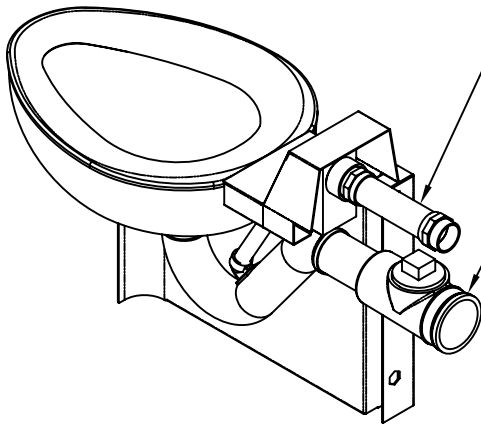
B- TOP AND BOTTOM NOTCHES TO BE LOCATED AT VERTICAL CENTERLINE ③ OF SLEEVE.

C- SIDE NOTCHES ④ TO BE LOCATED AT 18" ABOVE THE FINISHED CELL SIDE FLOOR (INTEGRAL TOILET SEAT HEIGHT).

D- WHEN SLEEVES ARE NOT AVAILABLE USE BLOCKOUT DIMENSIONS SHOWN ⑤.

ACORN ENGINEERING COMPANY
 P.O. BOX 3527 INDUSTRY, CA. 91744
 (626) 336-4561 FAX (626) 961-2200

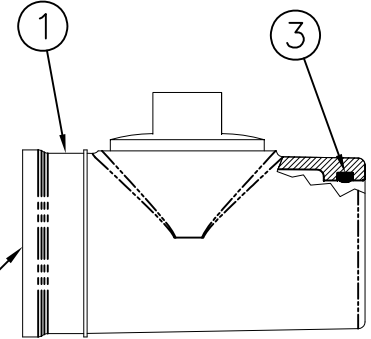
<p>TITLE WALL SLEEVE - 1686 AL/AR</p>		
<p>MANUFACTURE DATE</p> <p>DECEMBER 1998</p> <p>TO PRESENT</p>	<p>DATE ISSUED</p> <p>12/16/98</p> <p>DATE REVISED</p>	<p>DRAWING NUMBER</p> <p>9925-096-001</p>



Optional -FVT Flush Valve Thru Wall Connection. Shown For Reference.

Optional -CO1 Waste Fitting. Shown For Reference.

REFERENCE DRAWING	
WASTE CONNECTION WITH CLEANOUT -CO1	9985-125-001

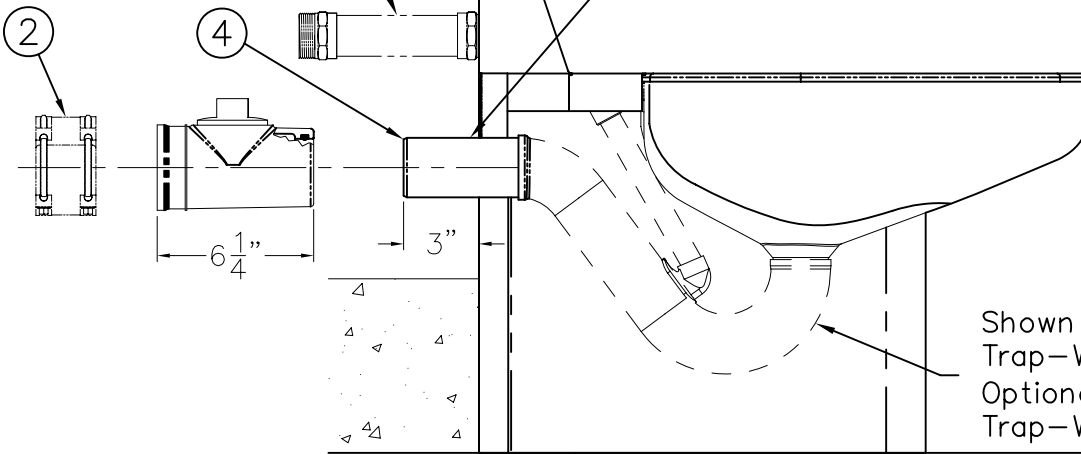


NOTE: Optional -CO1 Waste Fitting Available With 3" or 4" No-Hub

Scaled: X 2

Optional -FVT Flush Valve Thru Wall Connection Shown For Reference

Plain End Extends 3" Beyond Back Of Fixture. Optional Extended Waste Is Available -TWE



Shown With 2-3/8" O.D. Trap-Way With Plain End. Optional -WO3 3" O.D. Trap-Way Available.

MODEL #1653 SHOWN FOR REFERENCE

INSTALLATION INSTRUCTIONS

A-INSERT O-RING ③ INTO GROOVE OF WASTE FITTING ①. LUBRICATE THE O-RING ③ WITH O-RING LUBRICANT.

B-INSTALL WASTE FITTING ① TO FIXTURE P-TRAP WASTE EXTENSION ④. ENGAGEMENT IS APPROXIMATELY 1-1/4". NOTE: TOILET WASTE

EXTENSION ④ IS 3" BEYOND BACK OF FIXTURE. LONGER WASTE EXTENSION IS AVAILABLE.

C-MAKE UP WASTE FITTING CONNECTION TO WASTE PIPING USING NO-HUB (BAND) CONNECTOR ② BY OTHERS.

ACORN ENGINEERING COMPANY
P.O. BOX 3527 INDUSTRY, CA. 91744
(626) 336-4561 FAX (626) 961-2200

TITLE **NO-HUB WASTE CONNECTION WITH CLEANOUT -CO1**

MANUFACTURE DATE

JULY 1975
PRESENT

DATE ISSUED

1/29/96

DATE REVISED

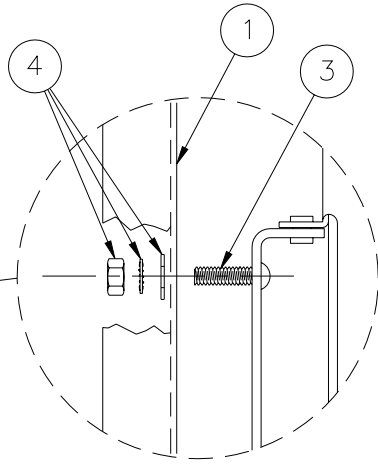
7/21/08

DRAWING NUMBER

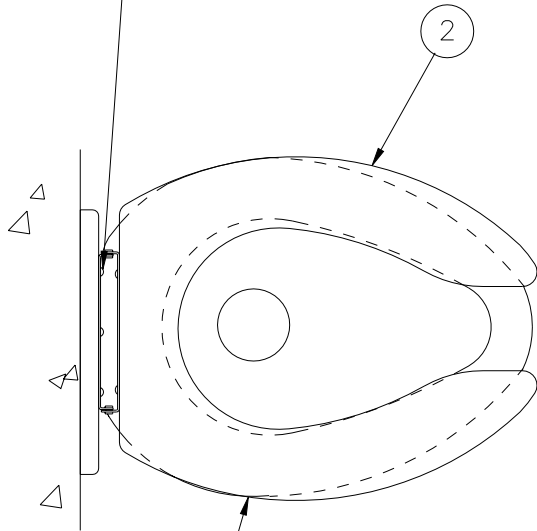
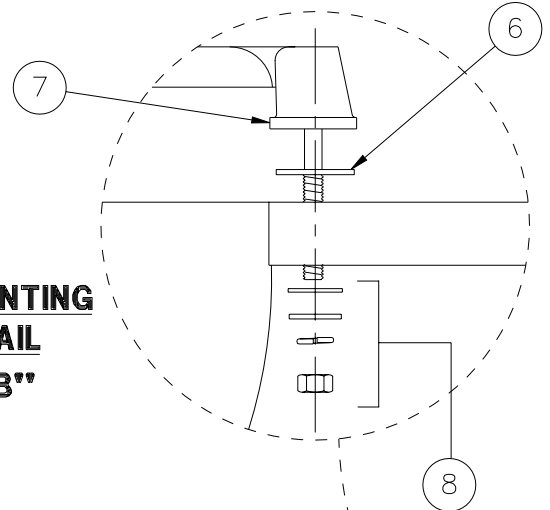
9925-054-001



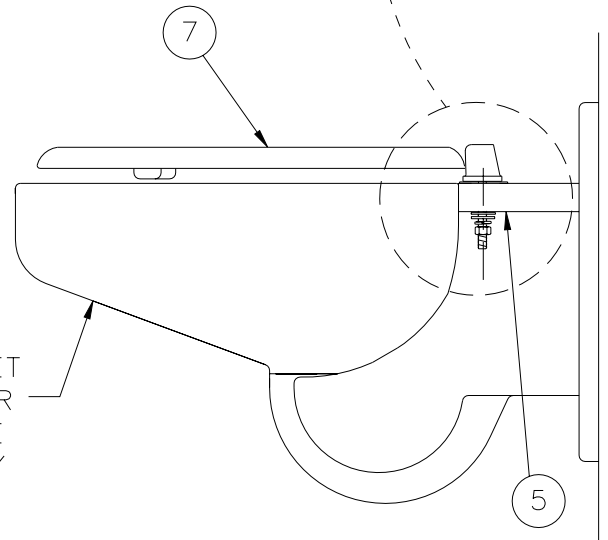
**MOUNTING
DETAIL
"A-A"**



**MOUNTING
DETAIL
"B-B"**



1679 TOILET
SHOWN FOR
REFERENCE
ONLY



1675 TOILET
SHOWN FOR
REFERENCE
ONLY

**INSTALLATION INSTRUCTIONS-COMBY AND 1679 TOILET
PRIOR TO MOUNTING FIXTURE ON WALL:**

- A- LOCATE HINGED SEAT MOUNTING HOLES ON FIXTURE ①.
- B- POSITION HINGED SEAT ② AGAINST UNIT ① BY INSERTING SCREWS ③ INTO MOUNTING HOLES.
- C- ASSEMBLE NUT, WASHER AND LOCK-WASHER ④ AS SHOWN IN MOUNTING DETAIL "A-A".

**INSTALLATION INSTRUCTIONS-TOILETS
PRIOR TO MOUNTING FIXTURE ON WALL:**

- A- LOCATE HINGED SEAT MOUNTING HOLES IN FIXTURE ⑤.
- B- INSERT WASHERS ⑥ BETWEEN TOP OF TOILET AND HINGE SEAT ⑦.
- C- POSITION HINGED SEAT ⑦ ON TOP OF UNIT.
- D- ASSEMBLE HARDWARE ⑧ AS SHOWN IN MOUNTING DETAIL "B-B"



ACORN ENGINEERING COMPANY
P.O. BOX 3527 INDUSTRY, CA. 91744
(626) 336-4561 FAX (626) 961-2200

TITLE **-HS HINGED SEAT OPTION INSTALLATION DETAIL - COMBYS AND TOILETS**

MANUFACTURE DATE
FEBRUARY 1999
TO PRESENT

DATE ISSUED
02/22/99
DATE REVISED
03/26/01

DRAWING NUMBER
9925-048-001