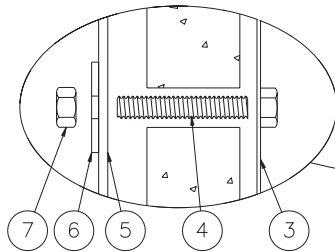
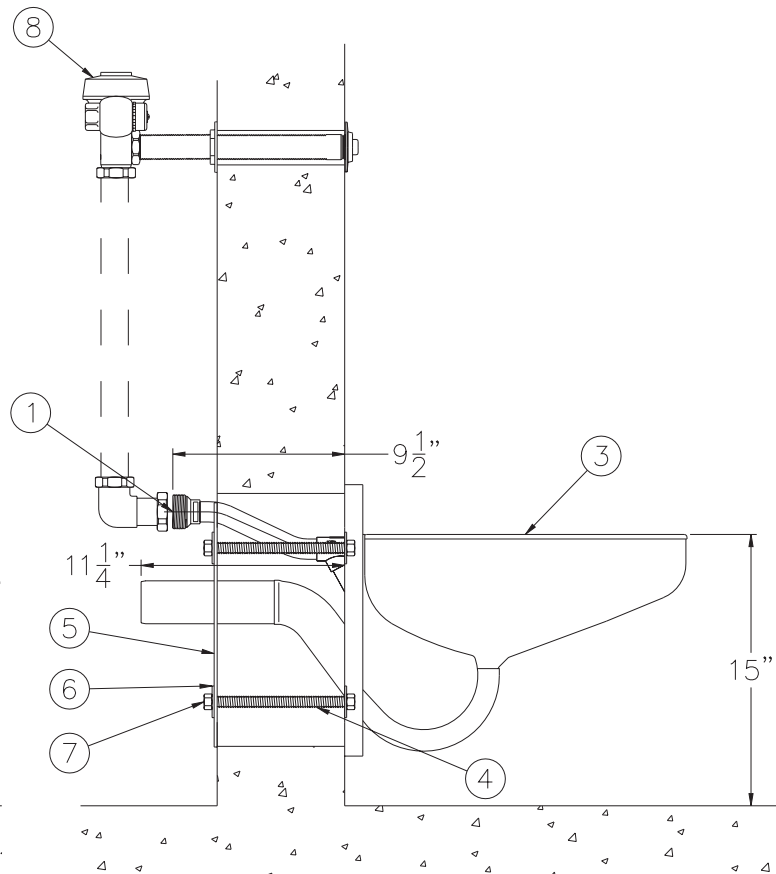
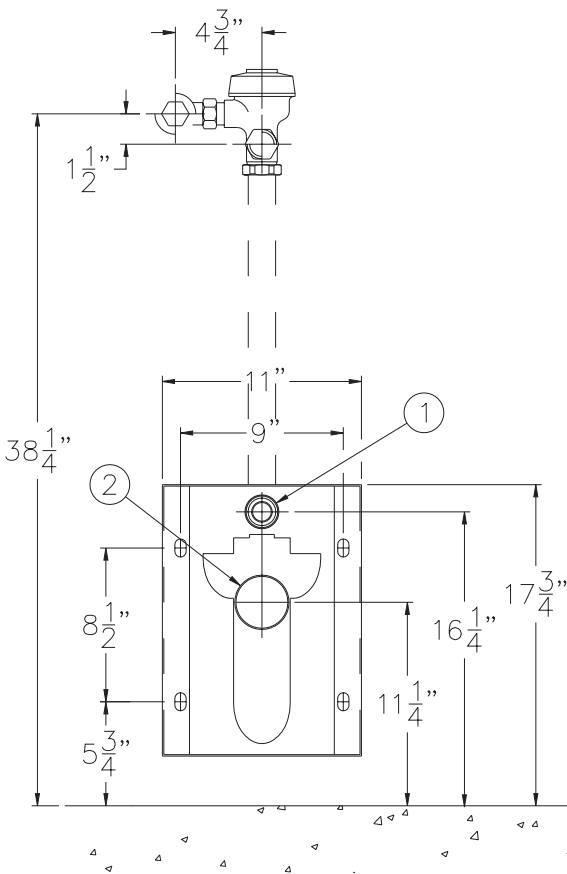
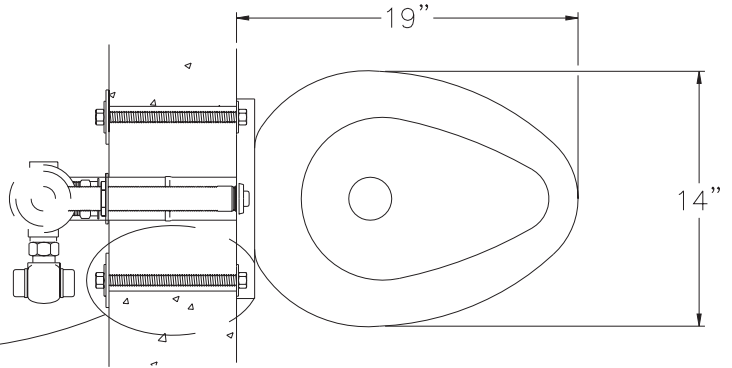




REFERENCE DRAWINGS	
-SW WALL SLEEVE	9925-239-002
HARDWARE PACKAGE	9957-900-001



MOUNTING DETAIL



**INSTALLATION INSTRUCTIONS**

A-ROUGH-IN FOR:

- 1-1/2" NPT MALE FLUSHING INLET (1)
- 2-3/8" O.D. TOILET WASTE OUTLET (2)

B-PLACE TOILET (3) AGAINST CELL WALL, SLIDING STUDS (4) THROUGH WALL OPENING.

C-PLACE VERTICAL PLATES (4), WASHERS (6), AND NUTS (7) ONTO STUDS (4). TIGHTEN TO 60FT /LBS.

D-FLUSH SUPPLY LINE. CONNECT OPTIONAL -FV FLUSH VALVE (8) PER MANUFACTURERS' RECOMMENDATIONS.



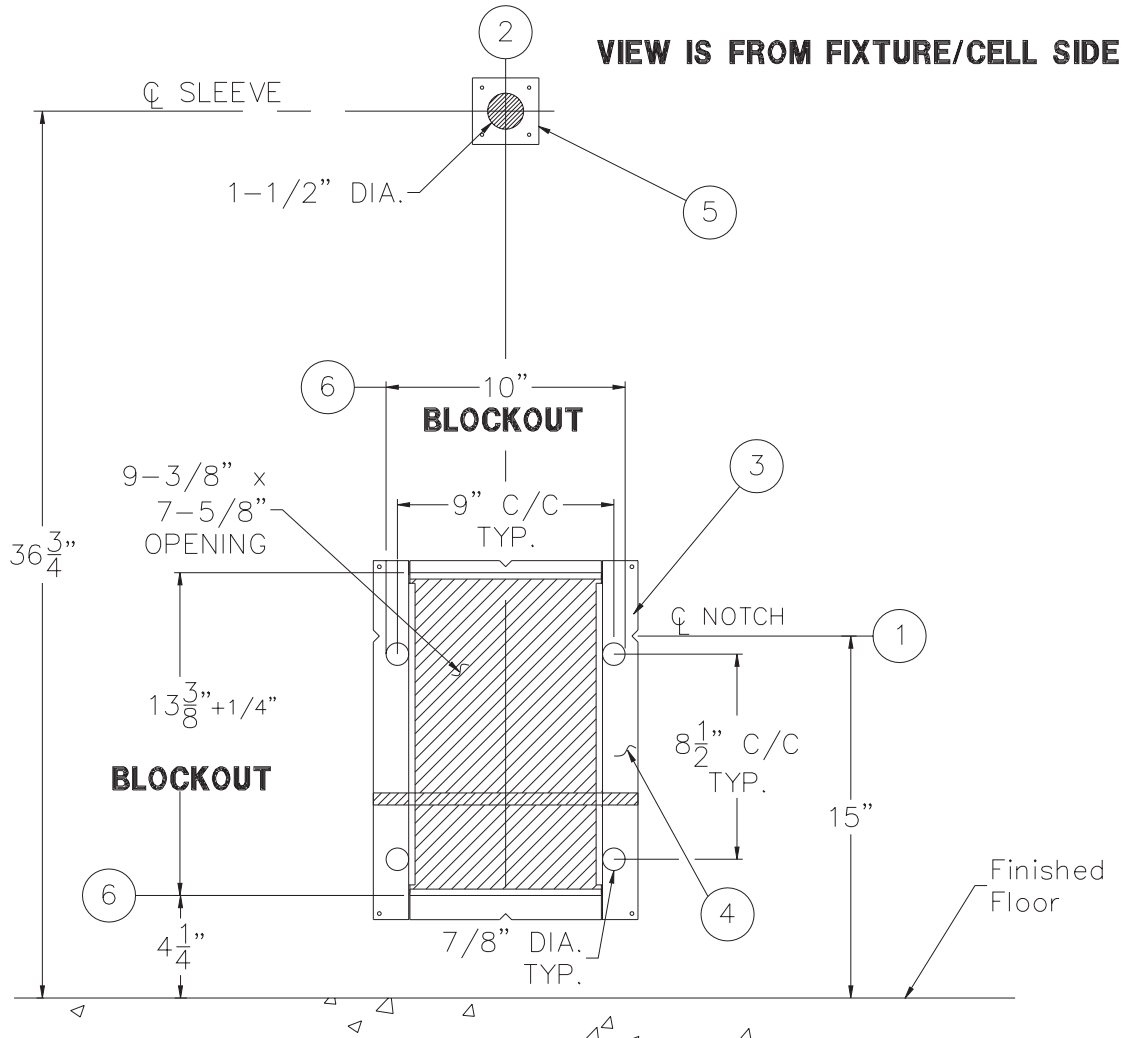
**ACORN ENGINEERING COMPANY**  
P.O. BOX 3527 INDUSTRY, CA. 91744  
(626) 336-4561 FAX (626) 961-2200

TITLE **ECONO BLOWOUT JET TOILET - CAT. #1696-W-1**

MANUFACTURE DATE  
**APRIL 2003**  
**TO PRESENT**

DATE ISSUED  
**04/25/03**  
DATE REVISED

DRAWING NUMBER  
**9925-039-002**



SHADED AREAS ARE REQUIRED WALL OPENINGS

**WALL SLEEVE (-SW)**

- A- INSTALL SLEEVE WITH FLANGE (4) ON CHASE SIDE OF WALL.
- B- TOP AND BOTTOM NOTCHES TO BE LOCATED AT VERTICAL CENTERLINE (2) OF SLEEVE.
- C- SIDE NOTCHES (1) TO BE LOCATED AT 15" ABOVE THE FINISHED CELL SIDE FLOOR (INTEGRAL TOILET SEAT HEIGHT).
- D- SEPARATE SLEEVE (5) FOR FLUSH VALVE PUSHBUTTON TO BE LOCATED 39" ABOVE FINISHED CELL SIDE FLOOR.
- E- WHEN SLEEVES ARE NOT AVAILABLE USE BLOCKOUT DIMENSIONS SHOWN (6).

**INSTALLATION INSTRUCTIONS:**

SLEEVES ARE INSTALLED IN FORMS (USING NAIL HOLES (3) PROVIDED) OR GROUTED INTO BLOCKS WALLS, BECOMING A PERMANENT PART OF THE WALL.

**NOTE:** FOR POURED WALL CONSTRUCTION, TEMPORARY BRACING SHOULD BE INSTALLED WITHIN SLEEVE OPENING TO PREVENT DEFORMATION TO SLEEVE WHICH MAY OCCUR DURING POUR. DO NOT POUR CONCRETE DIRECTLY ON TOP OF WALL SLEEVE.



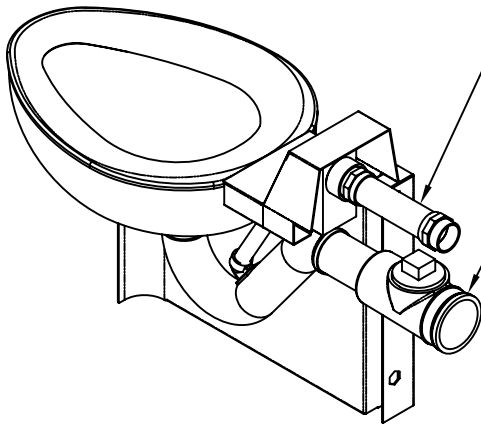
**ACORN ENGINEERING COMPANY**  
P.O. BOX 3527 INDUSTRY, CA. 91744  
(626) 336-4561 FAX (626) 961-2200

TITLE **-SW WALL SLEEVE - CAT. #1696**

MANUFACTURE DATE  
**APRIL 2003**  
**TO PRESENT**

DATE ISSUED  
**04/25/03**  
DATE REVISED

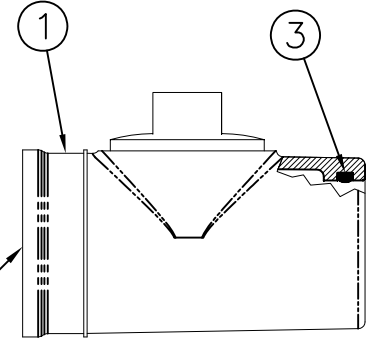
DRAWING NUMBER  
**9925-239-002**



Optional -FVT Flush Valve Thru Wall Connection. Shown For Reference.

Optional -CO1 Waste Fitting. Shown For Reference.

REFERENCE DRAWING	
WASTE CONNECTION WITH CLEANOUT -CO1	9985-125-001

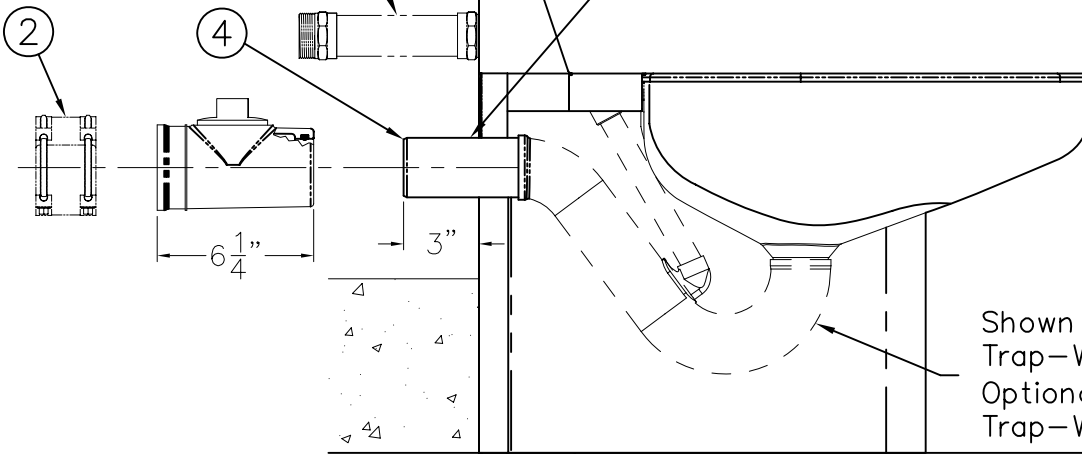


NOTE: Optional -CO1 Waste Fitting Available With 3" or 4" No-Hub

*Scaled: X 2*

Optional -FVT Flush Valve Thru Wall Connection Shown For Reference

Plain End Extends 3" Beyond Back Of Fixture. Optional Extended Waste Is Available -TWE



Shown With 2-3/8" O.D. Trap-Way With Plain End. Optional -WO3 3" O.D. Trap-Way Available.

**MODEL #1653 SHOWN FOR REFERENCE**

**INSTALLATION INSTRUCTIONS**

A-INSERT O-RING ③ INTO GROOVE OF WASTE FITTING ①. LUBRICATE THE O-RING ③ WITH O-RING LUBRICANT.

B-INSTALL WASTE FITTING ① TO FIXTURE P-TRAP WASTE EXTENSION ④. ENGAGEMENT IS APPROXIMATELY 1-1/4". NOTE: TOILET WASTE

EXTENSION ④ IS 3" BEYOND BACK OF FIXTURE. LONGER WASTE EXTENSION IS AVAILABLE.

C-MAKE UP WASTE FITTING CONNECTION TO WASTE PIPING USING NO-HUB (BAND) CONNECTOR ②. BY OTHERS.

**ACORN ENGINEERING COMPANY**  
P.O. BOX 3527 INDUSTRY, CA. 91744  
(626) 336-4561 FAX (626) 961-2200

TITLE <b>NO-HUB WASTE CONNECTION WITH CLEANOUT -CO1</b>		
MANUFACTURE DATE <b>JULY 1975</b> <b>PRESENT</b>	DATE ISSUED <b>1/29/96</b>	DRAWING NUMBER <b>9925-054-001</b>
	DATE REVISED <b>7/21/08</b>	