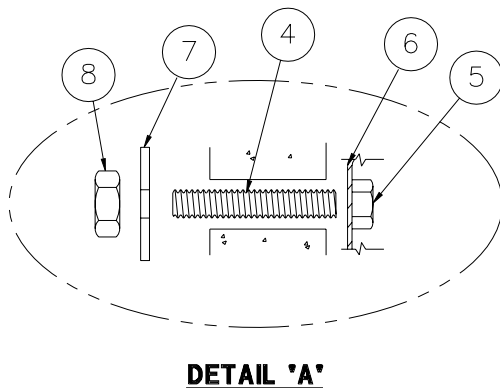
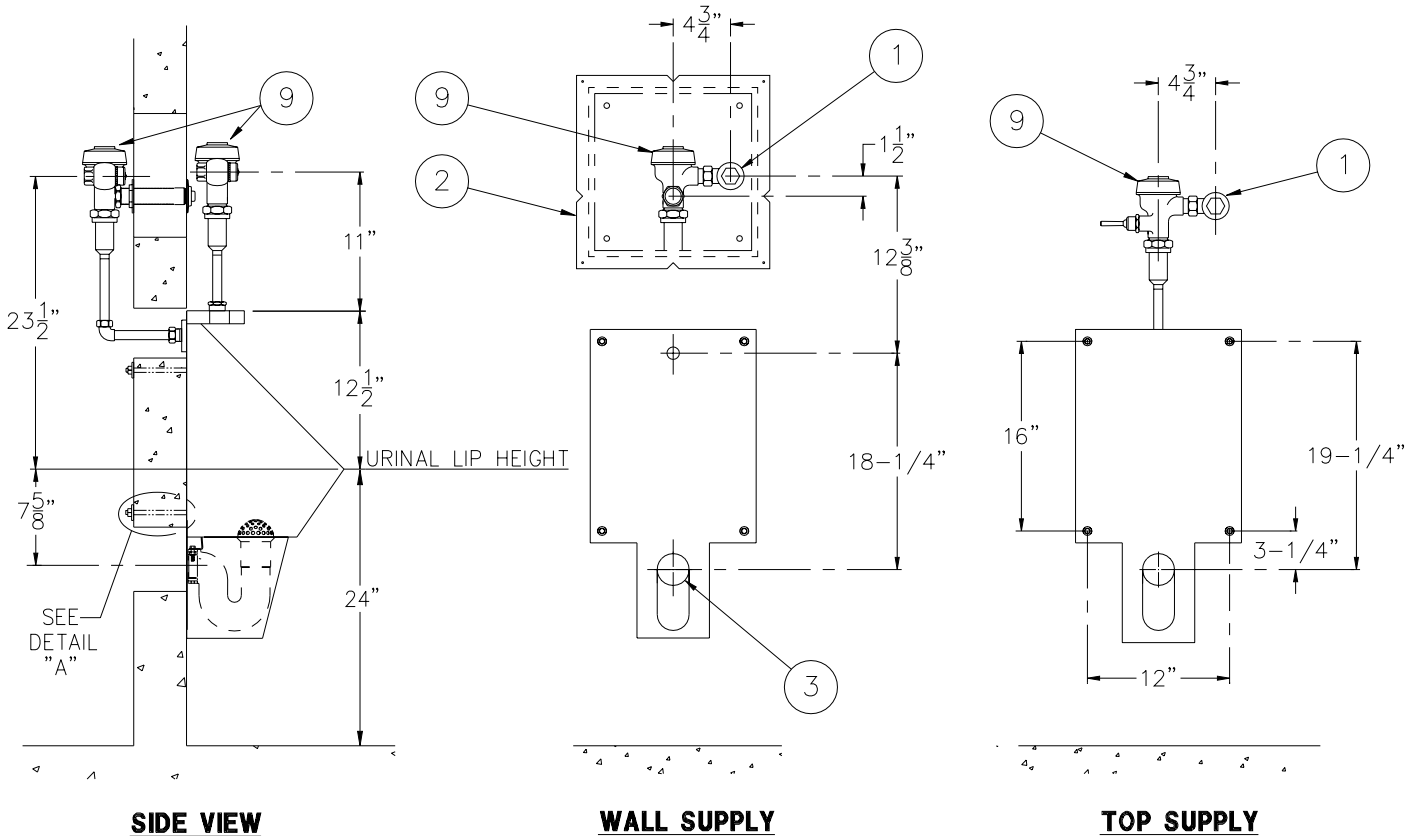




REFERENCE DRAWING	
FLUSH VALVE ACCESS PANEL MODEL NO. 2898	9908-399-001
WALL SLEEVE -W	9925-240-001
WALL SLEEVE -T	9925-241-001



INSTALLATION INSTRUCTIONS

- A- ROUGH-IN FOR FLUSHING INLET 3/4" NPT ① & WASTE OUTLET 2" NPT ③ .
- B- IF AN OPTIONAL 2898 FLUSH VALVE ACCESS PANEL ② IS REQUIRED (FOR BACK SUPPLY FLUSH VALVES), INSTALL SLEEVE. SEE DRAWING #9908-399-001.
- C- MOUNT URINAL TO WALL BY THREADING 1/2"-13 UNC STUDS ④ INTO MOUNTING POINTS ⑤ AT REAR OF FIXTURE ⑥ . STUDS ④ MUST HAVE A MINIMUM 1/2" ENGAGEMENT.
- D- PLACE URINAL ⑥ UP AGAINST THE WALL, SLIDING STUDS ④ THROUGH OPTIONAL -SW WALL SLEEVE OR WALL OPENINGS.
- E- PLACE WASHER ⑦ AND NUTS ⑧ ONTO STUDS ④ TIGHTEN TO 60 FT/LBS.
- F- MAKE-UP URINAL WASTE CONNECTION.
- G- CONNECT FLUSH VALVE ⑨ PER MANUFACTURERS' RECOMMENDATIONS.

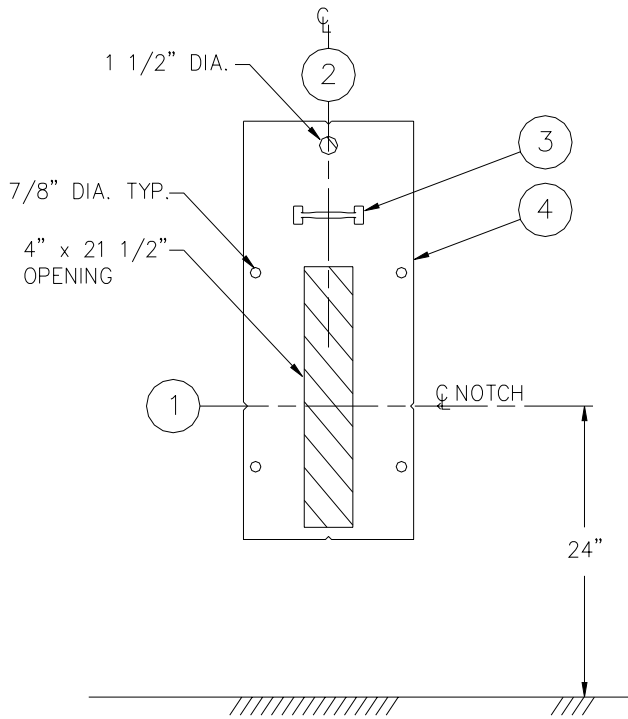
ACORN ENGINEERING COMPANY
 P.O. BOX 3527 INDUSTRY, CA. 91744
 (626) 336-4561 FAX (626) 961-2200

TITLE REAR MOUNT - WASHOUT URINALS CAT. #1702 - NEW STYLE		
MANUFACTURE DATE AUGUST 1975 TO PRESENT	DATE ISSUED 08/30/00	DRAWING NUMBER 9925-072-001
	DATE REVISED	

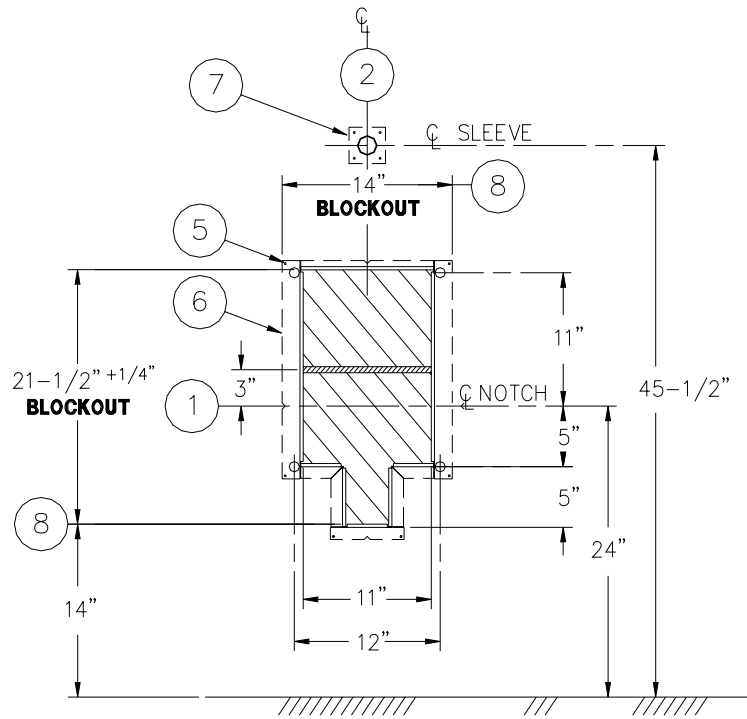


BOTH VIEWS ARE FROM CELL SIDE

SHADED AREAS ARE REQUIRED WALL OPENINGS



METAL TEMPLATE (-MT)



WALL SLEEVE (-SW)

NOTE:

ON POURED WALL CONSTRUCTION, THE PUSHBUTTON SLEEVE, ITEM ⑦ IS CAPPED. THIS CAP MUST BE REMOVED FROM THE CHASE SIDE OF THE WALL, BEFORE INSTALING F.V. PUSHBUTTON

INSTALLATION INSTRUCTIONS

METAL TEMPLATES (-MT)

TEMPLATES ARE USED TO LAYOUT REQUIRED WALL OPENINGS FOR SUBSEQUENT FLAME CUTTING OR CORE DRILLING.

- A- STRIKE A HORIZONTAL CHALKLINE ① ON THE WALL 24" ABOVE FINISHED FLOOR. THIS WILL LOCATE CENTERLINE FOR HORIZONTAL NOTCHES ON TEMPLATE.
- B- STRIKE A VERTICAL CHALKLINE ② ON THE WALL TO INDICATE CENTERLINE OF FIXTURE. THIS WILL LOCATE FOR VERTICAL NOTCHES ON TEMPLATE.
- C- USING HANDLE ③ ON TEMPLATE ④, PLACE TEMPLATE AGAINST THE WALL, LOCATING NOTCHES AT CHALKLINES. MARK FOR WALL OPENINGS.

WALL SLEEVES (-SW)

SLEEVES ARE INSTALLED IN FORMS (USING NAIL HOLES ⑤ PROVIDED) OR GROUTED INTO BLOCK WALLS, BECOMING A PERMANENT PART OF THE WALL.

NOTE: FOR POURED WALL CONSTRUCTION, TEMPORARY BRACING SHOULD BE INSTALLED WITHIN SLEEVE OPENING TO PREVENT DEFORMATION TO SLEEVE WHICH MAY OCCUR DURING POUR. DO NOT POUR CONCRETE DIRECTLY ON TOP OF WALL SLEEVE.

- A- INSTALL SLEEVE WITH FLANGE ⑥ ON CHASE SIDE OF WALL.
- B- TOP AND BOTTOM NOTCHES TO BE LOCATED AT VERTICAL CENTERLINE ② OF SLEEVE.
- C- SIDE NOTCHES ① TO BE LOCATED AT 24" ABOVE THE FINISHED CELL SIDE FLOOR (INTEGRAL TOILET SEAT HEIGHT).
- D- SEPARATE SLEEVE ⑦ FOR FLUSH VALVE PUSHBUTTON; LOCATED 45-1/2" ABOVE FINISHED CELL SIDE FLOOR.
- E- WHEN SLEEVES ARE NOT AVAILABLE USE BLOCKOUT DIMENSIONS SHOWN ⑧.



ACORN ENGINEERING COMPANY
P.O. BOX 3527 INDUSTRY, CA. 91744
(626) 336-4561 FAX (626) 961-2200

TITLE **SLEEVES AND TEMPLATES (CAT. #1700-W & #1702-W)**

MANUFACTURE DATE

FEB 1975
TO PRESENT

DATE ISSUED

3-1-90

DATE REVISED

1/30/96

DRAWING NUMBER

9925-240-001