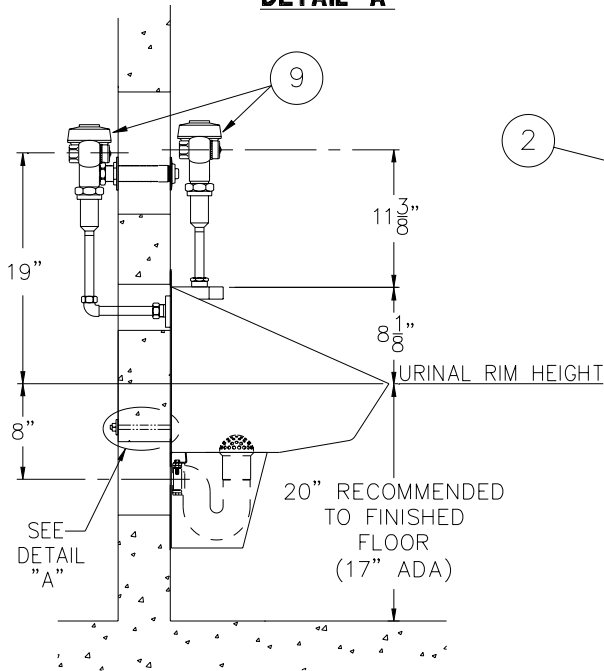
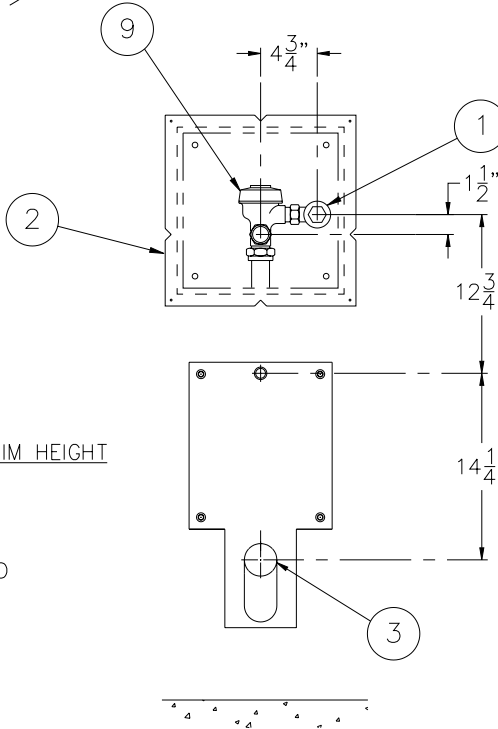


DETAIL 'A'

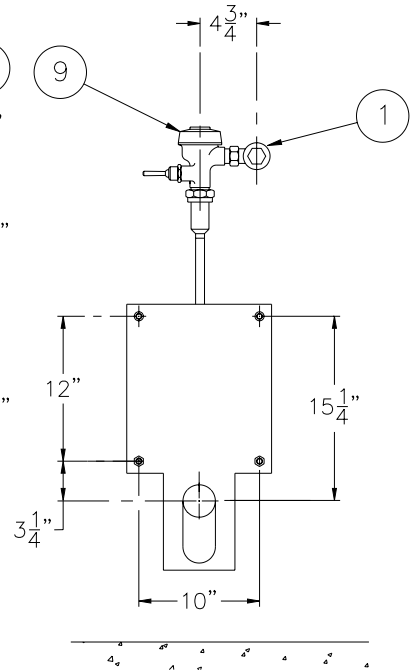
REFERENCE DRAWING	
FLUSH VALVE ACCESS PANEL MODEL NO. 2898	9908-399-001
WALL SLEEVE -W	9925-242-001
WALL SLEEVE -T	9925-243-001



SIDE VIEW



WALL SUPPLY



TOP SUPPLY

INSTALLATION INSTRUCTIONS

- A- ROUGH-IN FOR FLUSHING INLET 3/4" NPT ① & WASTE OUTLET 2" NPT ③ .
- B- IF AN OPTIONAL 2898 FLUSH VALVE ACCESS PANEL ② IS REQUIRED (FOR BACK SUPPLY FLUSH VALVES), INSTALL SLEEVE. SEE DRAWING #9908-399-001.
- C- MOUNT URINAL TO WALL BY THREADING 1/2"-13 UNC STUDS ④ INTO MOUNTING POINTS ⑤ AT REAR OF FIXTURE ⑥ . STUDS ④ MUST HAVE A MINIMUM 1/2" ENGAGEMENT.
- D- PLACE URINAL ⑥ UP AGAINST THE WALL, SLIDING STUDS ④ THROUGH OPTIONAL -SW WALL SLEEVE OR WALL OPENINGS.
- E- PLACE WASHER ⑦ AND NUTS ⑧ ONTO STUDS ④ TIGHTEN TO 60 FT/LBS.
- F- MAKE-UP URINAL WASTE CONNECTION.
- G- CONNECT FLUSH VALVE ⑨ PER MANUFACTURERS' RECOMMENDATIONS.

FOR -ADA MODELS
1- FLUSH VALVE MUST BE HYDRAULICALLY ACTUATED OR SUPPLIED WITH A SPECIAL HANDLE. MAXIMUM CONTROL HEIGHT IS 44" ABOVE FINISHED FLOOR.
2- 20" RIM HEIGHT BECOMES 17" MAXIMUM ALL VERTICAL DIMENSIONS CHANGE ACCORDINGLY.
3- REFER TO A.D.A. ACCESSIBILITY GUIDELINES FOR COMPLETE INSTALLATION REQUIREMENTS.

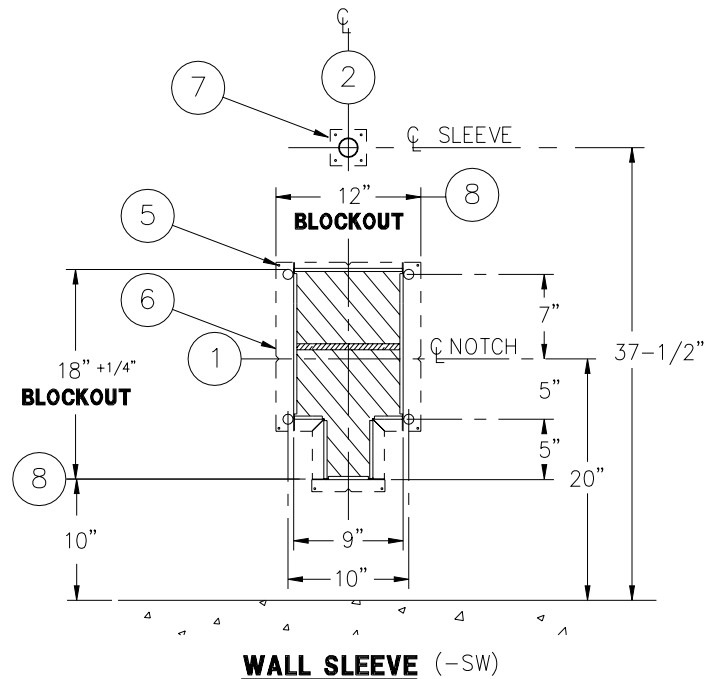
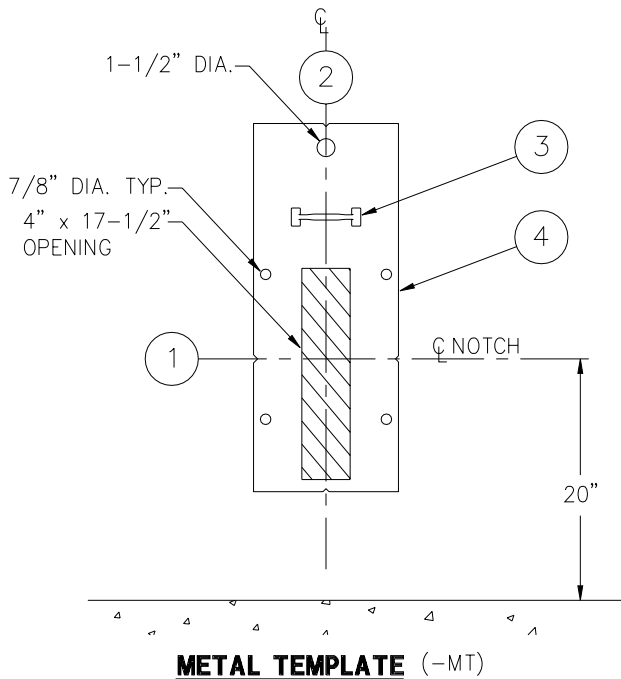
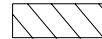


ACORN ENGINEERING COMPANY
P.O. BOX 3527 INDUSTRY, CA. 91744
(626) 336-4561 FAX (626) 961-2200

TITLE		
STRADDLE TYPE WASHOUT URINAL (CAT. #1707) (CAT. #1707-ADA) NEW STYLE		
MANUFACTURE DATE	DATE ISSUED	DRAWING NUMBER
AUGUST 1975	08/29/00	9925-074-001
TO PRESENT	DATE REVISED	



BOTH VIEWS ARE FROM CELL SIDE
 SHADED AREAS ARE REQUIRED WALL OPENINGS



NOTE: WHEN SUFFIX OPTION -A.D.A. IS SPECIFIED;
 20" RIM HEIGHT BECOMES 17" MAXIMUM ALL VERTICAL
 DIMENSIONS CHANGE ACCORDINGLY.

NOTE:
 ON POURED WALL CONSTRUCTION, THE PUSHBUTTON SLEEVE,
 ITEM ⑦ IS CAPPED. THIS CAP MUST BE REMOVED FROM THE
 CHASE SIDE OF THE WALL, BEFORE INSTALING F.V. PUSHBUTTON

INSTALLATION INSTRUCTIONS

METAL TEMPLATES (-MT)

TEMPLATES ARE USED TO LAYOUT REQUIRED WALL OPENINGS
 FOR SUBSEQUENT FLAME CUTTING OR CORE DRILLING.

- A- STRIKE A HORIZONTAL CHALKLINE ① ON THE WALL
 20" ABOVE FINISHED FLOOR. THIS WILL LOCATE
 CENTERLINE FOR HORIZONTAL NOTCHES ON TEMPLATE.
- B- STRIKE A VERTICAL CHALKLINE ② ON THE WALL TO
 INDICATE CENTERLINE OF FIXTURE. THIS WILL LOCATE
 FOR VERTICAL NOTCHES ON TEMPLATE.
- C- USING HANDLE ③ ON TEMPLATE ④, PLACE TEMPLATE
 AGAINST THE WALL, LOCATING NOTCHES AT CHALKLINES.
 MARK FOR WALL OPENINGS.

WALL SLEEVES (-SW)

SLEEVES ARE INSTALLED IN FORMS (USING NAIL HOLES ⑤
 PROVIDED) OR GROUTED INTO BLOCK WALLS, BECOMING A
 PERMANENT PART OF THE WALL.

NOTE: FOR POURED WALL CONSTRUCTION, TEMPORARY BRACING
 SHOULD BE INSTALLED WITHIN SLEEVE OPENING TO PREVENT
 DEFORMATION TO SLEEVE WHICH MAY OCCUR DURING POUR.
 DO NOT POUR CONCRETE DIRECTLY ON TOP OF WALL SLEEVE.

- A- INSTALL SLEEVE WITH FLANGE ⑥ ON CHASE
 SIDE OF WALL.
- B- TOP AND BOTTOM NOTCHES TO BE LOCATED AT VERTICAL
 CENTERLINE ② OF SLEEVE.
- C- SIDE NOTCHES ① TO BE LOCATED AT 20" ABOVE THE
 FINISHED CELL SIDE FLOOR.
- D- SEPARATE SLEEVE ⑦ FOR FLUSH VALVE PUSHBUTTON;
 LOCATED 37-1/2" ABOVE FINISHED CELL SIDE FLOOR.
- E- WHEN SLEEVES ARE NOT AVAILABLE USE BLOCKOUT
 DIMENSIONS SHOWN ⑧.



ACORN ENGINEERING COMPANY
 P.O. BOX 3527 INDUSTRY, CA. 91744
 (626) 336-4561 FAX (626) 961-2200

TITLE **SLEEVES AND TEMPLATES (CAT. *1705-W & *1707-W) (CAT. *1705-VAC)**

MANUFACTURE DATE

FEB 1975
TO PRESENT

DATE ISSUED

3-1-90

DATE REVISED

4/7/98

DRAWING NUMBER

9925-242-001