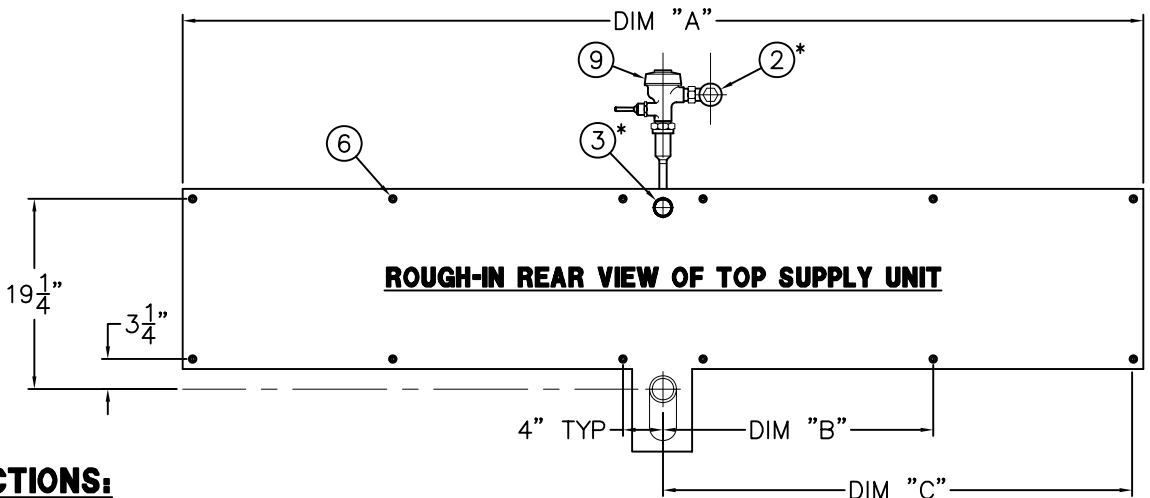


MODEL NUMBER	1713	1714	1715	1716	1718
DIMENSION "A"	36"	48"	60"	72"	96"
DIMENSION "B"	17"	23"	29"	20"	27"
DIMENSION "C"				35"	47"
FLUSHING INLET ③*	*3/4"	*3/4"	*3/4"	*3/4"	*3/4"



**INSTALLATION INSTRUCTIONS:**

- A- ROUGH-IN FOR THE FOLLOWING:
  - -WASTE OUTLET 2" NPT ①.
  - FLUSH VALVE INLET 3/4" NPT ②\* (3.5 GPF OR 1716-CFR & 1718-CFR 1" NPT).
  - FIXTURE FLUSHING INLET 3/4" NPT ③\* (3.5 GPF OR 1716-CFR & 1718-CFR 1-1/2" NPT).
- B- IF AN OPTIONAL 2898 FLUSH VALVE ACCESS ④ PANEL IS REQUIRED (FOR -W WALL SUPPLY FLUSH VALVES), SEE DRAWING #9908-399-001.
- C- THREAD 1/2"-13 UNC STUDS ⑤ INTO MOUNTING POINTS ⑥ AT REAR OF FIXTURE. STUDS ⑤ MUST HAVE A MINIMUM 1/2" ENGAGEMENT.
- D- ALIGN STUDS ⑤ WITH WALL OPENINGS OR WITH OPTIONAL -SW WALL SLEEVE & POSITION AGAINST WALL.

REFERENCE DRAWINGS	
2898 FV ACCESS PANEL	9908-399-001
SW WALL SLEEVE -W	9925-245-001
SW WALL SLEEVE -T	9925-244-001

- E- ON CHASE SIDE, ASSEMBLE WASHERS ⑦ AND NUTS ⑧ ONTO STUDS ⑤ & TIGHTEN TO 60 FT/LBS.
- F- MAKE UP WASTE CONNECTION ① TO 2" NPT WASTE OUTLET.
- G- CONNECT FLUSH VALVE ⑨ PER MANUFACTURER'S MANUFACTURER'S RECOMMENDATIONS.

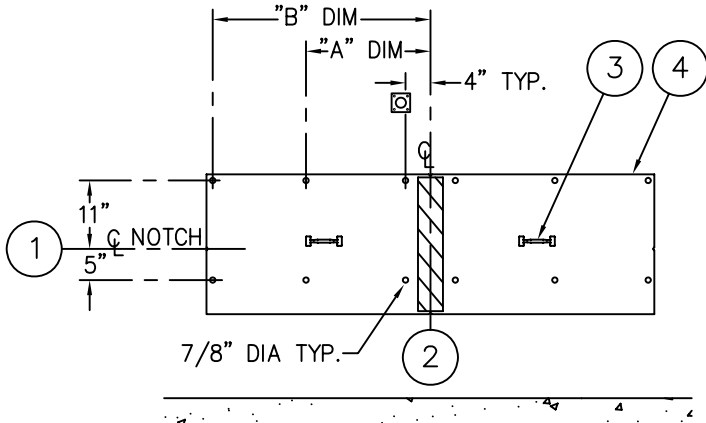
\*NOTE: 2176-CFR AND 2178-CFR OR WHEN USING WITH 3.5 FLUSH VALVE, ②\* FLUSH VALVE SUPPLY IS 1" NPT AND FLUSHING INLET ③\* IS 1-1/2" NPT.



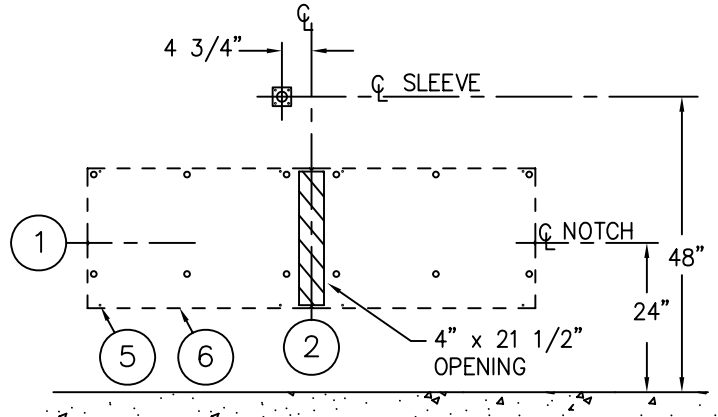
TITLE		
<b>MULTI-PERSON WASHOUT URINAL CAT. #1713 THRU #1718 NEW STYLE</b>		
MANUFACTURE DATE	DATE ISSUED	DRAWING NUMBER
<b>FEBRUARY 1975</b>	<b>04/05/00</b>	<b>9925-076-001</b>
<b>TO PRESENT</b>	DATE REVISED	
	<b>09/04/08</b>	



**BOTH VIEWS ARE FROM CELL SIDE**  
 SHADED AREAS ARE REQUIRED WALL OPENINGS



**METAL TEMPLATE (-MT)**



**WALL SLEEVE (-SW)**

CATALOG NO.	"A" DIM	"B" DIM
1713-T	17"	---
1714-T	23"	---
1715-T	29"	---
1716-T	20"	35"
1718-T	27"	47"

**NOTE:**

ON POURED WALL CONSTRUCTION, THE PUSHBUTTON SLEEVE, ITEM ⑦ IS CAPPED. THIS CAP MUST BE REMOVED FROM THE CHASE SIDE OF THE WALL, BEFORE INSTALING F.V. PUSHBUTTON

**INSTALLATION INSTRUCTIONS**

**METAL TEMPLATES (-MT)**

TEMPLATES ARE USED TO LAYOUT REQUIRED WALL OPENINGS FOR SUBSEQUENT FLAME CUTTING OR CORE DRILLING.

- A- STRIKE A HORIZONTAL CHALKLINE ① ON THE WALL 24" ABOVE FINISHED FLOOR. THIS WILL LOCATE CENTERLINE FOR HORIZONTAL NOTCHES ON TEMPLATE.
- B- STRIKE A VERTICAL CHALKLINE ② ON THE WALL TO INDICATE CENTERLINE OF FIXTURE. THIS WILL LOCATE FOR VERTICAL NOTCHES ON TEMPLATE.
- C- USING HANDLE ③ ON TEMPLATE ④, PLACE TEMPLATE AGAINST THE WALL, LOCATING NOTCHES AT CHALKLINES. MARK FOR WALL OPENINGS.
- D- SEPARATE SLEEVE ⑦ FOR FLUSH VALVE PUSHBUTTON; LOCATED 48" ABOVE FINISHED CELL SIDE FLOOR.

**WALL SLEEVES (-SW)**

SLEEVES ARE INSTALLED IN FORMS (USING NAIL HOLES ⑤ PROVIDED) OR GROUTED INTO BLOCK WALLS, BECOMING A PERMANENT PART OF THE WALL.

**NOTE:** FOR POURED WALL CONSTRUCTION, TEMPORARY BRACING SHOULD BE INSTALLED WITHIN SLEEVE OPENING TO PREVENT DEFORMATION TO SLEEVE WHICH MAY OCCUR DURING POUR. DO NOT POUR CONCRETE DIRECTLY ON TOP OF WALL SLEEVE.

- A- INSTALL SLEEVE WITH FLANGE ⑥ ON CHASE SIDE OF WALL.
- B- TOP AND BOTTOM NOTCHES TO BE LOCATED AT VERTICAL CENTERLINE ② OF SLEEVE.
- C- SIDE NOTCHES ① TO BE LOCATED AT 24" ABOVE THE FINISHED CELL SIDE FLOOR (URINAL LIP HEIGHT).
- D- SEPARATE SLEEVE ⑦ FOR FLUSH VALVE PUSHBUTTON; LOCATED 48" ABOVE FINISHED CELL SIDE FLOOR.

**ACORN ENGINEERING COMPANY**  
 P.O. BOX 3527 INDUSTRY, CA. 91744  
 (626) 336-4561 FAX (626) 961-2200

TITLE **SLEEVES AND TEMPLATES (CAT. #1713, 1714, 1715, 1716 & 1718)**

MANUFACTURE DATE

**FEB 1975**  
**TO PRESENT**

DATE ISSUED

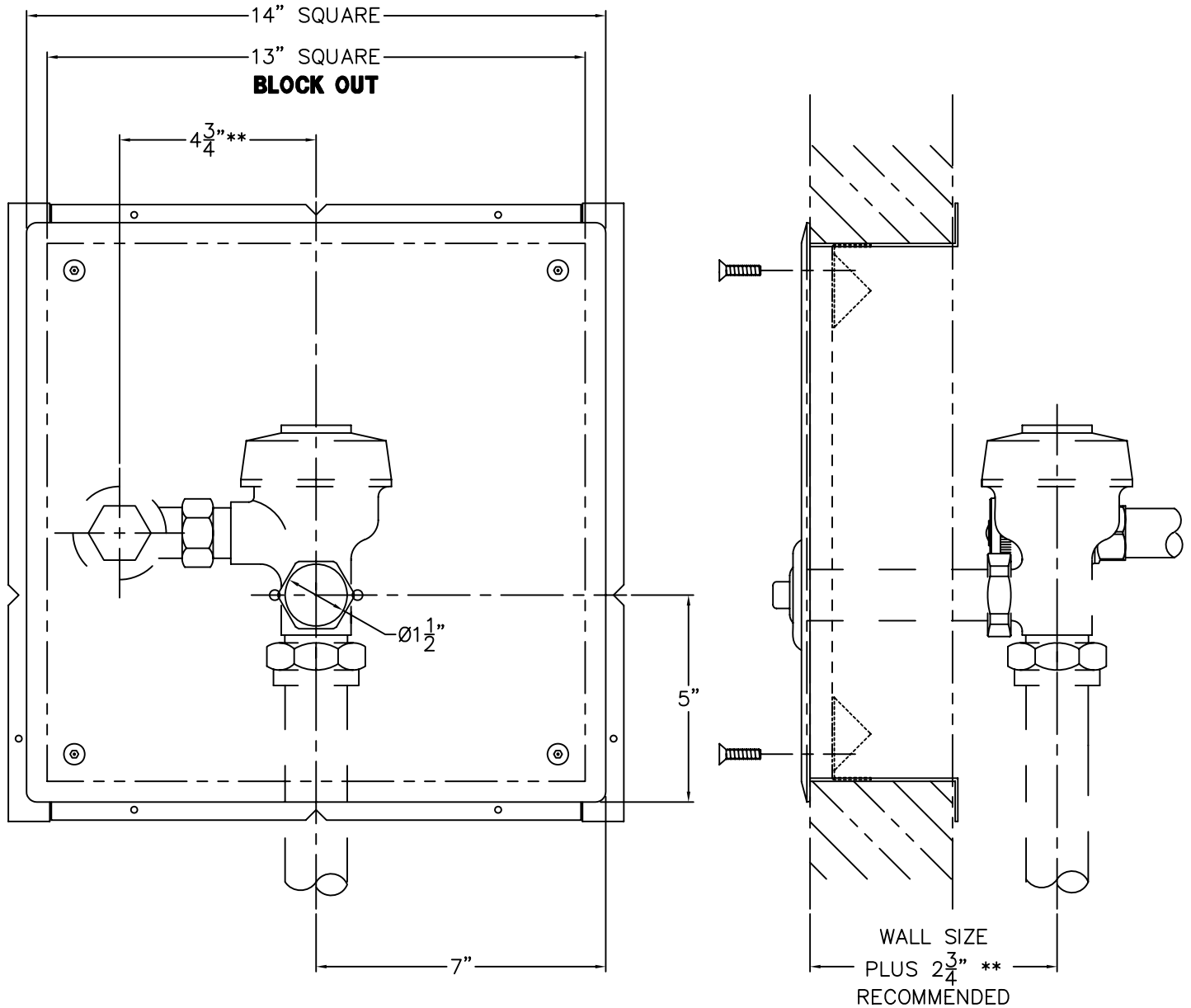
**3-1-90**

DATE REVISED

**09/01/00**

DRAWING NUMBER

**9925-244-001**



\*\* NOTE: FLUSH VALVE SHOWN FOR REFERENCE ONLY. INSTALL FLUSH VALVE IN ACCORDANCE TO FLUSH VALVE MANUFACTURER'S INSTALLATION SHEETS.

**INSTALLATION INSTRUCTIONS**

SLEEVES ARE INSTALLED IN FORMS (USING NAIL HOLES PROVIDED) OR GROUTED INTO BLOCK WALLS, BECOMING A PERMANENT PART OF THE WALL. FRONT OF PANEL SHOULD BE FLUSH WITH FINISHED WALL.

A- INSTALL SLEEVE WITH FLANGE ON PIPE CHASE SIDE OF WALL.

B- LOCATE TOP AND BOTTOM NOTCHES AND MARK VERTICAL CENTERLINE FOR FLUSH VALVE PUSHBUTTON.

C- LOCATE SIDE NOTCHES AND MARK HORIZONTAL CENTERLINE FOR FLUSH VALVE PUSHBUTTON.

D- ATTACH COVER TO ACCESS PANEL WITH (4) 1/4"-20 x 1" TAMPER-RESISTANT STAINLESS STEEL SCREWS PROVIDED. REFERENCE DRAWING NO. 9951-005-001



ACORN ENGINEERING COMPANY  
P.O. BOX 3527 INDUSTRY, CA. 91744  
(626) 336-4561 FAX (626) 961-2200

TITLE **FLUSH VALVE ACCESS PANEL, MODEL 2898**

MANUFACTURE DATE  
**JANUARY 1973**  
**TO PRESENT**

DATE ISSUED  
**06/01/90**  
DATE REVISED  
**07/19/07**

DRAWING NUMBER  
**9908-399-001**