

INSTALLATION INSTRUCTIONS:

- A- PRIOR TO INSTALLATION OF THE SHOWER PANEL (1), MOUNT PUSHBUTTON (2) & ESCUTCHEON (3) TO THE PANEL.
- B- HAND TIGHTEN (6) MOUNTING STUDS (4) INTO NUTS (5) ON BACK OF SHOWER PANEL (1). PLACE SHOWER PANEL AGAINST WALL OPENING. FROM CHASE SIDE, MOUNT BACK PLATES (6) ONTO STUDS; ATTACH WITH NUTS AND WASHERS (7). NOTE: DO NOT EXCEED 6.5 FT/LBS MAXIMUM TORQUE ON MOUNTING NUTS (7).
- C- MOUNT AIR-CONTROL VALVE ASSEMBLY (8) AS REQUIRED WITHIN 10 FEET OF THE PUSHBUTTON.
- D- INSTALL RISER TUBING (9). ATTACH TO SHOWER HEAD (10) AND VALVE COMPRESSION FITTING (11) USING FERRULE NUTS PROVIDED. TIGHTEN WATERTIGHT.

- E- CONNECT 1/8" O.D. AIR TUBING (12) FROM PUSHBUTTON (2) TO AIR-CONTROL SERVOMOTOR (13) USING FERRULE NUTS PROVIDED. HAND TIGHTEN. SEE DETAIL "A".
- F- AFTER THOROUGHLY FLUSHING THE SUPPLY LINES, MAKE-UP SUPPLY CONNECTIONS (1/2" NPS FEMALE). THREAD FLEX CONNECTOR HOSE (14) FROM VALVE INLET TO SUPPLY STUBOUTS. (NOTE: SUPPLY INLET CONNECTION WILL ACCOMMODATE 1/2" NPT MALE ADAPTER.)
- G- SEE APPROPRIATE SERVOMOTOR REFERENCE DRAWINGS FOR DETAILS AND TIMING INSTRUCTIONS.

NOTE:

MAXIMUM RECOMMENDED WORKING PRESSURE IS 100 PSI; TEMPERATURE IS 130°F; OUTLET TEMPERATURE IS RECOMMENDED AT A MAXIMUM OF 105°F.

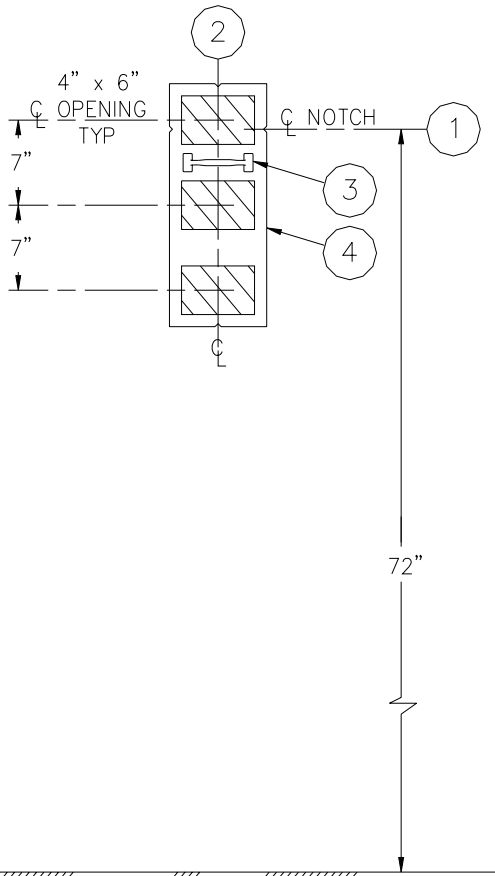
WARNING:

PRIOR TO MAKING INSTALLATION, SUPPLY LINES MUST BE FLUSHED OF ALL FOREIGN MATERIAL SUCH AS PIPE DOPE, CHIPS, ETC. VALVE MUST BE DRAINED PRIOR TO BEING SUBJECTED TO FREEZING TEMPERATURES. MAXIMUM RECOMMENDED OUTLET WATER TEMPERATURE IS 105°F.

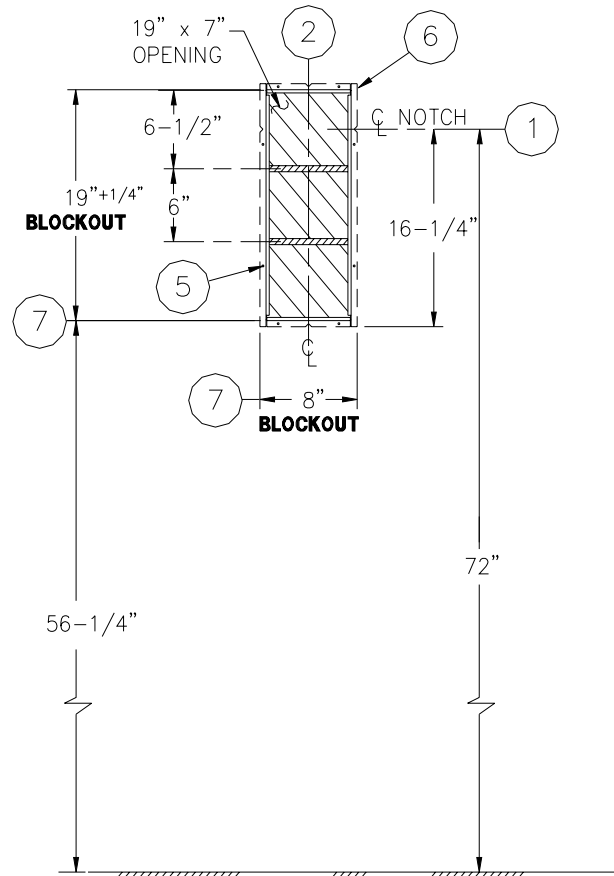
<p>ACORN ENGINEERING COMPANY P.O. BOX 3527 INDUSTRY, CA. 91744 (626) 336-4561 FAX (626) 961-2200</p>	<p>TITLE PENAL-PAK WALL SHOWERS W/AIR-CONTROL VALVE CAT# 1741-3 -NEW STYLE</p>	
	<p>MANUFACTURE DATE</p> <p>SEPT 1995</p> <p>TO PRESENT</p>	<p>DATE ISSUED</p> <p>11/2/95</p> <p>DATE REVISED</p> <p>09/30/99</p>



BOTH VIEWS ARE FROM CELL SIDE
 SHADED AREAS ARE REQUIRED WALL OPENINGS



METAL TEMPLATE (-MT)



WALL SLEEVE (-SW)

INSTALLATION INSTRUCTIONS

METAL TEMPLATES (-MT)

TEMPLATES ARE USED TO LAYOUT REQUIRED WALL OPENINGS FOR SUBSEQUENT FLAME CUTTING OR CORE DRILLING.

- A- STRIKE A HORIZONTAL CHALKLINE ① ON THE WALL 72" ABOVE FINISHED FLOOR. THIS WILL LOCATE CENTERLINE FOR HORIZONTAL NOTCHES ON TEMPLATE.
- B- STRIKE A VERTICAL CHALKLINE ② ON THE WALL TO INDICATE CENTERLINE OF FIXTURE. THIS WILL LOCATE FOR VERTICAL NOTCHES ON TEMPLATE.
- C- USING HANDLE ③ ON TEMPLATE ④, PLACE TEMPLATE AGAINST THE WALL, LOCATING NOTCHES AT CHALKLINES. MARK FOR WALL OPENINGS.

WALL SLEEVES (-SW)

SLEEVES ARE INSTALLED IN FORMS (USING NAIL HOLES ⑤ PROVIDED) OR GROUTED INTO BLOCK WALLS, BECOMING A PERMANENT PART OF THE WALL.

NOTE: FOR POURED WALL CONSTRUCTION, TEMPORARY BRACING SHOULD BE INSTALLED WITHIN SLEEVE OPENING TO PREVENT DEFORMATION TO SLEEVE WHICH MAY OCCUR DURING POUR. DO NOT POUR CONCRETE DIRECTLY ON TOP OF WALL SLEEVE.

- A- INSTALL SLEEVE WITH FLANGE ⑥ ON CHASE SIDE OF WALL.
- B- TOP AND BOTTOM NOTCHES TO BE LOCATED AT VERTICAL CENTERLINE ② OF SLEEVE.
- C- SIDE NOTCHES ① TO BE LOCATED AT 72" ABOVE THE FINISHED CELL SIDE FLOOR (SHOWER HEAD DISCHARGE HEIGHT).
- D- WHEN SLEEVES ARE NOT AVAILABLE USE BLOCKOUT DIMENSIONS SHOWN ⑦.



ACORN ENGINEERING COMPANY
 P.O. BOX 3527 INDUSTRY, CA. 91744
 (626) 336-4561 FAX (626) 961-2200

TITLE **SLEEVES AND TEMPLATES (CAT. #1741-1 & #1741-3) SINGLE TEMP**

MANUFACTURE DATE
JUNE 1971
TO PRESENT

DATE ISSUED
3-1-90
 DATE REVISED
1/30/96

DRAWING NUMBER
9925-260-001