

REFERENCE DRAWINGS			
VALVE BODY	9955-005-003	ELECTRICAL COMPONENTS	
STOPS	9956-040-003	VALVE CONTROLLER	9955-025-001
FIXTURE TRIM	9957-300-001	SOLENOID VALVE	9955-020-002
SHOWER HEAD	9970-000-003	TRANSFORMER	9955-020-002
MOUNTING HDWR.	9957-900-001	WIRING COMPONENTS	9955-020-002
-SW SLEEVE/-MT TEMPLATE	9925-263-001		

INSTALLATION INSTRUCTIONS:

- A- PRIOR TO INSTALLATION OF THE SHOWER PANEL (1), MOUNT PUSHBUTTONS (2) TO THE PANEL.
- B- HAND TIGHTEN (6) MOUNTING STUDS (3) INTO NUTS (4) ON THE BACK OF SHOWER PANEL (1). PLACE SHOWER PANEL AGAINST WALL OPENING. FROM CHASE SIDE, MOUNT BACK PLATES (5) ONTO STUDS; ATTACH WITH NUTS & WASHERS (6). NOTE: DO NOT EXCEED 6.5 FT/LBS MAXIMUM TORQUE ON MOUNTING NUTS (6).
- C- MOUNT SOLENOID VALVE ASSEMBLY (7) AS REQUIRED WITHIN 10 FEET OF THE FIXTURE. WALL FASTENERS BY OTHERS.
- D- MOUNT VALVE CONTROLLERS (8) AS REQUIRED WITHIN 100 FEET OF THE PUSHBUTTON. CONNECT 1/8" O.D. POLYETHYLENE AIR LINES (9) FROM PUSHBUTTONS (2) TO CONTROLLERS (8) POSITIONS MARKED "ACTUATOR". HAND TIGHTEN THE FERRULE NUTS AT PUSHBUTTONS. SEE DETAIL "A".

- E- CONNECT 1/4" O.D. RISER TUBING (10) FROM SHOWER HEAD (11) TO VALVE ASSEMBLY (7) OUTLET. TIGHTEN THE FERRULE NUTS PROVIDED WATERTIGHT.
- H- CONNECT WIRES (12) (MARKED "VALVE") FROM CONTROLLER TO WIRES (13) FROM SOLENOID VALVES (14). ASSEMBLE USING THE WIRE CONNECTORS PROVIDED. EXTENSION WIRE MAY BE INCLUDED - IF ORDERED.
- I- CONNECT WIRES (15) FROM TRANSFORMER (24VAC) (16) TO VALVE CONTROLLERS (8) IN PARALLEL. ASSEMBLE USING THE WIRE CONNECTORS PROVIDED. EXTENSION WIRES FROM THE TRANSFORMER MAY BE INCLUDED - IF ORDERED.
- J- AFTER THOROUGHLY FLUSHING THE SUPPLY LINES, MAKE-UP SUPPLY CONNECTION (1/2" NPS FEMALE). THREAD THE FLEX CONNECTOR HOSE (17) FROM THE VALVE INLET TO SUPPLY STUB-OUT. (NOTE: THE SUPPLY INLET CONNECTION WILL ACCOMMODATE 1/2" NPT MALE ADAPTER.)
- K- SET TIMING ON THE VALVE CONTROLLER (8) AT DESIRED SETTING FOR FLOW DURATION.



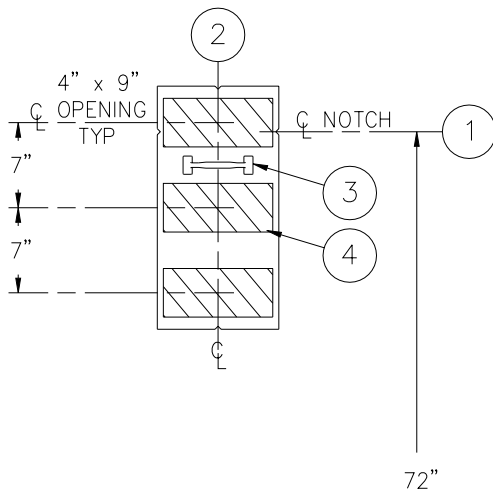
ACORN ENGINEERING COMPANY
 P.O. BOX 3527 INDUSTRY, CA. 91744
 (626) 336-4561 FAX (626) 961-2200

TITLE PENAL-PAK WALL SHOWERS - HOT & COLD TIME-TROL - CAT. #1741-MVC2		
MANUFACTURE DATE SEPT 1995 TO PRESENT	DATE ISSUED 06/20/95	DRAWING NUMBER 9905-216-002
	DATE REVISED 11/10/03	

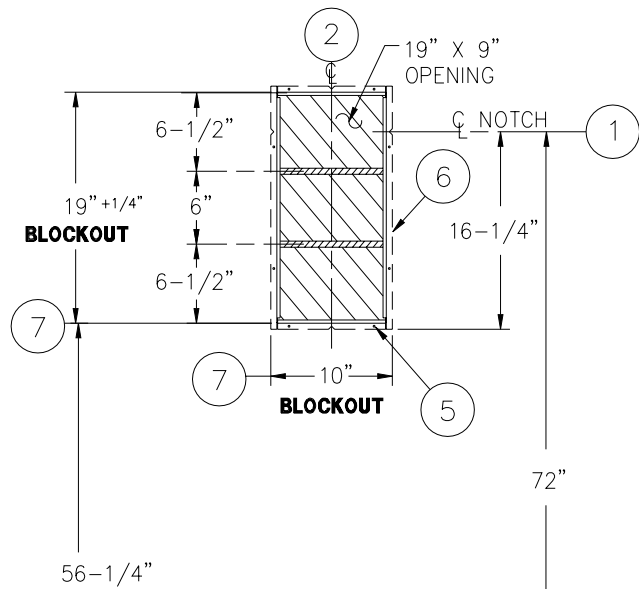


BOTH VIEWS ARE FROM CELL SIDE

SHADED AREAS ARE REQUIRED WALL OPENINGS



METAL TEMPLATE (-MT)



WALL SLEEVE (-SW)

INSTALLATION INSTRUCTIONS

METAL TEMPLATES (-MT)

TEMPLATES ARE USED TO LAYOUT REQUIRED WALL OPENINGS FOR SUBSEQUENT FLAME CUTTING OR CORE DRILLING.

- A- STRIKE A HORIZONTAL CHALKLINE ① ON THE WALL 72" ABOVE FINISHED FLOOR. THIS WILL LOCATE CENTERLINE FOR HORIZONTAL NOTCHES ON TEMPLATE.
- B- STRIKE A VERTICAL CHALKLINE ② ON THE WALL TO INDICATE CENTERLINE OF FIXTURE. THIS WILL LOCATE FOR VERTICAL NOTCHES ON TEMPLATE.
- C- USING HANDLE ③ ON TEMPLATE ④, PLACE TEMPLATE AGAINST THE WALL, LOCATING NOTCHES AT CHALKLINES. MARK FOR WALL OPENINGS.

WALL SLEEVES (-SW)

SLEEVES ARE INSTALLED IN FORMS (USING NAIL HOLES ⑤ PROVIDED) OR GROUTED INTO BLOCK WALLS, BECOMING A PERMANENT PART OF THE WALL.

NOTE: FOR POURED WALL CONSTRUCTION, TEMPORARY BRACING SHOULD BE INSTALLED WITHIN SLEEVE OPENING TO PREVENT DEFORMATION TO SLEEVE WHICH MAY OCCUR DURING POUR. DO NOT POUR CONCRETE DIRECTLY ON TOP OF WALL SLEEVE.

- A- INSTALL SLEEVE WITH FLANGE ⑥ ON CHASE SIDE OF WALL.
- B- TOP AND BOTTOM NOTCHES TO BE LOCATED AT VERTICAL CENTERLINE ② OF SLEEVE.
- C- SIDE NOTCHES ① TO BE LOCATED AT 72" ABOVE THE FINISHED CELL SIDE FLOOR (SHOWER HEAD DISCHARGE HEIGHT).
- D- WHEN SLEEVES ARE NOT AVAILABLE USE BLOCKOUT DIMENSIONS SHOWN ⑦.



ACORN ENGINEERING COMPANY
P.O. BOX 3527 INDUSTRY, CA. 91744
(626) 336-4561 FAX (626) 961-2200

TITLE

SLEEVES AND TEMPLATES (CAT. #1741-2 & #1741-4) H & C

MANUFACTURE DATE

**DEC 1981
TO PRESENT**

DATE ISSUED

3-1-90

DATE REVISED

1/30/96

DRAWING NUMBER

9925-263-001