

**INSTALLATION INSTRUCTIONS:**

- A- PRIOR TO INSTALLATION OF PUSHBUTTON PANEL (1), MOUNT PUSHBUTTON (2), ESCUTCHEON (3) AND THE ESCUTCHEON RETAINER (4) TO THE PANEL. HAND TIGHTEN (2) MOUNTING STUDS (6) INTO NUTS (20) ON BACK OF VALVE PANEL (1). THREAD PUSHROD SLAVE ASSY. (5) INTO RETAINER NUT (4).
- B- HAND TIGHTEN (4) MOUNTING STUDS (6) INTO BACK OF FLANGED SHOWER HEAD (9). INSTALL 1/4" RISER TUBING (12). HOLD SHOWER HEAD AGAINST WALL. FROM CHASE SIDE, PLACE BACK PLATE (7) OVER STUDS (6). SCREW NUTS & WASHERS (8) ONTO EACH STUD. TIGHTEN AGAINST BACK PLATE (7).
- C- HOLD VALVE PANEL (1) AGAINST WALL. FROM CHASE SIDE, PLACE VALVE SUPPORT PLATE (17) OVER STUDS; ATTACH WITH NUTS & WASHERS (8). NOTE: DO NOT EXCEED 6.5 FT/LBS MAXIMUM TORQUE ON MOUNTING NUTS (8). PLACE CONDUIT NUT (18) ON PUSHROD SLAVE (5) AND TIGHTEN.
- D- MOUNT AIR-CONTROL VALVE ASSEMBLY (11) AS REQUIRED WITHIN 10 FEET OF THE PUSHBUTTON.
- E- TO ADJUST PUSHBUTTON ASSEMBLY, LOOSEN THE LOCKNUT (10) AND ROTATE THE ADJUSTING SLAVE (19) AS REQUIRED. WHEN PROPERLY ADJUSTED THERE WILL BE NO PLAY AND ONLY MINOR TENSION AT THE BUTTON.

- F- CONNECT RISER TUBING (12) TO VALVE (13).
- G- CONNECT 1/8" O.D. AIR TUBING (14) FROM PUSHBUTTON TO AIR-CONTROL SERVOMOTOR (15) USING FERRULE NUTS PROVIDED. HAND TIGHTEN. SEE DETAIL "A".
- H- AFTER THOROUGHLY FLUSHING THE SUPPLY LINES, MAKE-UP SUPPLY CONNECTIONS (1/2" NPS FEMALE). THREAD FLEX CONNECTOR HOSE (16) FROM VALVE INLET TO SUPPLY STUBOUTS. (NOTE: SUPPLY INLET CONNECTION WILL ACCOMMODATE 1/2" NPT MALE ADAPTER.)
- I- SEE APPROPRIATE SERVOMOTOR REFERENCE DRAWINGS FOR DETAILS AND TIMING INSTRUCTIONS.

**NOTE:**  
 MAXIMUM RECOMMENDED WORKING PRESSURE IS 100 PSI; TEMPERATURE IS 130°F; OUTLET TEMPERATURE IS RECOMMENDED AT A MAXIMUM OF 105°F.

**WARNING:**  
 PRIOR TO MAKING INSTALLATION, SUPPLY LINES MUST BE FLUSHED OF ALL FOREIGN MATERIAL SUCH AS PIPE DOPE, CHIPS, ETC. VALVE MUST BE DRAINED PRIOR TO BEING SUBJECTED TO FREEZING TEMPERATURES. MAXIMUM RECOMMENDED OUTLET WATER TEMPERATURE IS 105°F.

REFERENCE DRAWINGS	
ASSEMBLIES	NUMBERS
-D SOAP DISH	9925-130-001
-3 VALVE BODY	9955-006-003
STOP	9956-040-003
-M METERING SERVOMOTOR	9955-000-002
SHOWER HEAD	9970-002-004
MOUNTING HDWR.	9957-900-001
-SW SLEEVE/-MT TEMPLATE	9925-261-001

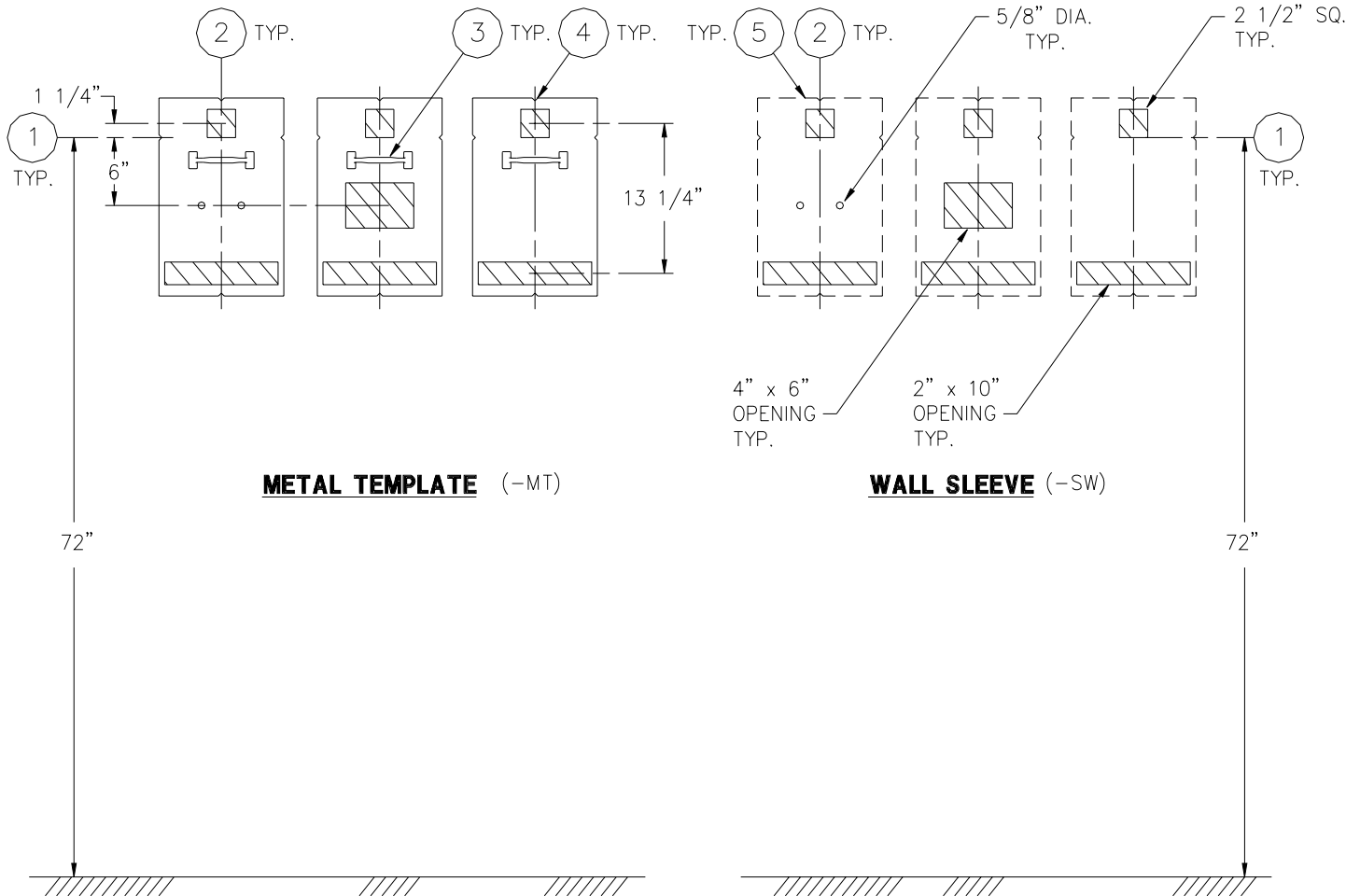
<p><b>ACORN ENGINEERING COMPANY</b>                  P.O. BOX 3527 INDUSTRY, CA. 91744                  (626) 336-4561 FAX (626) 961-2200</p>	<p>TITLE <b>PENAL SHOWERS WALL MOUNTED - SINGLE TEMP. AIR-CONTROL - 1743-3</b></p>		
	<p>MANUFACTURE DATE</p> <p><b>JANUARY 1985</b></p> <p><b>TO PRESENT</b></p>	<p>DATE ISSUED</p> <p><b>5-22-96</b></p>	<p>DRAWING NUMBER</p> <p><b>9925-123-001</b></p>
		<p>DATE REVISED</p> <p><b>01/19/04</b></p>	





**BOTH VIEWS ARE FROM CELL SIDE**

SHADED AREAS ARE REQUIRED WALL OPENINGS



**METAL TEMPLATE (-MT)**

**WALL SLEEVE (-SW)**

**INSTALLATION INSTRUCTIONS**

**METAL TEMPLATES (-MT)**

TEMPLATES ARE USED TO LAYOUT REQUIRED WALL OPENINGS FOR SUBSEQUENT FLAME CUTTING OR CORE DRILLING.

- A- STRIKE A HORIZONTAL CHALKLINE ① ON THE WALL 72" ABOVE FINISHED FLOOR. THIS WILL LOCATE CENTERLINE FOR HORIZONTAL NOTCHES ON TEMPLATE.
- B- STRIKE A VERTICAL CHALKLINE ② ON THE WALL TO INDICATE CENTERLINE OF FIXTURE. THIS WILL LOCATE FOR VERTICAL NOTCHES ON TEMPLATE.
- C- USING HANDLE ③ ON TEMPLATE ④, PLACE TEMPLATE AGAINST THE WALL, LOCATING NOTCHES AT CHALKLINES. MARK FOR WALL OPENINGS.

**WALL SLEEVES (-SW)**

SLEEVES ARE NAILED (OR SCREWED) INTO FORMS OR GROUDED INTO BLOCK WALLS, BECOMING A PERMANENT PART OF THE WALL.

**NOTE:** FOR POURED WALL CONSTRUCTION, TEMPORARY BRACING SHOULD BE INSTALLED WITHIN SLEEVE OPENING TO PREVENT DEFORMATION TO SLEEVE WHICH MAY OCCUR DURING POUR. DO NOT POUR CONCRETE DIRECTLY ON TOP OF WALL SLEEVE.

- A- INSTALL SLEEVE WITH FLANGE ⑤ ON CHASE SIDE OF WALL.
- B- TOP AND BOTTOM NOTCHES TO BE LOCATED AT VERTICAL CENTERLINE ② OF SLEEVE.
- C- SIDE NOTCHES ① TO BE LOCATED AT 72" ABOVE THE FINISHED CELL SIDE FLOOR (SHOWER HEAD DISCHARGE HEIGHT).



**ACORN ENGINEERING COMPANY**  
P.O. BOX 3527 INDUSTRY, CA. 91744  
(626) 336-4561 FAX (626) 961-2200

TITLE

**SLEEVES AND TEMPLATES (CAT. #1743, #1743-RD & #1743-D)**

MANUFACTURE DATE

**MAY 1975  
TO PRESENT**

DATE ISSUED

**3-1-90**

DATE REVISED

**1/30/96**

DRAWING NUMBER

**9925-261-001**