

INSTALLATION INSTRUCTIONS:

- A- PRIOR TO INSTALLATION OF PUSHBUTTON PANEL ①, MOUNT PUSHBUTTONS ②, ESCUTCHEONS ③ AND THE ESCUTCHEON RETAINERS ④ TO THE PANEL. THREAD PUSHROD SLEEVE ASSEMBLIES ⑤ INTO RETAINER NUTS ④.
- B- HAND TIGHTEN (4) MOUNTING STUDS ⑥ INTO BACK OF FLANGED SHOWER HEAD ⑨. INSTALL 1/4" RISER TUBING ⑫. HOLD SHOWER HEAD AGAINST WALL. FROM CHASE SIDE, PLACE BACK PLATE ⑦ OVER STUDS ⑥. SCREW NUTS & WASHERS ⑧ ONTO EACH STUD. TIGHTEN AGAINST BACK PLATE ⑦.
- C- HOLD VALVE PANEL ① AGAINST WALL. FROM CHASE SIDE, PLACE THE VALVE SUPPORT PLATE ⑰ OVER PUSHROD SLEEVES ⑤. PLACE CONDUIT NUTS ⑱ ON SLEEVES ⑤ AND TIGHTEN.
- D- MOUNT AIR-CONTROL VALVE ASSEMBLY ⑪ AS REQUIRED WITHIN 10 FEET OF THE PUSHBUTTON.
- E- TO ADJUST PUSHBUTTON ASSEMBLY, LOOSEN THE LOCKNUT ⑩ AND ROTATE THE ADJUSTING SLEEVE ⑲ AS REQUIRED. WHEN PROPERLY ADJUSTED THERE WILL BE NO PLAY AND ONLY MINOR TENSION AT THE BUTTON.

- F- CONNECT RISER TUBING ⑫ TO VALVE ⑬. TIGHTEN WATERTIGHT.
- G- CONNECT 1/8" O.D. AIR TUBING ⑭ FROM PUSHBUTTON TO AIR-CONTROL SERVOMOTOR ⑮ USING FERRULE NUTS PROVIDED. HAND TIGHTEN. SEE DETAIL "A".
- H- AFTER THOROUGHLY FLUSHING THE SUPPLY LINES, MAKE-UP SUPPLY CONNECTIONS (1/2" NPS FEMALE). THREAD FLEX CONNECTOR HOSE ⑯ FROM VALVE INLET TO SUPPLY STUBOUTS. (NOTE: SUPPLY INLET CONNECTION WILL ACCOMMODATE 1/2" NPT MALE ADAPTER.)
- I- SEE APPROPRIATE SERVOMOTOR REFERENCE DRAWINGS FOR DETAILS AND TIMING INSTRUCTIONS.

NOTE:

MAXIMUM RECOMMENDED WORKING PRESSURE IS 100 PSI; TEMPERATURE IS 130°F; OUTLET TEMPERATURE IS RECOMMENDED AT A MAXIMUM OF 105°F.

WARNING:

PRIOR TO MAKING INSTALLATION, SUPPLY LINES MUST BE FLUSHED OF ALL FOREIGN MATERIAL SUCH AS PIPE DOPE, CHIPS, ETC. VALVE MUST BE DRAINED PRIOR TO BEING SUBJECTED TO FREEZING TEMPERATURES. MAXIMUM RECOMMENDED OUTLET WATER TEMPERATURE IS 105°F.



ACORN ENGINEERING COMPANY
P.O. BOX 3527 INDUSTRY, CA. 91744
(626) 336-4561 FAX (626) 961-2200

TITLE

PENAL SHOWERS WALL MOUNTED - HOT & COLD AIR-CONTROL - CAT. #1743-4

MANUFACTURE DATE

**JANUARY 1985
TO PRESENT**

DATE ISSUED

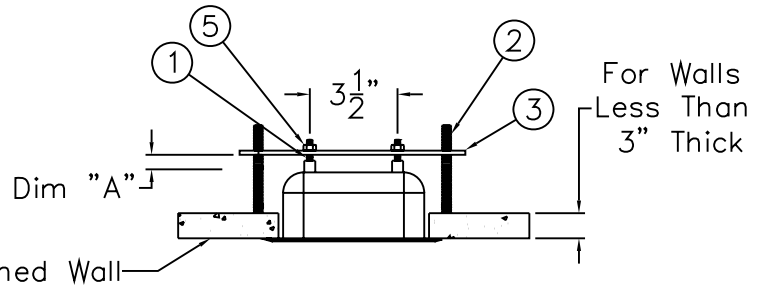
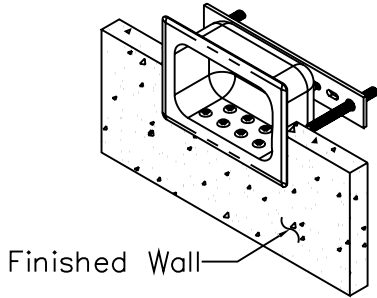
2/1/96

DATE REVISED

01/19/04

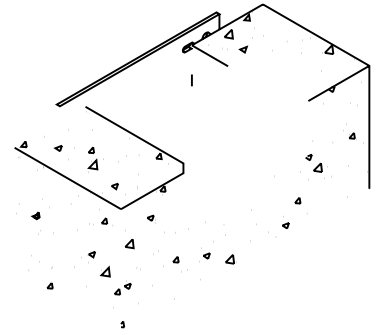
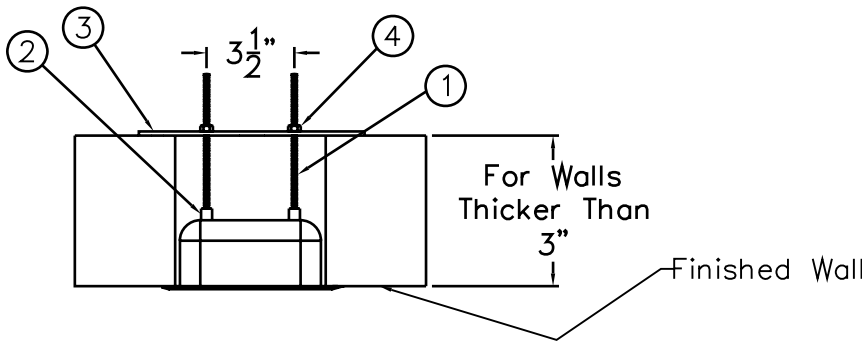
DRAWING NUMBER

9925-124-001



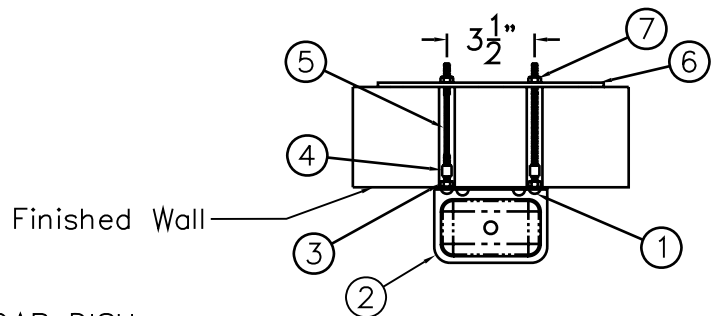
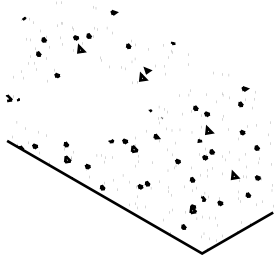
INSTALL INSTRUCTIONS: -RD RECESSED SOAP DISH FOR WALL LESS THAN 3".

Assemble Inside Threaded Rods ① Onto Rear Of Soap Dish. Position Assembly In Block-Out And Hold Until Secure. From Chase Side, Assemble Outside Threaded Rods ② To Back Plate ③ And Secure To Soap Dish With Washers And Nut ④ Provided. Turn Threaded Rods ② By Hand Until Wall Is Reached. Create Tension By Tightening Nuts On Inside Rods ① As Shown.



INSTALL INSTRUCTIONS: -RD RECESSED SOAP DISH FOR WALL THICKER THAN 3".

Connect Threaded Rod ① To Soap Dish ②. From Fixture Side Of Wall Slide Soap Dish ② And Rods ① Through Wall Block Out. On Chase Side Install Back Plate ③ And Tighten With Hex Nut ④ And Tighten Until Secure.



INSTALL INSTRUCTIONS: SURFACE MOUNTED SOAP DISH

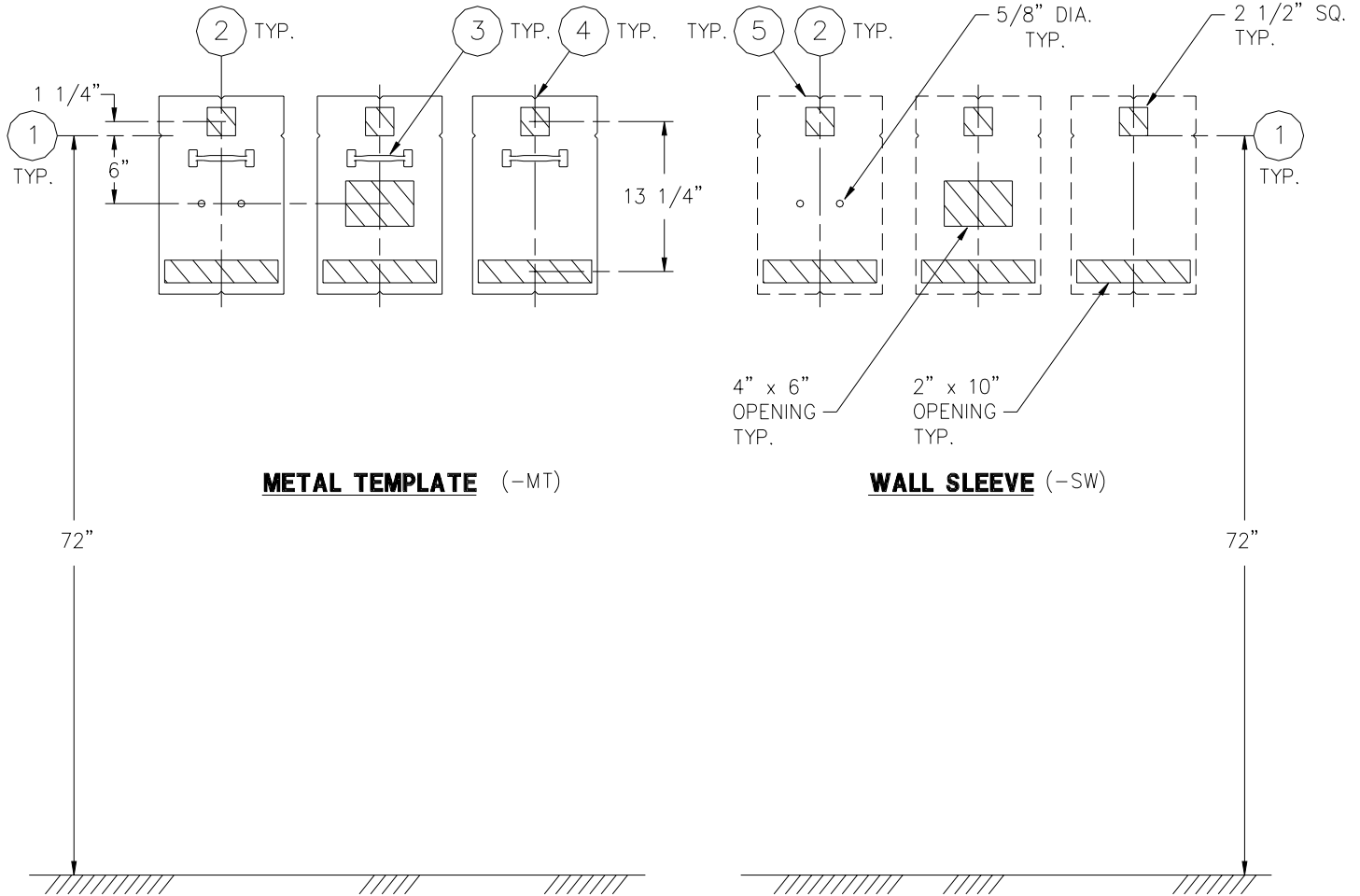
Fasten Round Head No Slot Screws ① To Soap Dish ② With Hex Nut ③. Connect Threaded Rod ⑤ To Collar ④, Threading On Approximately Half Way And Connect To Round Head Screws ①. From Shower Side Slide Rods ⑤ Through Holes In Wall. On Chase Side Install Back Plate ⑥ And Tighten Hex Nut ⑦ Until Secure.

<p>ACORN ENGINEERING COMPANY P.O. BOX 3527 INDUSTRY, CA. 91744 (626) 336-4661 FAX (626) 961-2200</p>	<p>TITLE SURFACE MOUNTED & RECESSED SOAP DISHES</p>		
	<p>MANUFACTURE DATE</p> <p>MAY 1975</p> <p>PRESENT</p>	<p>DATE ISSUED</p> <p>03-01-90</p> <p>DATE REVISED</p> <p>08/03/07</p>	<p>DRAWING NUMBER</p> <p>9925-130-001</p>



BOTH VIEWS ARE FROM CELL SIDE

SHADED AREAS ARE REQUIRED WALL OPENINGS



METAL TEMPLATE (-MT)

WALL SLEEVE (-SW)

INSTALLATION INSTRUCTIONS

METAL TEMPLATES (-MT)

TEMPLATES ARE USED TO LAYOUT REQUIRED WALL OPENINGS FOR SUBSEQUENT FLAME CUTTING OR CORE DRILLING.

- A- STRIKE A HORIZONTAL CHALKLINE ① ON THE WALL 72" ABOVE FINISHED FLOOR. THIS WILL LOCATE CENTERLINE FOR HORIZONTAL NOTCHES ON TEMPLATE.
- B- STRIKE A VERTICAL CHALKLINE ② ON THE WALL TO INDICATE CENTERLINE OF FIXTURE. THIS WILL LOCATE FOR VERTICAL NOTCHES ON TEMPLATE.
- C- USING HANDLE ③ ON TEMPLATE ④, PLACE TEMPLATE AGAINST THE WALL, LOCATING NOTCHES AT CHALKLINES. MARK FOR WALL OPENINGS.

WALL SLEEVES (-SW)

SLEEVES ARE NAILED (OR SCREWED) INTO FORMS OR GROUDED INTO BLOCK WALLS, BECOMING A PERMANENT PART OF THE WALL.

NOTE: FOR POURED WALL CONSTRUCTION, TEMPORARY BRACING SHOULD BE INSTALLED WITHIN SLEEVE OPENING TO PREVENT DEFORMATION TO SLEEVE WHICH MAY OCCUR DURING POUR. DO NOT POUR CONCRETE DIRECTLY ON TOP OF WALL SLEEVE.

- A- INSTALL SLEEVE WITH FLANGE ⑤ ON CHASE SIDE OF WALL.
- B- TOP AND BOTTOM NOTCHES TO BE LOCATED AT VERTICAL CENTERLINE ② OF SLEEVE.
- C- SIDE NOTCHES ① TO BE LOCATED AT 72" ABOVE THE FINISHED CELL SIDE FLOOR (SHOWER HEAD DISCHARGE HEIGHT).



ACORN ENGINEERING COMPANY
P.O. BOX 3527 INDUSTRY, CA. 91744
(626) 336-4561 FAX (626) 961-2200

TITLE

SLEEVES AND TEMPLATES (CAT. #1743, #1743-RD & #1743-D)

MANUFACTURE DATE

**MAY 1975
TO PRESENT**

DATE ISSUED

3-1-90

DATE REVISED

1/30/96

DRAWING NUMBER

9925-261-001