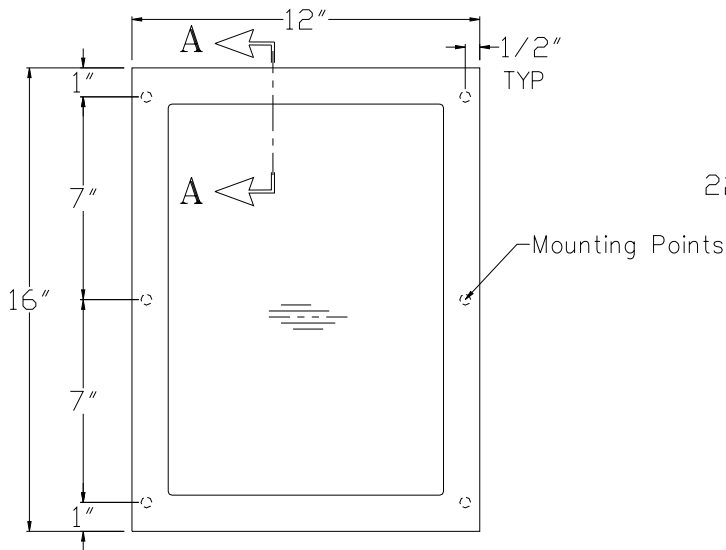
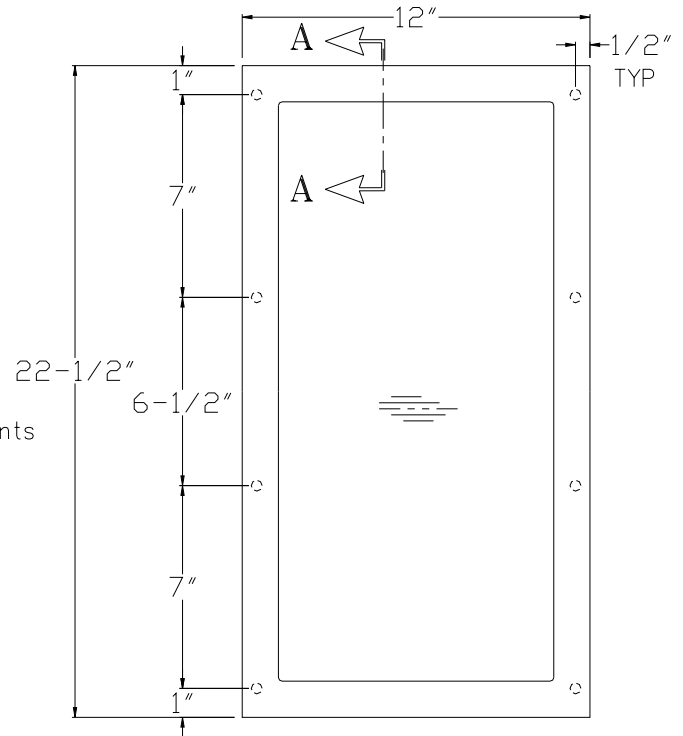


SECTION VIEW **A-A**

REFERENCE DRAWINGS	
1810 -SW Wall Sleeve	9925-292-001
1812 -SW Wall Sleeve	9925-292-001
Mounting Hardware	9957-900-001



MODEL #1810



MODEL #1812

INSTALLATION INSTRUCTIONS:

A- HAND TIGHTEN 1/4"-20 UNC STUDS ① INTO 1/4"-20 MOUNTING NUTS ② ON BACK OF MIRROR ③.

B- POSITION MIRROR ③ ON CELL SIDE, SLIDING STUDS ① THROUGH SLEEVE OR WALL OPENINGS.

C- PLACE WASHERS ④ OVER STUDS ①.

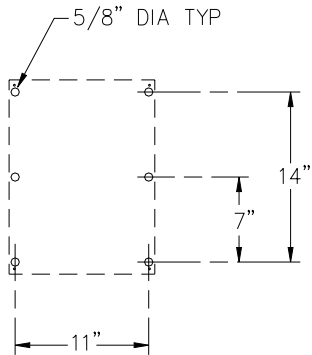
D- THREAD 1/4"-20 NUTS ⑤ TO STUDS ①. DO NOT ALLOW STUDS ① TO TURN AND THREAD FURTHER INTO MOUNTING NUTS ②. NOTE: DO NOT EXCEED 6.5 FT/LBS MAXIMUM TORQUE ON 1/4"-20 NUTS ⑤.



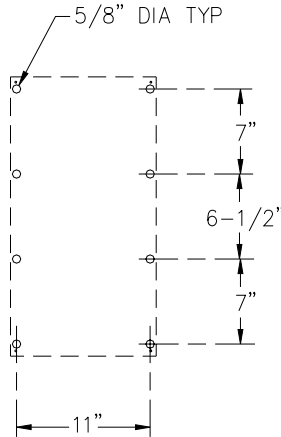
TITLE REAR MOUNTED SECURITY MIRRORS, CAT #1810 & #1812		
MANUFACTURE DATE DECEMBER 1971 TO PRESENT	DATE ISSUED 11/20/96	DRAWING NUMBER 9925-132-001
	DATE REVISED 4/16/97	



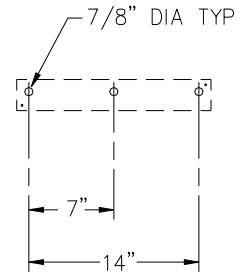
BOTH VIEWS ARE FROM CELL SIDE
 SHADED AREAS ARE REQUIRED WALL OPENINGS 



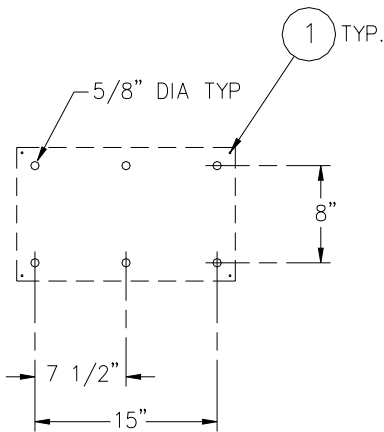
CAT. #1810



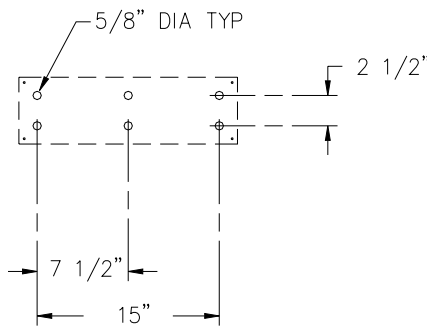
CAT. #1812



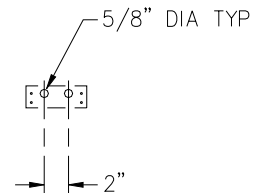
CAT. #1821 & 1822



CAT. #1823



CAT. #1825 & 1827



CAT. #1835 & 1837

INSTALLATION INSTRUCTIONS

WALL SLEEVES (-SW)

SLEEVES ARE INSTALLED IN FORMS (USING NAIL HOLES ① PROVIDED) OR GROUTED INTO BLOCK WALLS, BECOMING A PERMANENT PART OF THE WALL.

A- INSTALL SLEEVE WITH FLANGE ON CHASE SIDE OF WALL.



ACORN ENGINEERING COMPANY
 P.O. BOX 3527 INDUSTRY, CA. 91744
 (626) 336-4561 FAX (626) 961-2200

TITLE **WALL SLEEVES** (CAT. #1810, 1812, 1821, 1822, 1823, 1825, 1827, 1835 & 1837)

MANUFACTURE DATE
DEC 1971
TO PRESENT

DATE ISSUED
3-1-90
 DATE REVISED
11/20/96

DRAWING NUMBER
9925-292-001