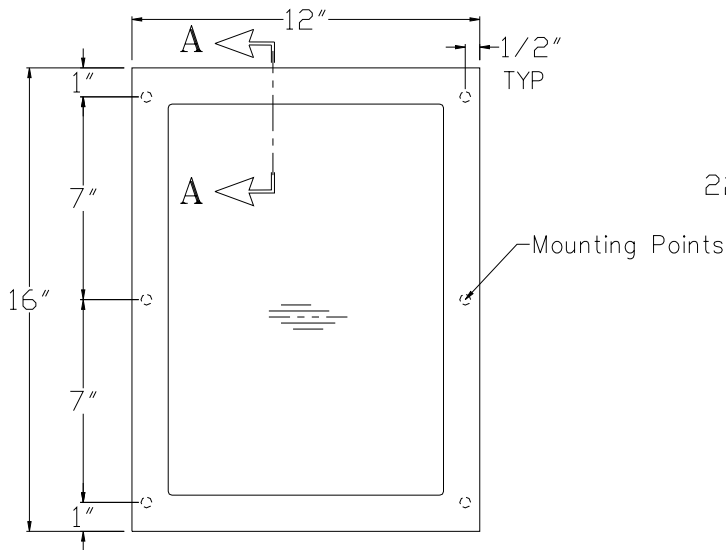
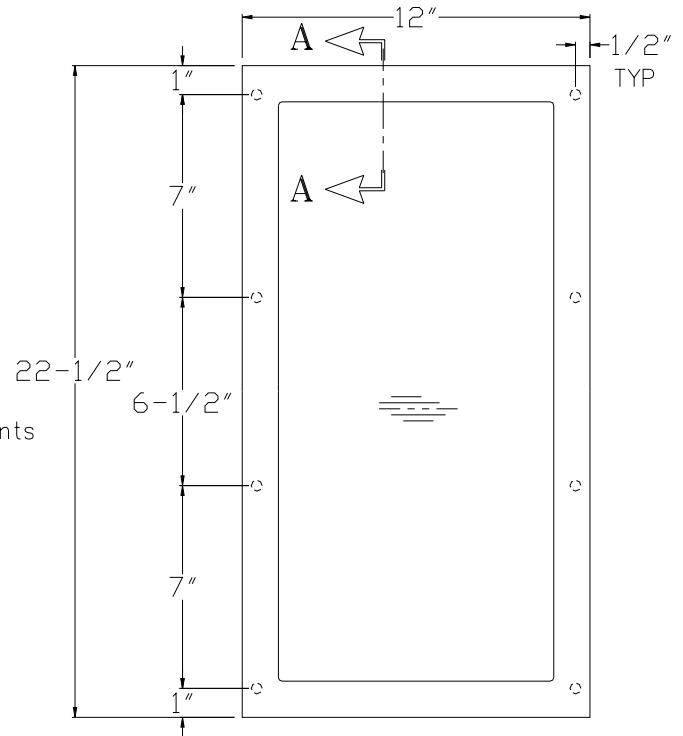


SECTION VIEW **A-A**

| REFERENCE DRAWINGS   |              |
|----------------------|--------------|
| 1810 -SW Wall Sleeve | 9925-292-001 |
| 1812 -SW Wall Sleeve | 9925-292-001 |
| Mounting Hardware    | 9957-900-001 |



**MODEL #1810**



**MODEL #1812**

**INSTALLATION INSTRUCTIONS:**

A- HAND TIGHTEN 1/4"-20 UNC STUDS ① INTO 1/4"-20 MOUNTING NUTS ② ON BACK OF MIRROR ③.

B- POSITION MIRROR ③ ON CELL SIDE, SLIDING STUDS ① THROUGH SLEEVE OR WALL OPENINGS.

C- PLACE WASHERS ④ OVER STUDS ①.

D- THREAD 1/4"-20 NUTS ⑤ TO STUDS ①. DO NOT ALLOW STUDS ① TO TURN AND THREAD FURTHER INTO MOUNTING NUTS ②. NOTE: DO NOT EXCEED 6.5 FT/LBS MAXIMUM TORQUE ON 1/4"-20 NUTS ⑤.

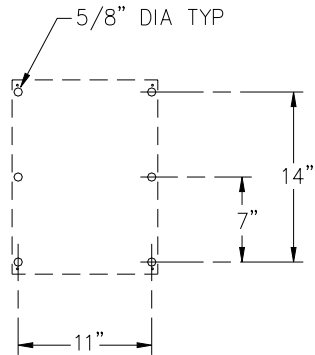


**ACORN ENGINEERING COMPANY**  
 P.O. BOX 3527 INDUSTRY, CA. 91744  
 (626) 336-4561 FAX (626) 961-2200

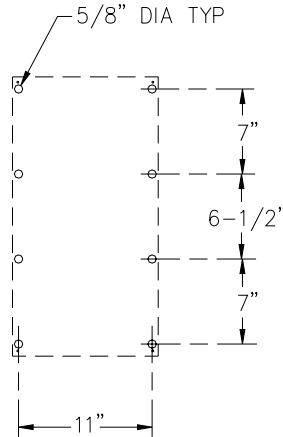
|  |                                |                                       |
|--|--------------------------------|---------------------------------------|
| TITLE<br><b>REAR MOUNTED SECURITY MIRRORS, CAT #1810 &amp; #1812</b> |                                |                                       |
| MANUFACTURE DATE<br><b>DECEMBER 1971<br/>TO PRESENT</b>              | DATE ISSUED<br><b>11/20/96</b> | DRAWING NUMBER<br><b>9925-132-001</b> |
|  | DATE REVISED<br><b>4/16/97</b> |                                       |



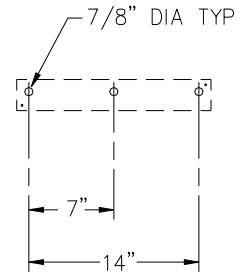
**BOTH VIEWS ARE FROM CELL SIDE**  
 SHADED AREAS ARE REQUIRED WALL OPENINGS 



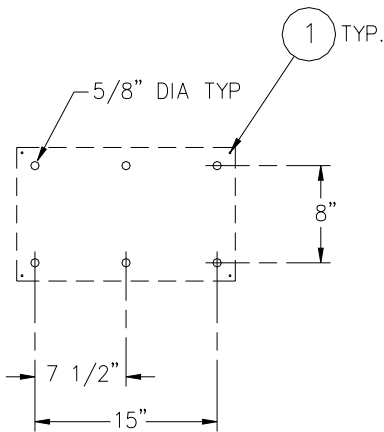
**CAT. #1810**



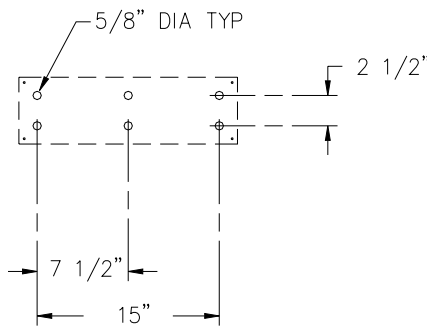
**CAT. #1812**



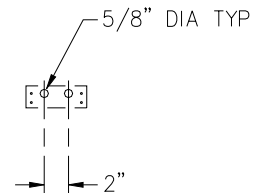
**CAT. #1821 & 1822**



**CAT. #1823**



**CAT. #1825 & 1827**



**CAT. #1835 & 1837**

**INSTALLATION INSTRUCTIONS**

**WALL SLEEVES (-SW)**

SLEEVES ARE INSTALLED IN FORMS (USING NAIL HOLES ① PROVIDED) OR GROUTED INTO BLOCK WALLS, BECOMING A PERMANENT PART OF THE WALL.

A- INSTALL SLEEVE WITH FLANGE ON CHASE SIDE OF WALL.



**ACORN ENGINEERING COMPANY**  
 P.O. BOX 3527 INDUSTRY, CA. 91744  
 (626) 336-4561 FAX (626) 961-2200

TITLE **WALL SLEEVES** (CAT. #1810, 1812, 1821, 1822, 1823, 1825, 1827, 1835 & 1837)

MANUFACTURE DATE

**DEC 1971**  
**TO PRESENT**

DATE ISSUED

**3-1-90**

DATE REVISED

**11/20/96**

DRAWING NUMBER

**9925-292-001**