

REFERENCE DRAWINGS	
-SW Wall Sleeve	9925-292-001
Mounting Hardware	9957-900-001

**INSTALLATION INSTRUCTIONS:**

- A-HAND TIGHTEN MOUNTING STUDS ① INTO MOUNTING NUTS ② ON BACK OF FIXTURE.
- B- POSITION FIXTURE ③ ON CELL SIDE, SLIDING STUDS ① THROUGH SLEEVE OR WALL OPENINGS.
- C- PLACE WASHERS ④ OVER STUDS ①. THREAD NUTS ⑤ TO STUDS ①, & TIGHTEN. DO NOT ALLOW STUDS ① TO TURN AND THREAD FURTHER INTO MOUNTING NUTS ②. NOTE: DO NOT EXCEED 6.5 FT/LBS MAXIMUM TORQUE ON 1/4" NUTS ⑤.

**ACORN ENGINEERING COMPANY**  
P.O. BOX 3527 INDUSTRY, CA. 91744  
(626) 336-4561 FAX (626) 961-2200

TITLE **REAR MOUNTED ACCESSORIES, CAT #1821, #1822, #1823, #1825, #1827, #1829**

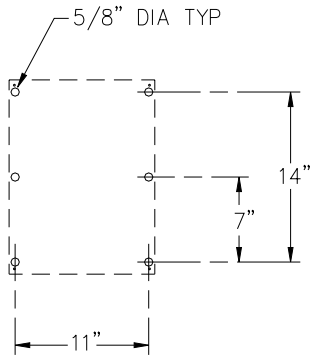
MANUFACTURE DATE  
**DECEMBER 1971**  
**TO PRESENT**

DATE ISSUED  
**4/16/97**  
DATE REVISED

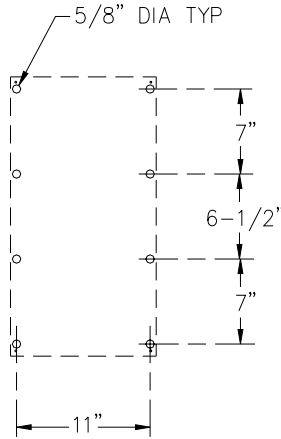
DRAWING NUMBER  
**9925-135-001**



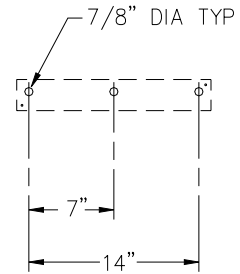
**BOTH VIEWS ARE FROM CELL SIDE**  
 SHADED AREAS ARE REQUIRED WALL OPENINGS



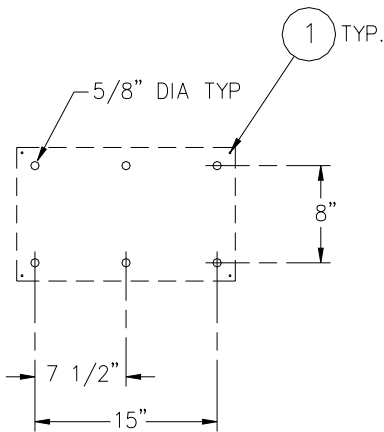
**CAT. #1810**



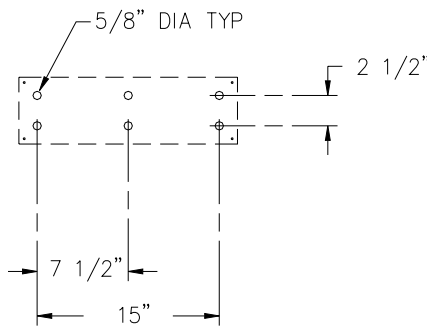
**CAT. #1812**



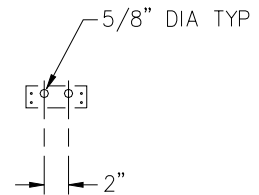
**CAT. #1821 & 1822**



**CAT. #1823**



**CAT. #1825 & 1827**



**CAT. #1835 & 1837**

**INSTALLATION INSTRUCTIONS**

**WALL SLEEVES (-SW)**

SLEEVES ARE INSTALLED IN FORMS (USING NAIL HOLES ① PROVIDED) OR GROUTED INTO BLOCK WALLS, BECOMING A PERMANENT PART OF THE WALL.

A- INSTALL SLEEVE WITH FLANGE ON CHASE SIDE OF WALL.



**ACORN ENGINEERING COMPANY**  
 P.O. BOX 3527 INDUSTRY, CA. 91744  
 (626) 336-4561 FAX (626) 961-2200

TITLE **WALL SLEEVES** (CAT. #1810, 1812, 1821, 1822, 1823, 1825, 1827, 1835 & 1837)

MANUFACTURE DATE  
**DEC 1971**  
**TO PRESENT**

DATE ISSUED  
**3-1-90**  
 DATE REVISED  
**11/20/96**

DRAWING NUMBER  
**9925-292-001**