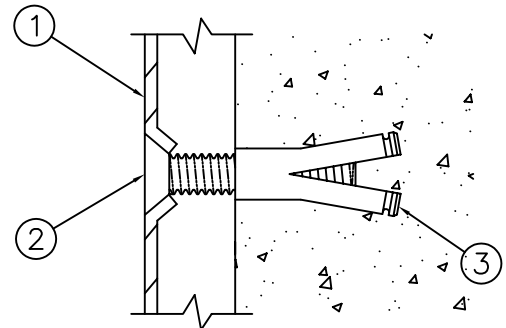
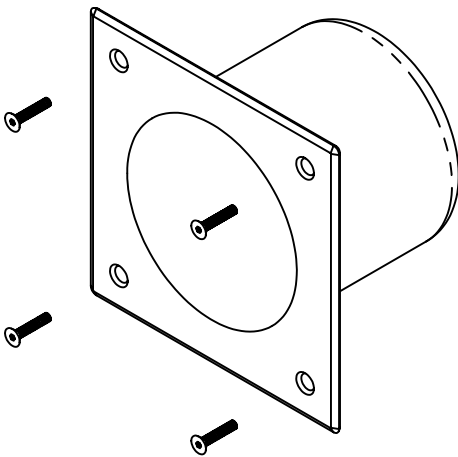
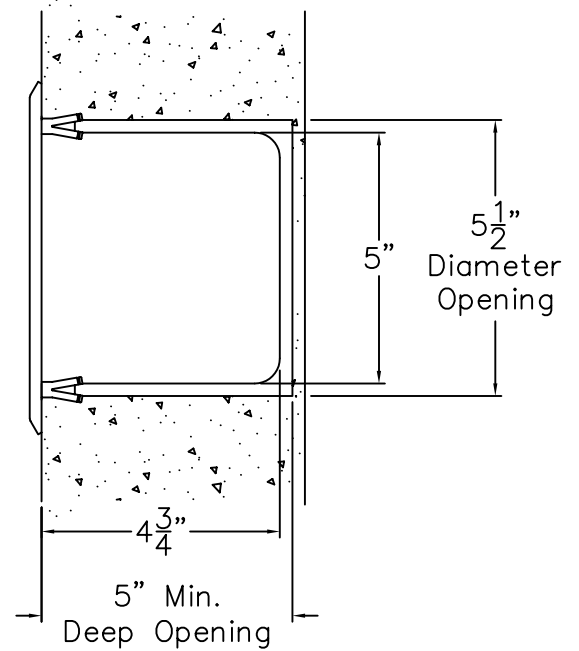
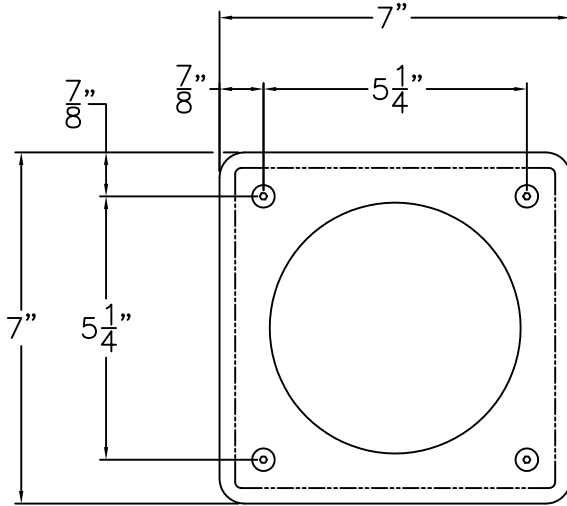




REFERENCE DRAWING

Fasteners	9951-005-001
-----------	--------------



MOUNTING DETAIL

- ① Paper Holder Plate
- ② 1/4"-20 UNC x 1" Vandal Resistant Screws (Provided)
- ③ Appropriate Wall Anchors For Hardware Provided. (Anchors By Others).

INSTALLATION INSTRUCTIONS:

- A- Installation Requires A Rough Wall Opening Approximately 5-1/2" Diameter x 5" Deep To Accommodate Paper Holder.
- B- Using Paper Holder As A Template Locate Mounting Points.
- C- Drill Holes For Wall Anchors (By Others). Install Anchors. (Use Appropriate Anchors For Hardware Provided)
- D- Secure Paper Holder To Wall Using 1/4"-20 UNC Vandal Resistant Screws (Provided).

<p>ACORN ENGINEERING COMPANY P.O. BOX 3527 INDUSTRY, CA. 91744 (626) 336-4561 FAX (626) 961-2200</p>	<p>TITLE FRONT MOUNTED ACCESSORIES, CAT. #1840-FA</p>		
	<p>MANUFACTURE DATE DECEMBER 1971 TO PRESENT</p>	<p>DATE ISSUED 05/06/99</p> <p>DATE REVISED 04/02/07</p>	<p>DRAWING NUMBER 9925-137-001</p>