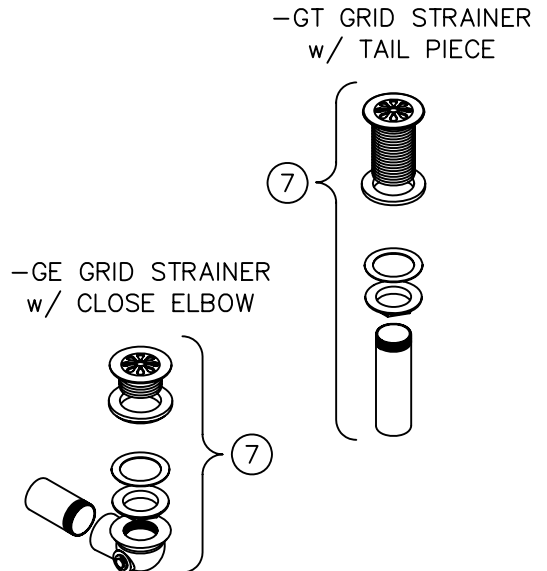
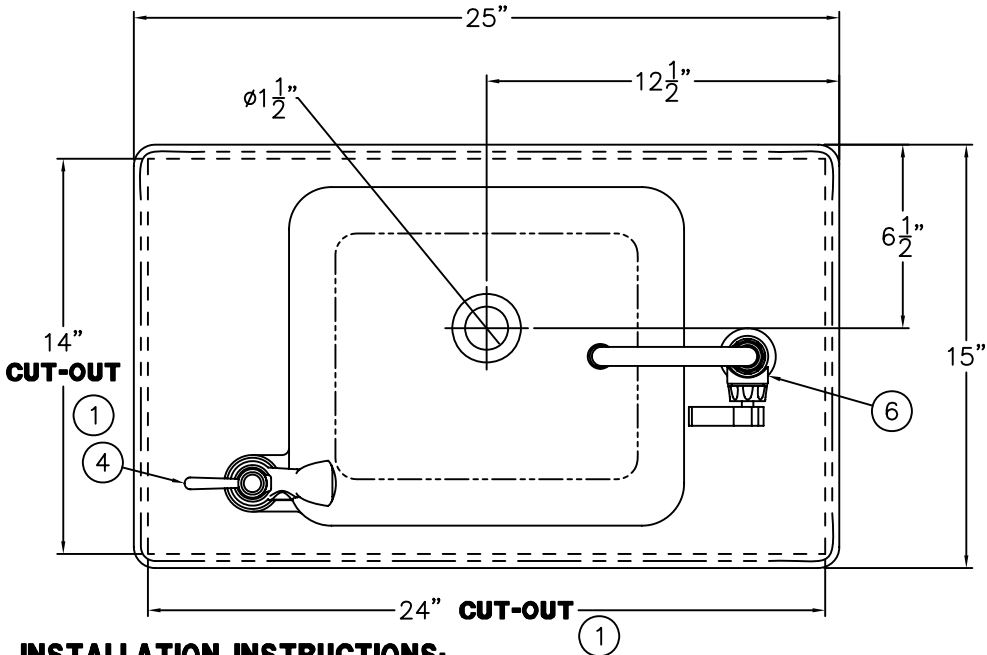
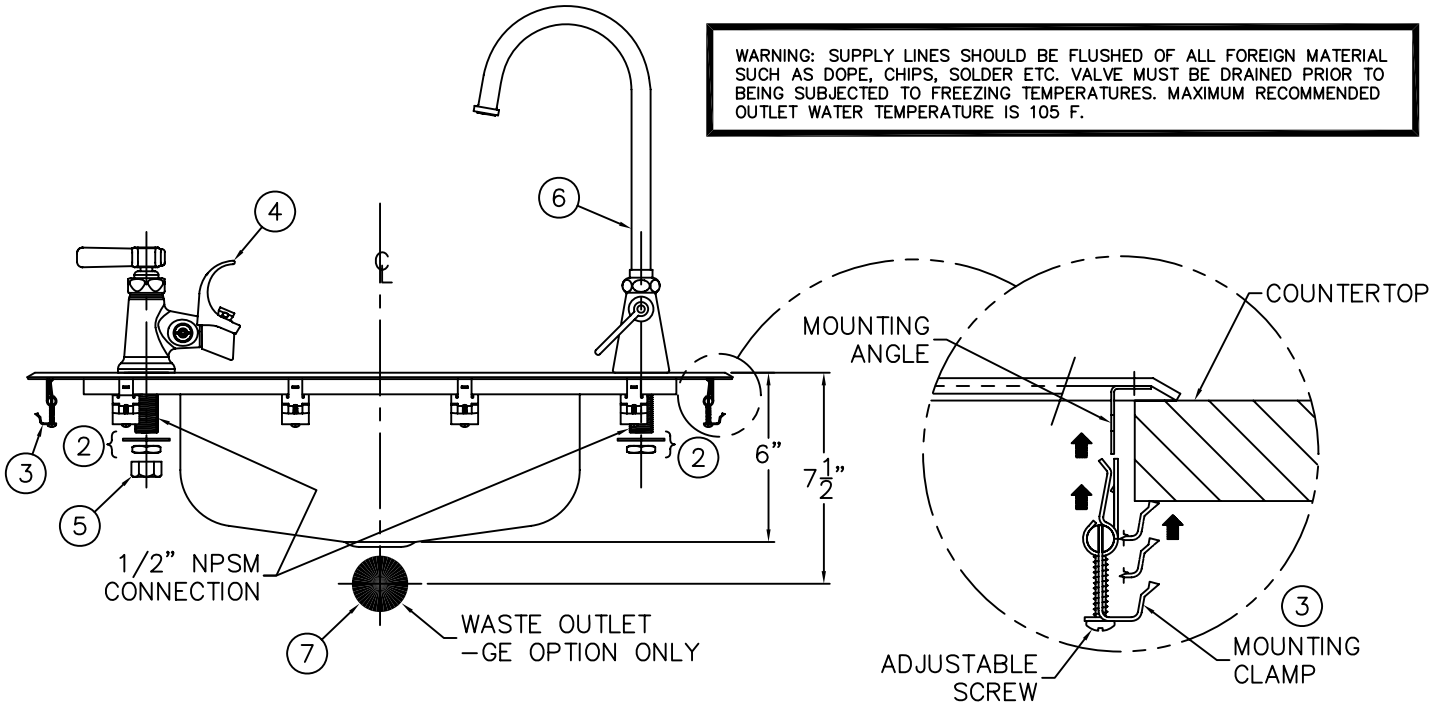




WARNING: SUPPLY LINES SHOULD BE FLUSHED OF ALL FOREIGN MATERIAL SUCH AS DOPE, CHIPS, SOLDER ETC. VALVE MUST BE DRAINED PRIOR TO BEING SUBJECTED TO FREEZING TEMPERATURES. MAXIMUM RECOMMENDED OUTLET WATER TEMPERATURE IS 105 F.



INSTALLATION INSTRUCTIONS:

- A- PREPARE SITE FOR INSTALLATION AND MARK AND REMOVE CUT-OUT AREA ① ON COUNTER. REFER TO ADA GUIDELINES TO LOCATE APPROPRIATE POSITION IF REQUIRED.
- B- MOUNT OPTIONAL ACCESSORIES WITH HARDWARE ② PROVIDED AND INSTALL UNDER-MOUNT CLAMPS ③ PRIOR TO INSTALLATION OF SINK.
- C- POSITION FIXTURE INTO PLACE. SECURE BY EVENLY TIGHTENING THE UNDER-MOUNT CLAMPS ③ WITH A CROSS TIP SCREWDRIVER.
- D- FLUSH SUPPLY LINES BEFORE MAKING UP CONNECTIONS. BUBBLER OPTIONS ④ INCLUDE A 1/2" NPSM COUPLING NUT ⑤ FOR 3/8" OR 1/2" FLEXIBLE RISER. FAUCET OPTIONS ⑥ INCLUDE 1/2" NPSM CONNECTION. OPTIONAL WASTE OUTLET ⑦ IS 1-1/4" OD COMPRESSION CONNECTION.

<p>ACORN ENGINEERING COMPANY P.O. BOX 3527 INDUSTRY, CA. 91744 (626) 336-4561 FAX (626) 961-2200</p>	<p>TITLE SELF-RIMMING CLASSROOM SINK, #1900</p>		
	<p>MANUFACTURE DATE</p> <p>FEBRUARY 2008</p> <p>TO PRESENT</p>	<p>DATE ISSUED</p> <p>02/05/08</p> <p>DATE REVISED</p>	<p>DRAWING NUMBER</p> <p>9907-000-001</p>