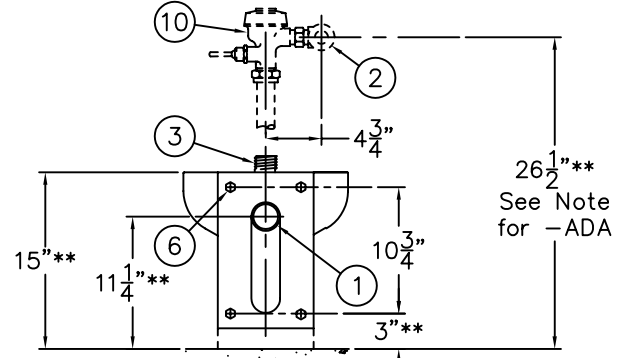
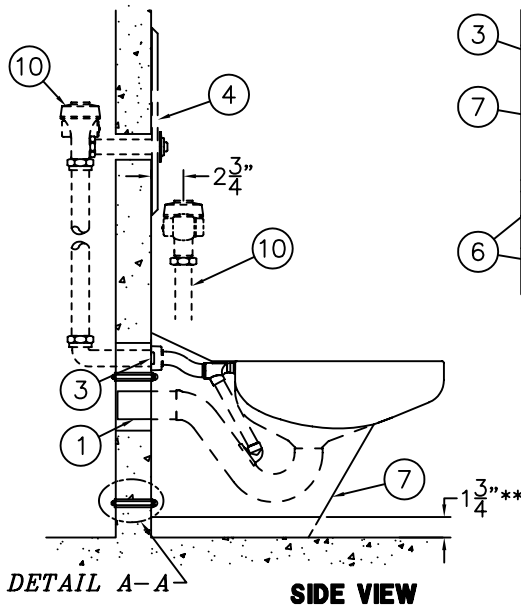


TOP VIEW

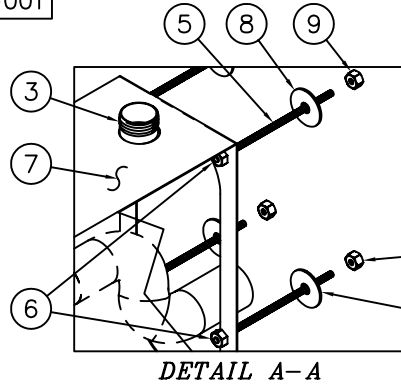


-T TOP SUPPLY
VIEW IS FROM REAR OF FIXTURE

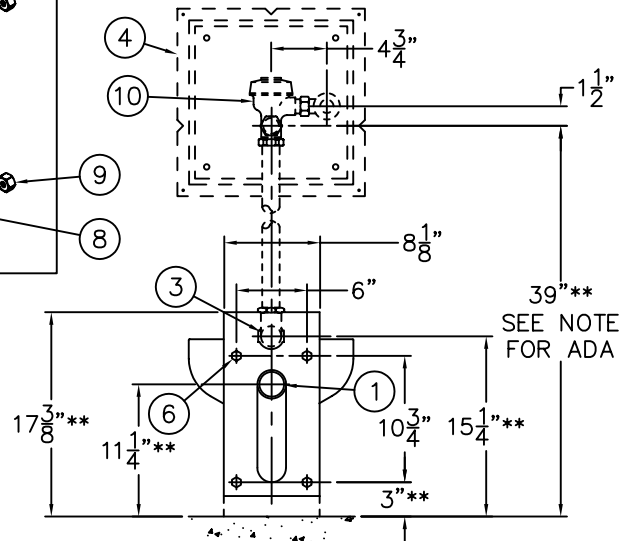
REFERENCE DRAWINGS	
-SW WALL SLEEVE	9927-526-001
-MT METAL TEMPLATE	9927-526-001



SIDE VIEW



DETAIL A-A



-W WALL SUPPLY
VIEW IS FROM REAR OF FIXTURE

INSTALLATION INSTRUCTIONS:

- A- ROUGH-IN FOR THE FOLLOWING:
 - 2-3/8" OD PLAIN END WASTE (1), OR FOR OPTIONAL -W03, 3" OD PLAIN END.
 - FLUSH VALVE INLET 1" NPT (2).
 - FIXTURE FLUSHING INLET 1-1/2" NPT (3).
- B- FOR OPTIONAL 2898 FLUSH VALVE ACCESS PANEL (4): FOR BACK SUPPLY FLUSH VALVES REFER TO DRAWING #9908-399-001.
- C- THREAD 1/2"-13 UNC STUDS (5) (1/2" ENGAGEMENT MINIMUM) PROVIDED ONTO MOUNTING POINTS (6) LOCATED ON THE REAR OF THE FIXTURE.
- D- ALIGN FIXTURE (7) WITH THROUGH WALL OPENINGS ON OPTIONAL -SW WALL SLEEVE OR PROVIDED BY INSTALLER AND SLIDE AGAINST THE WALL.
- E- PLACE WASHERS (8) & NUTS (9) ONTO STUDS (5) FROM CHASE SIDE AND TIGHTEN TO 60 FT. LBS.
- F- MAKE UP SUPPLY (3) & WASTE (1) CONNECTIONS.

- G- FOR OPTIONAL -FV FLUSH VALVE: CONNECT FLUSH VALVE (10) AS REQUIRED FOR CONCEALED OR EXPOSED INSTALLATION PER MANUFACTURER'S RECOMMENDATIONS.

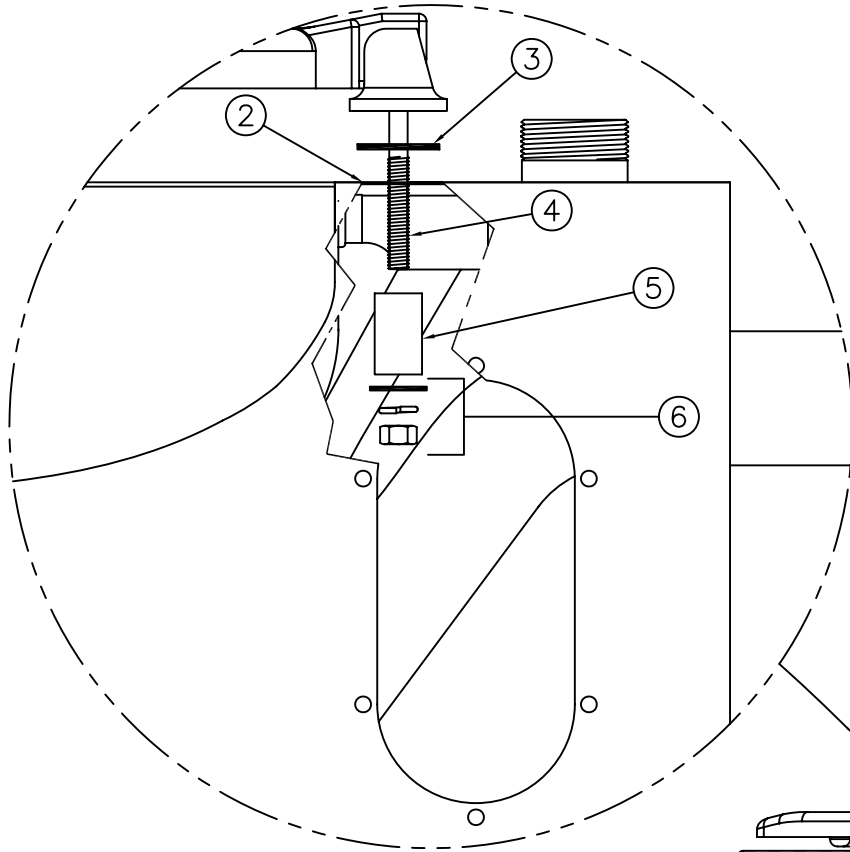
NOTE: FOR -ADA UNITS REFER TO ADA ACCESSIBILITY GUIDELINES FOR COMPLETE INSTALLATION REQUIREMENTS.

ALL VERTICAL DIMENSIONS INDICATED** INCREASE PROPORTIONATELY WITH ADA SEAT HEIGHT: FOR ADA 17" SEAT HEIGHT, -W FLUSHING INLET (3) BECOMES 17-1/4".

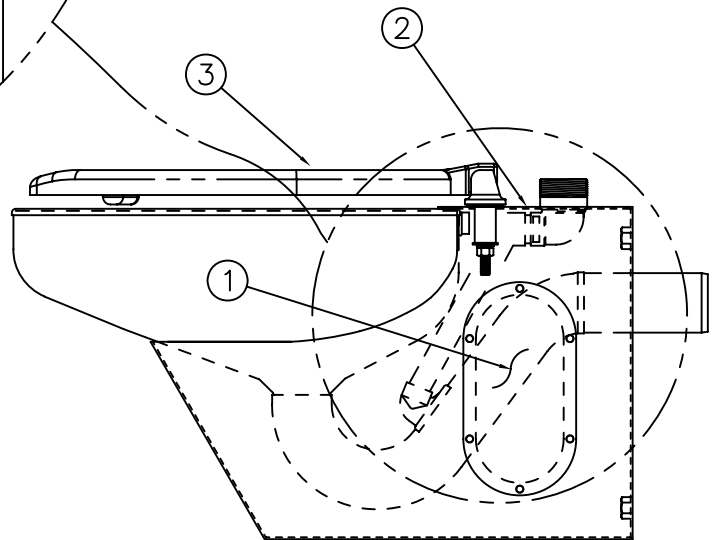
FLUSH VALVE MUST BE HYDRAULICALLY ACTUATED OR SUPPLIED WITH AN ADA HANDLE. MAX CONTROL HEIGHT IS 44" ABOVE FINISHED FLOOR. ADA CONTROLS MUST BE LOCATED ON THE WIDE SIDE OF TOILET.

NOTE: USE ONLY APPROPRIATE UPC/cUPC CERTIFIED FLUSH VALVE FOR THE INSTALLATION OF THIS TOILET.

ACORN ENGINEERING COMPANY P.O. BOX 3527 INDUSTRY, CA. 91744 (626) 336-4561 FAX (626) 961-2200	TITLE BLOWOUT, REAR MOUNT, ON/OFF FLOOR, WALL OUTLET -2140-W/T-1/2-RM		
	MANUFACTURE DATE OCTOBER 1997 TO PRESENT	DATE ISSUED 11/4/97	DRAWING NUMBER 9927-520-001
		DATE REVISED 03/01/07	



DETAIL -A



INSTALLATION INSTRUCTIONS- HINGED SEAT AFTER MOUNTING FIXTURE TO WALL

- A- REMOVE ACCESS PANEL ① FROM BOTH SIDES OF HOUSING ②.
- B- PLACE RUBBER GASKET ③ ONTO SEAT'S THREADED RODS ④.
- C- POSITION SEAT ONTO TOILET HOUSING ② AND SLIDE SEAT THREADED RODS ④ THROUGH SPACER ⑤.

- D- ASSEMBLE HARDWARE ⑥ AS SHOWN IN DETAIL "A".
- E- ENSURE ALL HARDWARE IS TIGHT AND REPLACE ACCESS PANELS ① TO HOUSING ②.



ACORN ENGINEERING COMPANY
P.O. BOX 3527 INDUSTRY, CA. 91744
(626) 336-4561 FAX (626) 961-2200

TITLE		
-HS HINGED SEAT INSTALLATION DETAIL MERIDIAN TOILETS		
MANUFACTURE DATE	DATE ISSUED	DRAWING NUMBER
APRIL 2008	04/08/08	9927-527-001
TO PRESENT	DATE REVISED	