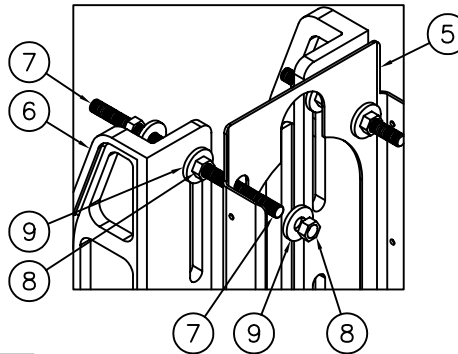
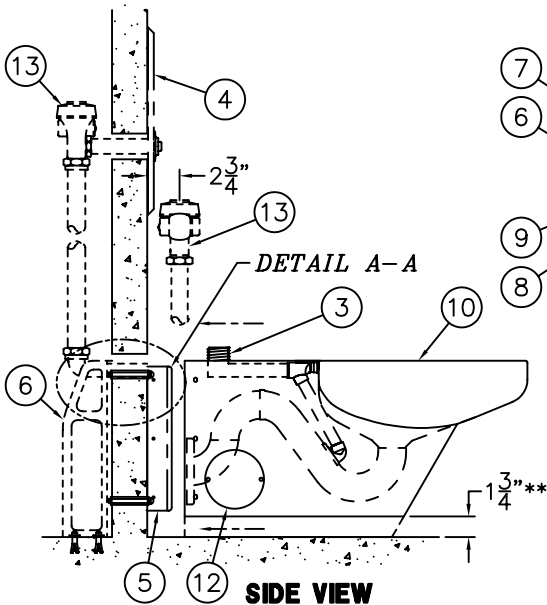


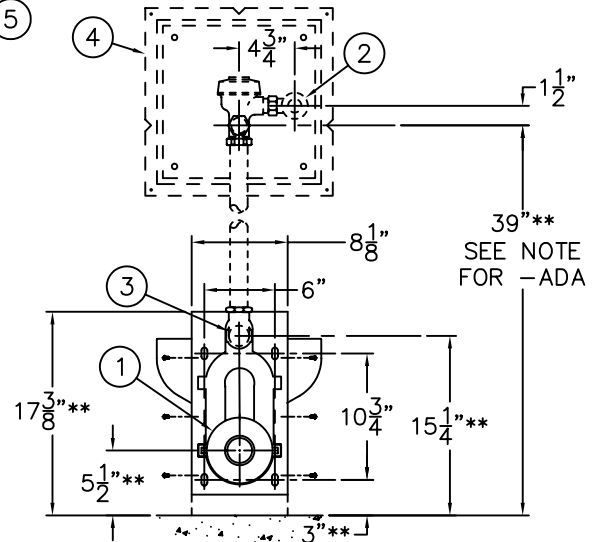
**-T TOP SUPPLY
VIEW IS FROM REAR OF FIXTURE**

NOTE: USE ONLY APPROPRIATE UPC/cUPC CERTIFIED FLUSH VALVE FOR THE INSTALLATION OF THIS TOILET.

DETAIL A-A



**TOILET SHOWN WITH
OPTIONAL -MC
MOUNTING CARRIER**



**-W WALL SUPPLY
VIEW IS FROM REAR OF FIXTURE**

INSTALLATION INSTRUCTIONS:

- A- ROUGH-IN FOR THE FOLLOWING:
 - 5-1/2" RECESSED GASKET FLANGE (1).
 - FLUSH VALVE INLET 1" NPT (2).
 - FIXTURE FLUSHING INLET 1-1/2" NPT (3).
- B- FOR OPTIONAL 2898 FLUSH VALVE ACCESS PANEL (4): FOR BACK SUPPLY FLUSH VALVES REFER TO DRAWING #9908-399-001.
- C- FOR UNITS WITHOUT MOUNTING CARRIER: POSITION MOUNTING TEMPLATE (5) ONTO FIXTURE SIDE OF REINFORCED WALL LOCATING AS INDICATED. WALL ANCHORS AND FASTENERS ARE BY OTHERS.
- D- FOR UNITS WITH MOUNTING CARRIER: INSTALL CARRIER (PLUMBING SIDE OF WALL) (6) TO FLOOR. ATTACH 1/2" UNC STUDS (7) TO CARRIER (6) USING NUTS (8) & WASHERS (9). ATTACH MOUNTING TEMPLATE (5) (FIXTURE SIDE) OF WALL TO EXISTING 1/2" STUDS (7) WITH NUTS (8) & (9). SEE DETAIL A-A.

- E- PLACE TOILET (10) UP AGAINST WALL. ATTACH TOILET HOUSING TO MOUNTING TEMPLATE (5) USING 1/4-20 SCREWS (11). SEE DETAIL B-B.
- F- REMOVE ACCESS PANEL (12) MAKE UP TOILET WASTE CONNECTION.
- G- FOR OPTIONAL -FV FLUSH VALVE: CONNECT FLUSH VALVE (13) AS REQUIRED FOR CONCEALED INSTALLATION PER MANUFACTURER'S RECOMMENDATIONS.

NOTE: FOR -ADA UNITS REFER TO ADA ACCESSIBILITY GUIDELINES FOR COMPLETE INSTALLATION REQUIREMENTS.

ALL VERTICAL DIMENSIONS INDICATED** INCREASE PROPORTIONATELY WITH ADA SEAT HEIGHT: FOR ADA 17" SEAT HEIGHT, -W FLUSHING INLET (3) BECOMES 17-1/4".

FLUSH VALVE MUST BE HYDRAULICALLY ACTUATED OR SUPPLIED WITH AN ADA HANDLE. MAX CONTROL HEIGHT IS 44" ABOVE FINISHED FLOOR. ADA CONTROLS MUST BE LOCATED ON THE WIDE SIDE OF TOILET.

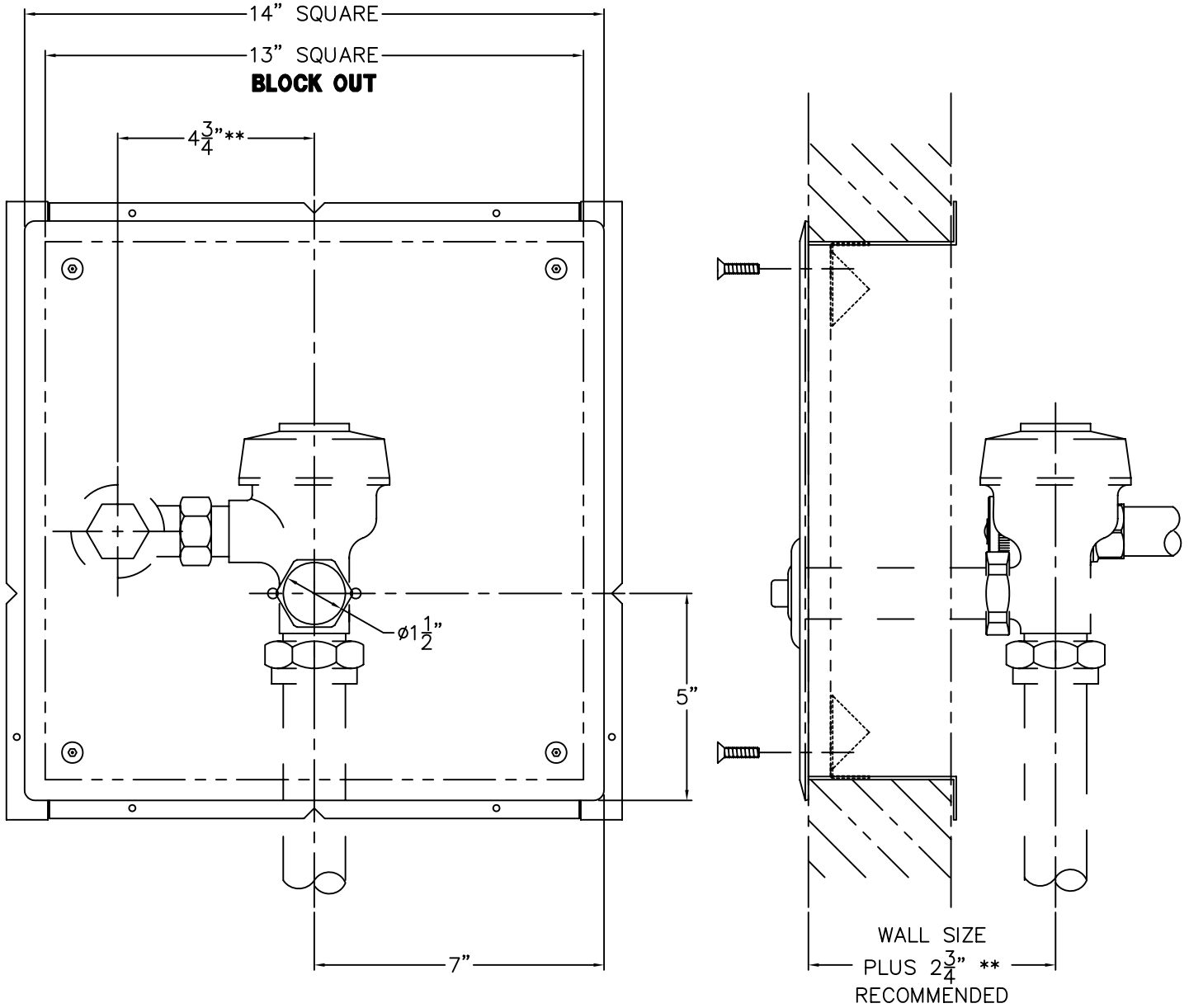
ACORN ENGINEERING COMPANY
P.O. BOX 3527 INDUSTRY, CA. 91744
(626) 336-4561 FAX (626) 961-2200

TITLE **SIPHON JET, FRONT MOUNT, ON/OFF FLOOR, WALL OUTLET -2141-W/T-1/2-FM**

MANUFACTURE DATE
OCTOBER 1997
TO PRESENT

DATE ISSUED
11/03/97
DATE REVISED
03/01/07

DRAWING NUMBER
9927-512-001



** NOTE: FLUSH VALVE SHOWN FOR REFERENCE ONLY. INSTALL FLUSH VALVE IN ACCORDANCE TO FLUSH VALVE MANUFACTURER'S INSTALLATION SHEETS.

INSTALLATION INSTRUCTIONS

SLEEVES ARE INSTALLED IN FORMS (USING NAIL HOLES PROVIDED) OR GROUTED INTO BLOCK WALLS, BECOMING A PERMANENT PART OF THE WALL. FRONT OF PANEL SHOULD BE FLUSH WITH FINISHED WALL.

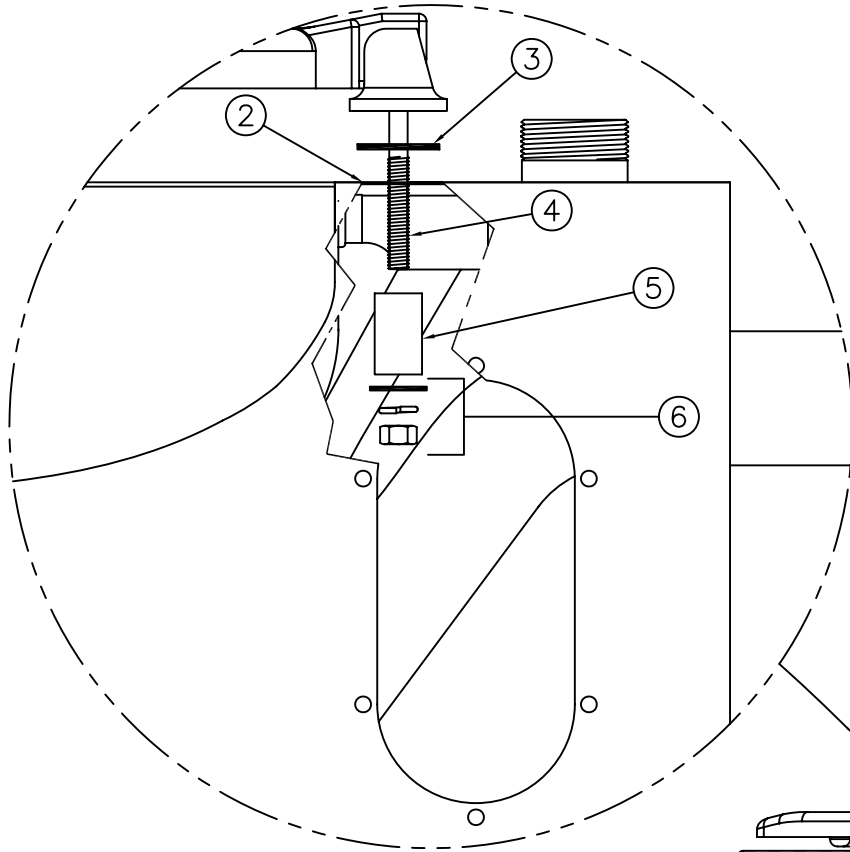
A- INSTALL SLEEVE WITH FLANGE ON PIPE CHASE SIDE OF WALL.

B- LOCATE TOP AND BOTTOM NOTCHES AND MARK VERTICAL CENTERLINE FOR FLUSH VALVE PUSHBUTTON.

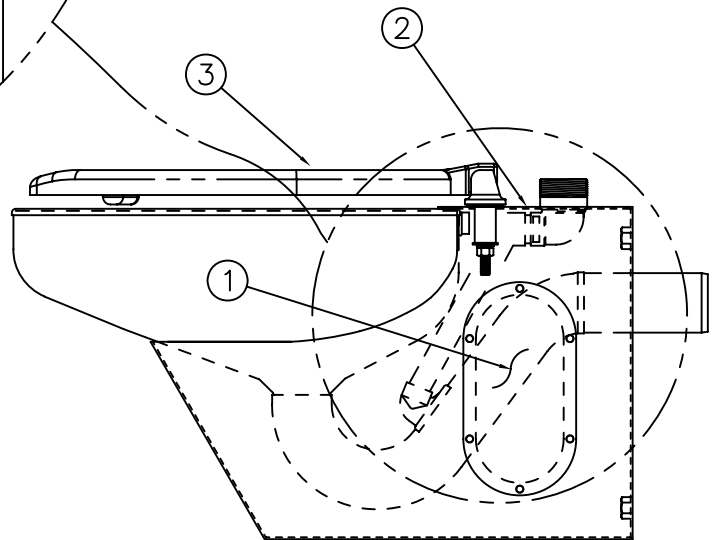
C- LOCATE SIDE NOTCHES AND MARK HORIZONTAL CENTERLINE FOR FLUSH VALVE PUSHBUTTON.

D- ATTACH COVER TO ACCESS PANEL WITH (4) 1/4"-20 x 1" TAMPER-RESISTANT STAINLESS STEEL SCREWS PROVIDED. REFERENCE DRAWING NO. 9951-005-001

ACORN ENGINEERING COMPANY P.O. BOX 3527 INDUSTRY, CA. 91744 (626) 336-4561 FAX (626) 961-2200	TITLE FLUSH VALVE ACCESS PANEL, MODEL 2898		
	MANUFACTURE DATE JANUARY 1973 TO PRESENT	DATE ISSUED 06/01/90 DATE REVISED 07/19/07	DRAWING NUMBER 9908-399-001



DETAIL -A



INSTALLATION INSTRUCTIONS- HINGED SEAT AFTER MOUNTING FIXTURE TO WALL

- A- REMOVE ACCESS PANEL ① FROM BOTH SIDES OF HOUSING ②.
- B- PLACE RUBBER GASKET ③ ONTO SEAT'S THREADED RODS ④.
- C- POSITION SEAT ONTO TOILET HOUSING ② AND SLIDE SEAT THREADED RODS ④ THROUGH SPACER ⑤.

- D- ASSEMBLE HARDWARE ⑥ AS SHOWN IN DETAIL "A".
- E- ENSURE ALL HARDWARE IS TIGHT AND REPLACE ACCESS PANELS ① TO HOUSING ②.



ACORN ENGINEERING COMPANY
P.O. BOX 3527 INDUSTRY, CA. 91744
(626) 336-4561 FAX (626) 961-2200

<p>TITLE -HS HINGED SEAT INSTALLATION DETAIL MERIDIAN TOILETS</p>		
<p>MANUFACTURE DATE</p> <p>APRIL 2008</p> <p>TO PRESENT</p>	<p>DATE ISSUED</p> <p>04/08/08</p> <p>DATE REVISED</p>	<p>DRAWING NUMBER</p> <p>9927-527-001</p>