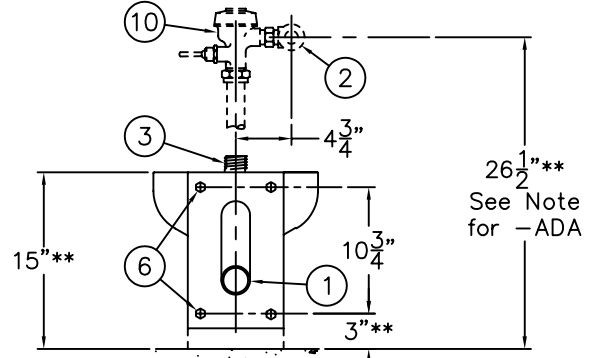
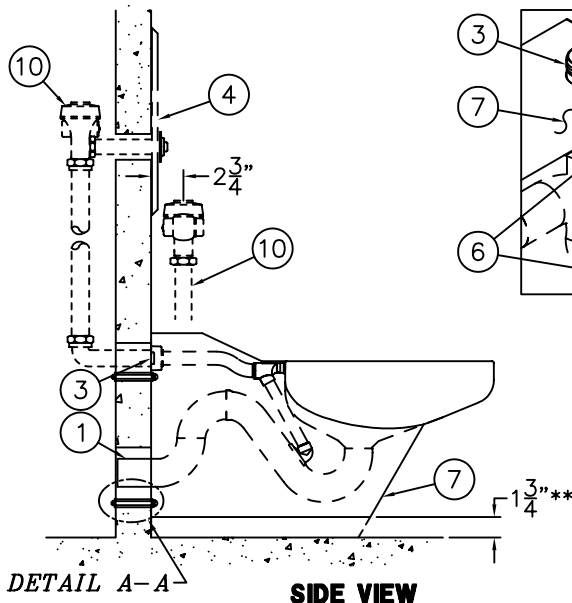


TOP VIEW

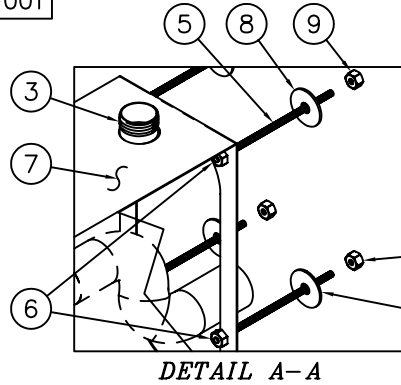
REFERENCE DRAWINGS	
-SW WALL SLEEVE	9927-526-001
-MT METAL TEMPLATE	9927-526-001



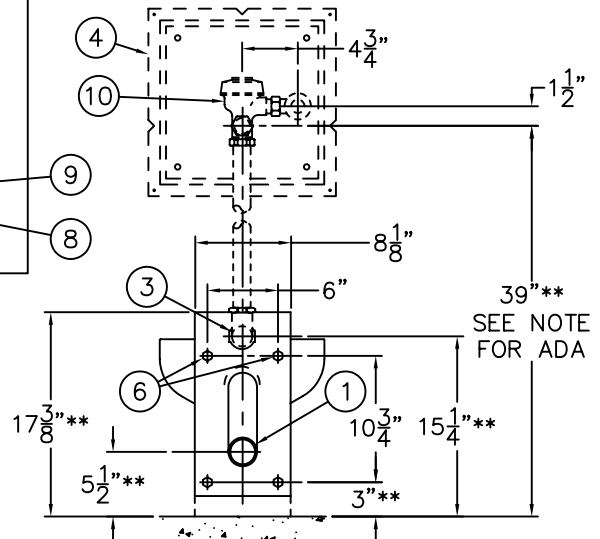
**-T TOP SUPPLY
VIEW IS FROM REAR OF FIXTURE**



SIDE VIEW



DETAIL A-A



**-W WALL SUPPLY
VIEW IS FROM REAR OF FIXTURE**

INSTALLATION INSTRUCTIONS:

- A- ROUGH-IN FOR THE FOLLOWING:
 - 2-3/8" OD PLAIN END WASTE (1), OR FOR OPTIONAL -W03, 3" OD PLAIN END.
 - FLUSH VALVE INLET 1" NPT (2).
 - FIXTURE FLUSHING INLET 1-1/2" NPT (3).
- B- FOR OPTIONAL 2898 FLUSH VALVE ACCESS PANEL (4): FOR BACK SUPPLY FLUSH VALVES REFER TO DRAWING #9908-399-001.
- C- THREAD 1/2"-13 UNC STUDS (5) (1/2" ENGAGEMENT MINIMUM) PROVIDED ONTO MOUNTING POINTS (6) LOCATED ON THE REAR OF THE FIXTURE.
- D- ALIGN FIXTURE (7) WITH THROUGH WALL OPENINGS ON OPTIONAL -SW WALL SLEEVE OR PROVIDED BY INSTALLER AND SLIDE AGAINST THE WALL.
- E- PLACE WASHERS (8) & NUTS (9) ONTO STUDS (5) FROM CHASE SIDE AND TIGHTEN TO 60 FT. LBS.
- F- MAKE UP SUPPLY (3) AND WASTE (1) CONNECTIONS.

- G- FOR OPTIONAL -FV FLUSH VALVE: CONNECT FLUSH VALVE (10) AS REQUIRED FOR CONCEALED OR EXPOSED INSTALLATION PER MANUFACTURER'S RECOMMENDATIONS.

NOTE: FOR -ADA UNITS REFER TO ADA ACCESSIBILITY GUIDELINES FOR COMPLETE INSTALLATION REQUIREMENTS.

ALL VERTICAL DIMENSIONS INDICATED** INCREASE PROPORTIONATELY WITH ADA SEAT HEIGHT: FOR ADA 17" SEAT HEIGHT, -W FLUSHING INLET (3) BECOMES 17-1/4".

FLUSH VALVE MUST BE HYDRAULICALLY ACTUATED OR SUPPLIED WITH AN ADA HANDLE. MAX CONTROL HEIGHT IS 44" ABOVE FINISHED FLOOR. ADA CONTROLS MUST BE LOCATED ON THE WIDE SIDE OF TOILET.

NOTE: USE ONLY APPROPRIATE UPC/cUPC CERTIFIED FLUSH VALVE FOR THE INSTALLATION OF THIS TOILET.

ACORN ENGINEERING COMPANY
P.O. BOX 3527 INDUSTRY, CA. 91744
(626) 336-4561 FAX (626) 961-2200

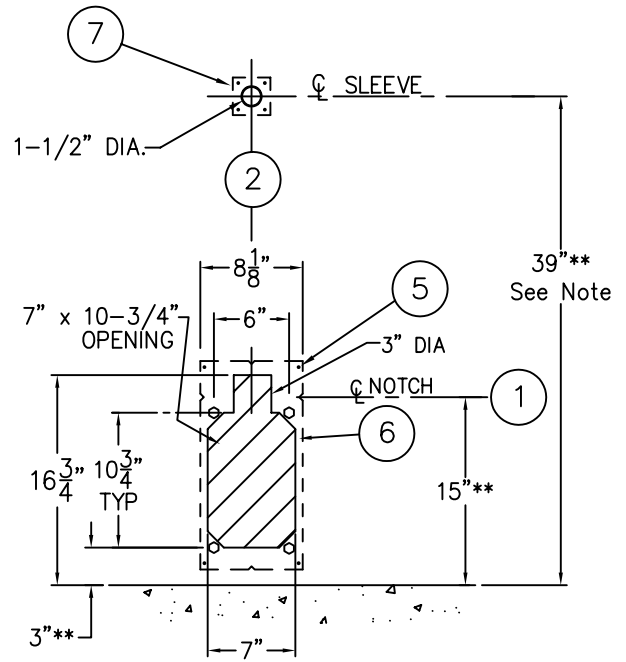
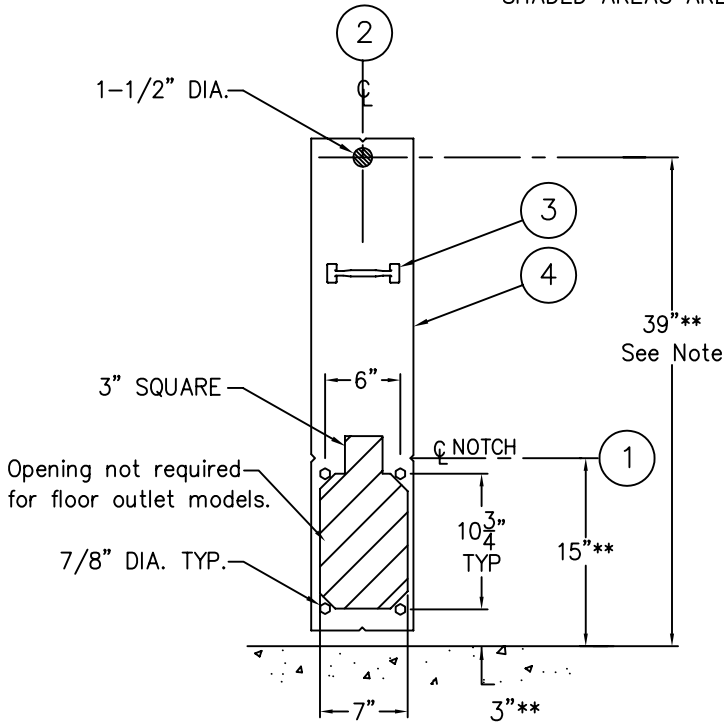
TITLE SIPHON JET, REAR MOUNT, ON/OFF FLOOR, WALL OUTLET -2141-W/T-1/2-RM

MANUFACTURE DATE	DATE ISSUED	DRAWING NUMBER
OCTOBER 1997	11/4/97	9927-522-001
TO PRESENT	DATE REVISED	
	03/01/07	



BOTH VIEWS ARE FROM CELL SIDE

SHADED AREAS ARE REQUIRED WALL OPENINGS



METAL TEMPLATE (-MT)

WALL SLEEVE (-SW)

NOTE: WHEN SUFFIX OPTION -ADA IS SPECIFIED:

- 1- ALL VERTICAL DIMENSIONS INDICATED** CHANGE ACCORDING TO ADDITIONAL SEAT HEIGHT FOR -ADA I.E. FOR 17" SEAT HEIGHT, FLUSHING INLET BECOMES 17-1/4".
- 2- FLUSH VALVE MUST BE HYDRAULICALLY ACTUATED OR SUPPLIED WITH A SPECIAL HANDLE, MAX. CONTROL HEIGHT IS 44" ABOVE FINISHED FLOOR. CONTROLS MUST BE LOCATED ON WIDE SIDE OF TOILET.

NOTE:

ON POURED WALL CONSTRUCTION, THE PUSHBUTTON SLEEVE, ITEM ⑦ IS CAPPED. THIS CAP MUST BE REMOVED FROM THE CHASE SIDE OF THE WALL, BEFORE INSTALLING F.V. PUSHBUTTON.

INSTALLATION INSTRUCTIONS

METAL TEMPLATES (-MT)

TEMPLATES ARE USED TO LAYOUT REQUIRED WALL OPENINGS FOR SUBSEQUENT FLAME CUTTING OR CORE DRILLING.

- A- STRIKE A HORIZONTAL CHALKLINE ① ON THE WALL 15" ABOVE FINISHED FLOOR. THIS WILL LOCATE CENTERLINE FOR HORIZONTAL NOTCHES ON TEMPLATE. (WHEN USING -HC OPTION SEE NOTE ABOVE)
- B- STRIKE A VERTICAL CHALKLINE ② ON THE WALL TO INDICATE CENTERLINE OF FIXTURE. THIS WILL LOCATE FOR VERTICAL NOTCHES ON TEMPLATE.
- C- USING HANDLE ③ ON TEMPLATE ④, PLACE TEMPLATE AGAINST THE WALL, LOCATING NOTCHES AT CHALKLINES. MARK FOR WALL OPENINGS.

WALL SLEEVES (-SW)

SLEEVES ARE INSTALLED IN FORMS (USING NAIL HOLES ⑤ PROVIDED) OR GROUTED INTO BLOCK WALLS, BECOMING A PERMANENT PART OF THE WALL.

NOTE: FOR POURED WALL CONSTRUCTION, TEMPORARY BRACING SHOULD BE INSTALLED WITHIN SLEEVE OPENING TO PREVENT DEFORMATION TO SLEEVE WHICH MAY OCCUR DURING POUR. DO NOT POUR CONCRETE DIRECTLY ON TOP OF WALL SLEEVE.

- A- INSTALL SLEEVE WITH FLANGE ⑥ ON CHASE SIDE OF WALL.
- B- TOP AND BOTTOM NOTCHES TO BE LOCATED AT VERTICAL CENTERLINE ② OF SLEEVE.
- C- SIDE NOTCHES ① TO BE LOCATED AT 15" ABOVE THE FINISHED CELL SIDE FLOOR (INTEGRAL TOILET SEAT HEIGHT).
- D- SEPARATE SLEEVE ⑦ FOR FLUSH VALVE PUSHBUTTON TO BE LOCATED 39" ABOVE FINISHED CELL SIDE FLOOR.

ACORN ENGINEERING COMPANY
P.O. BOX 3527 INDUSTRY, CA. 91744
(626) 336-4561 FAX (626) 961-2200

TITLE **-SW WALL SLEEVE, -MT METAL TEMPLATE (*2140/2141-W-1/2/3-RM) (2140-VAC-W-1-RM)**

MANUFACTURE DATE

**OCTOBER 1997
TO PRESENT**

DATE ISSUED

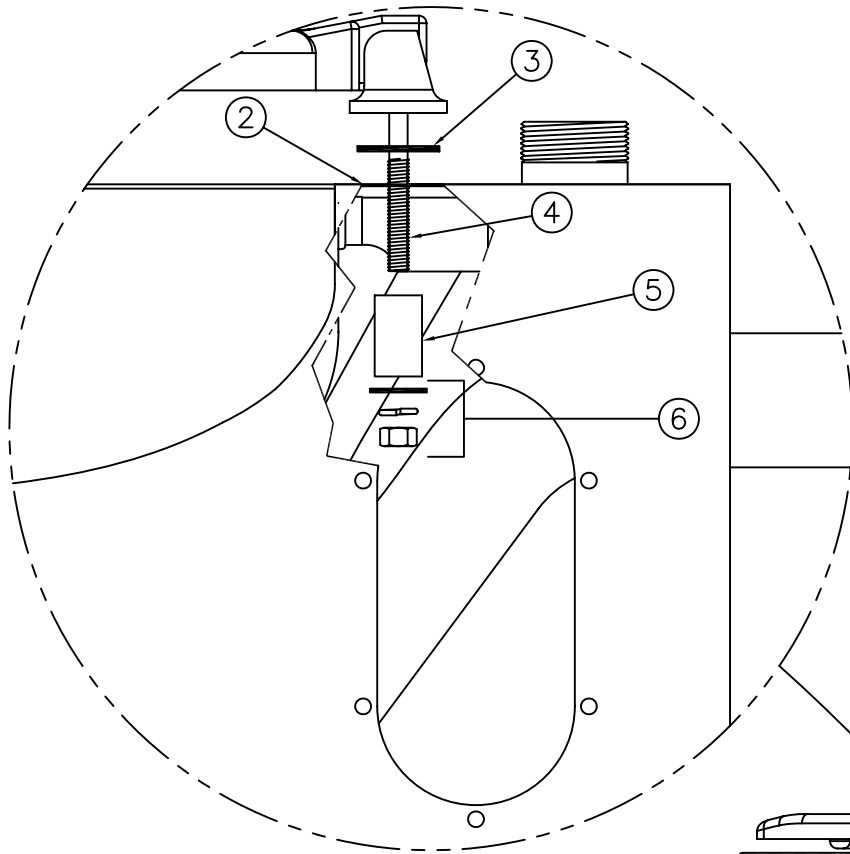
10/29/98

DATE REVISED

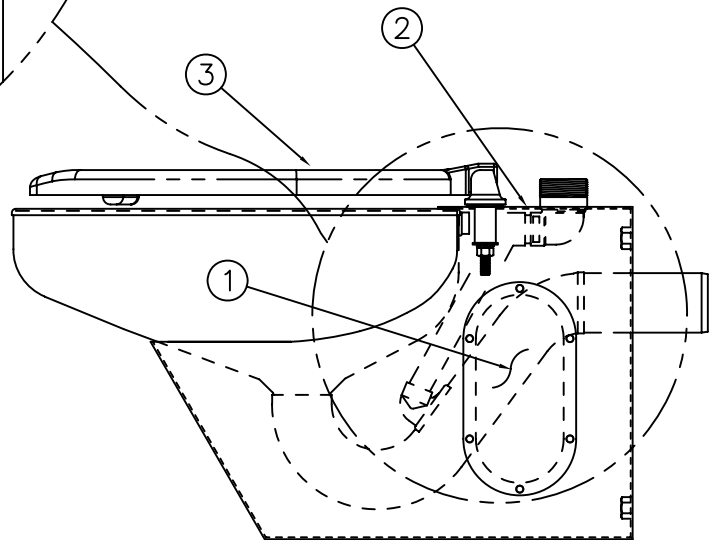
03/05/07

DRAWING NUMBER

9927-526-001



DETAIL -A



INSTALLATION INSTRUCTIONS- HINGED SEAT AFTER MOUNTING FIXTURE TO WALL

- A- REMOVE ACCESS PANEL ① FROM BOTH SIDES OF HOUSING ②.
- B- PLACE RUBBER GASKET ③ ONTO SEAT'S THREADED RODS ④.
- C- POSITION SEAT ONTO TOILET HOUSING ② AND SLIDE SEAT THREADED RODS ④ THROUGH SPACER ⑤.

- D- ASSEMBLE HARDWARE ⑥ AS SHOWN IN DETAIL "A".
- E- ENSURE ALL HARDWARE IS TIGHT AND REPLACE ACCESS PANELS ① TO HOUSING ②.



ACORN ENGINEERING COMPANY
P.O. BOX 3527 INDUSTRY, CA. 91744
(626) 336-4561 FAX (626) 961-2200

TITLE			-HS HINGED SEAT INSTALLATION DETAIL MERIDIAN TOILETS		
MANUFACTURE DATE		DATE ISSUED		DRAWING NUMBER	
APRIL 2008		04/08/08		9927-527-001	
TO PRESENT		DATE REVISED			