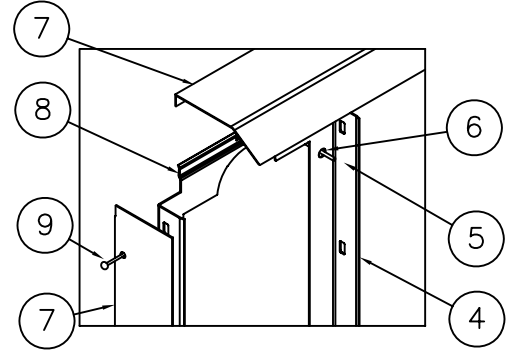
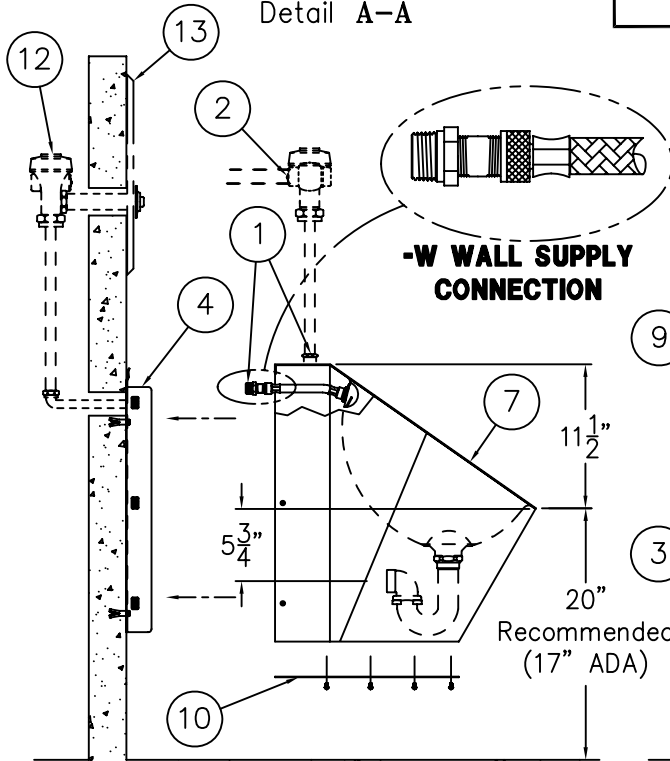


TOP VIEW

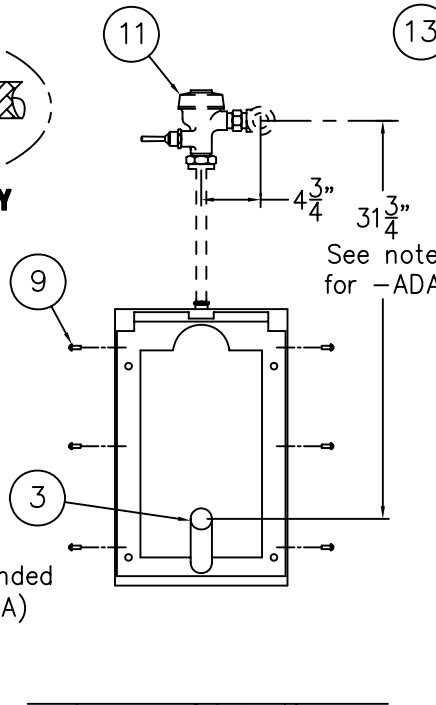
NOTE: USE ONLY APPROPRIATE UPC/cUPC CERTIFIED FLUSH VALVE FOR THE INSTALLATION OF THIS URINAL.



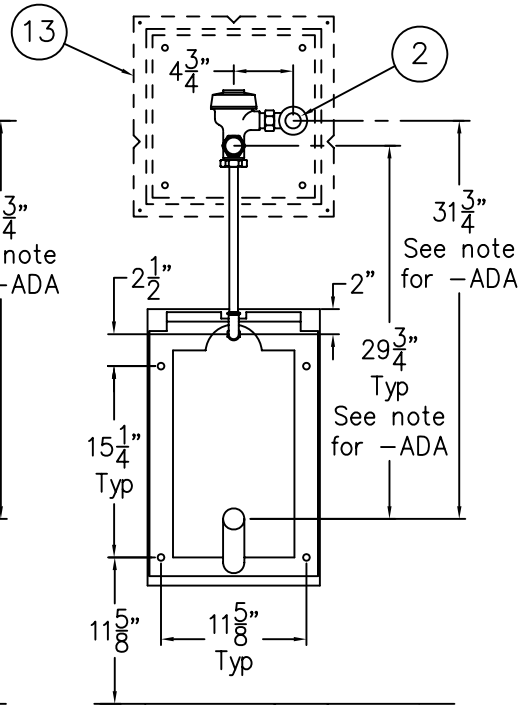
Detail A-A



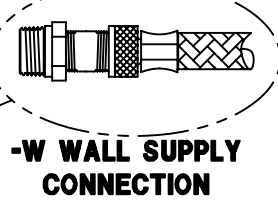
SIDE VIEW



REAR VIEW (T) TOP SUPPLY



REAR VIEW (W) WALL SUPPLY



-W WALL SUPPLY CONNECTION

INSTALLATION INSTRUCTIONS - FRONT MOUNT

- A-ROUGH-IN 3/4" NPT FOR URINAL FLUSHING INLET (1) (MALE ADAPTER PROVIDED WITH FLEXIBLE CONNECTION ON -W WALL SUPPLY MODELS).
- B-3/4" NPT FLUSH VALVE INLET (2) WHEN -FV FLUSH VALVE PROVIDED.
- C-ROUGH-IN 2" WASTE FOR 1-1/2" NPT FEMALE WASTE OUTLET (3).
- D-IF OPTIONAL 2898 FLUSH VALVE ACCESS PANEL (13) REQUIRED FOR BACK SUPPLY FLUSH VALVES, INSTALL SLEEVE. SEE DRAWING #9908-399-001.
- E-ANCHOR MOUNTING CHANNEL (4) TO WALL BY USING HARDWARE (5) AND WALL ANCHORS (6) BY OTHERS.
- F-PLACE URINAL (7) UP AGAINST THE WALL. SLIDE TOP OF URINAL (7) ONTO CHANNEL S-CLIP (8). SEE DETAIL A-A. ATTACH SIDE OF URINAL (7) TO MOUNTING CHANNEL (4) USING 1/4"-20 CENTER REJECT SCREWS (9) PROVIDED.

- G-REMOVE ACCESS PANEL (10) & MAKE UP URINAL WASTE CONNECTION (3).
- H-FOR OPTIONAL -FV FLUSH VALVE: CONNECT FLUSH VALVE AS REQUIRED FOR EXPOSED (11) OR CONCEALED (12) INSTALLATION PER MANUFACTURERS' RECOMMENDATIONS. -W WALL SUPPLY FLUSH VALVE, ACCESS FOR CONNECTION AND SERVICING FLUSH VALVE IS REQUIRED.

NOTES:

FOR SUFFIX OPTION -ADA UNITS, REFER TO ADA ACCESSIBILITY GUIDELINES FOR COMPLETE INSTALLATION REQUIREMENTS.

- 1-FLUSH VALVE MUST BE HYDRAULICALLY ACTUATED OR SUPPLIED WITH A SPECIAL HANDLE, MAX. CONTROL HEIGHT IS 44" ABOVE FINISHED FLOOR.
- 2-URINAL RIM HEIGHT BECOMES 17" MAXIMUM.



ACORN ENGINEERING COMPANY
P.O. BOX 3527 INDUSTRY, CA. 91744
(626) 336-4561 FAX (626) 961-2200

TITLE DECCO URINAL OFF FLOOR, WALL OUTLET (CAT. #2155-W/T-1-FM)		
MANUFACTURE DATE OCTOBER 1997 TO PRESENT	DATE ISSUED 11/3/97	DRAWING NUMBER 9927-590-001
	DATE REVISED 08/28/08	