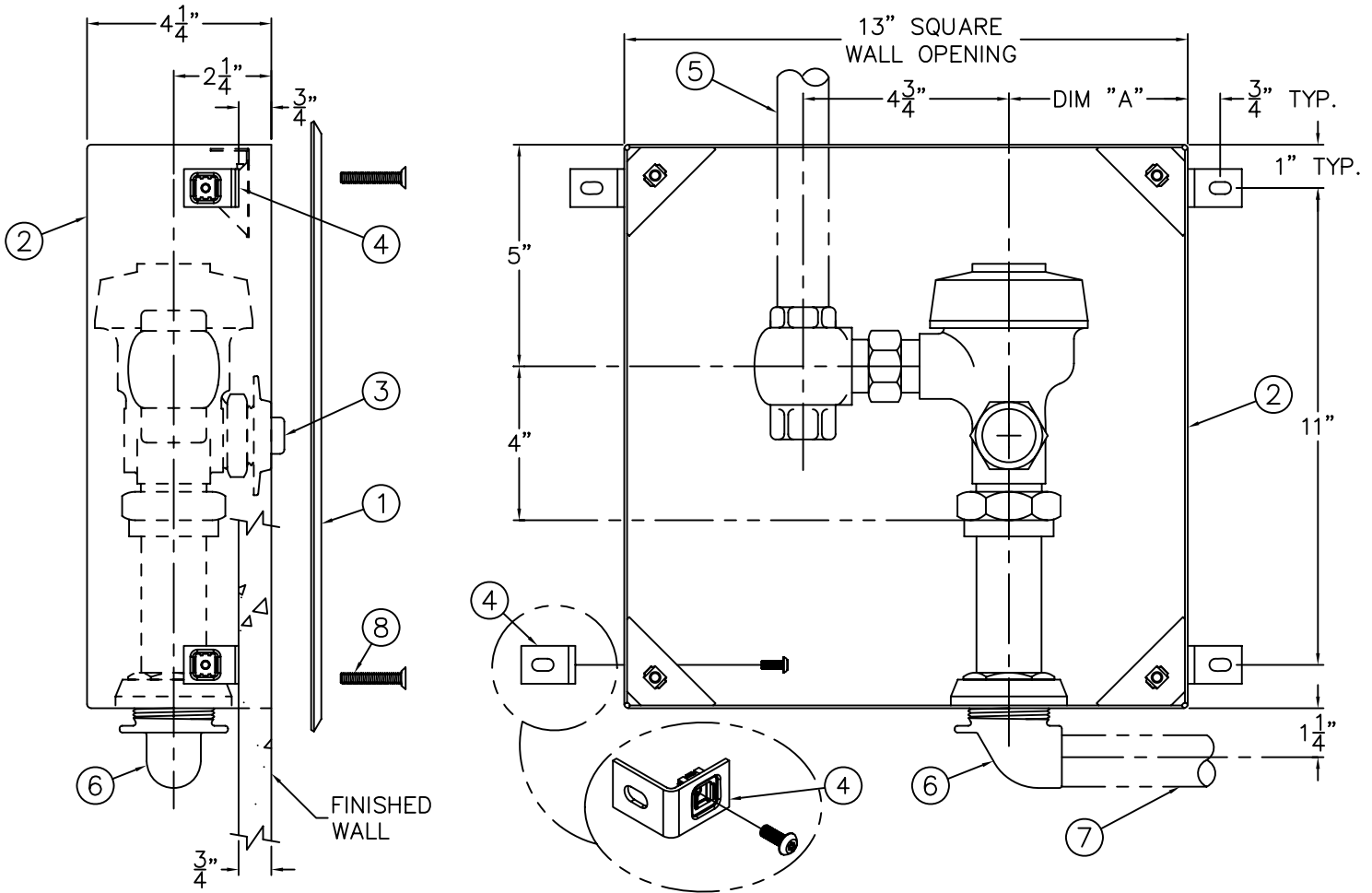




FLUSH VALVE TYPE	DIM "A"
STANDARD	4-1/8"
HYDRAULIC	6-1/2"



**REFERENCE DRAWINGS**

SECURITY FASTENERS	9951-005-001
TINNERMAN NUTS	9951-007-001

**INSTALLATION INSTRUCTIONS:**

- A- REMOVE BOX COVER (1) FROM BOX ASSY AND INSTALL BOX (2) RELATIVE TO PUSHBUTTON (3) HEIGHT AND LOCATION PRIOR TO COMPLETING FINISHED WALLS OR BLOCK-OUT FOR ENCLOSURE USING DIMENSIONS SHOWN. 42" AFF RECOMMENDED FOR PUSHBUTTON HEIGHT.
- B- SECURE BOX INTO WALL OPENING WITH MOUNTING CLIPS (4) PROVIDED OR REMOVE MOUNTING CLIPS AND FASTEN DIRECTLY ONTO FRAMED WALL THRU OPENINGS IN WALL BOX. WALL BOX FRONT EDGE SHOULD BE FLUSH WITH FINISHED WALL.

**IMPORTANT:** DISTANCE FROM FLUSH VALVE TO FIXTURE SHOULD BE KEPT TO A MINIMUM WITH A RECOMMENDED MAXIMUM OF 144" PIPING LENGTH. MOST CODES REQUIRE THAT THE CRITICAL LEVEL OF THE FLUSH VALVE BE AT LEAST 6" HIGHER THAN THE FLUSHING RIM.

- C- MAKE UP SUPPLY CONNECTION THRU 1-1/4" DIA. HOLE ON BOX FOR 1" NPT SUPPLY (5) BY OTHERS.
- D- MAKE UP FLUSHING INLET CONNECTION ROTATING BOX OUTLET (6) AS REQUIRED. 1" NCT OUTLET (7) IS BY OTHERS.
- E- REPLACE BOX COVER (1) TO RECESSED BOX WITH 1/4-20 UNC X 1-1/2" LONG STAINLESS STEEL VANDAL RESISTANT SCREWS (8) PROVIDED.

ACORN ENGINEERING COMPANY P.O. BOX 3527 INDUSTRY, CA. 91744 (626) 336-4561 FAX (626) 961-2200	<b>TITLE</b> <b>RECESSED WALL BOX w/ FLUSH VALVE MODEL No. 2803-1</b>	
	<b>MANUFACTURE DATE</b> <b>MARCH 2005</b> <b>TO PRESENT</b>	<b>DATE ISSUED</b> <b>05/01/06</b> <b>DATE REVISED</b> <b>11/20/07</b>