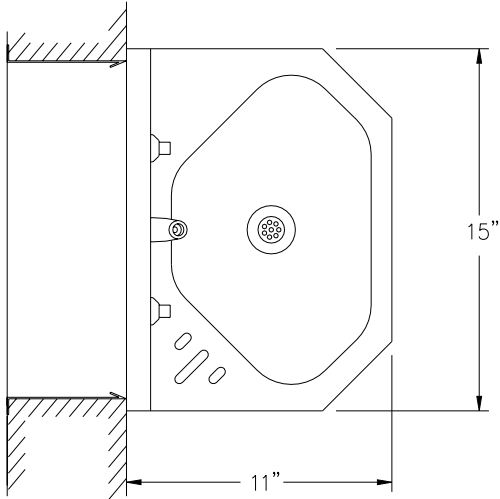
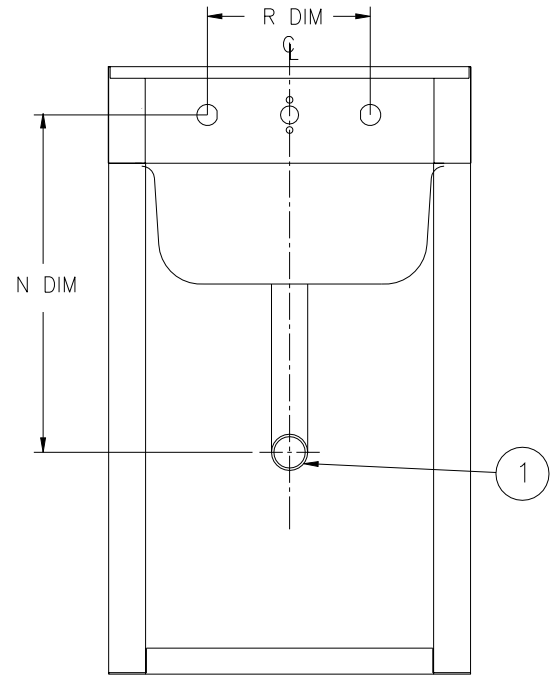
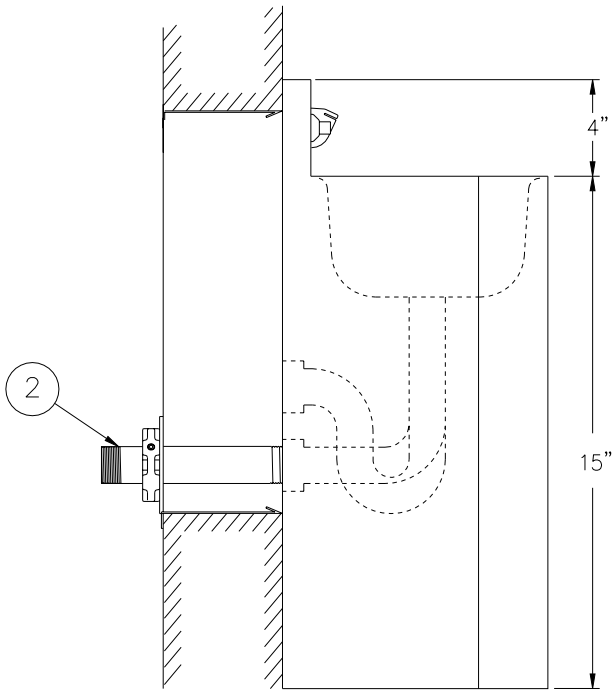




**NOTE:** USE MOUNTING HARDWARE FROM ORIGINAL UNIT TO MOUNT THE REPLACEWARE UNIT.



REFERENCE DRAWINGS	
-4 AIR-CONTROL (HOT & COLD)	9905-010-003
-3 AIR-CONTROL (SINGLE TEMP.)	9905-011-003
3395 ANCHORING ASSEMBLY	9925-759-001



**REAR VIEW**

**INSTALLATION INSTRUCTIONS:**

- A-REFER TO VALVE INSTALLATION SHEETS LISTED. INSTALL VALVE TO FIXTURE. VALVE PROVIDES UPPER FIXTURE SUPPORT.
- B-MAKE UP FIXTURE WASTE CONNECTION 1-1/4" NPT ① FEMALE. RECOMMENDED ADDITIONAL MOUNTING IS WITH OPTIONAL MODEL #3395 MOUNTING ADAPTER ② .

<p><b>ACORN ENGINEERING COMPANY</b> P.O. BOX 3527 INDUSTRY, CA. 91744 (626) 336-4561 FAX (626) 961-2200</p>	<p>TITLE <b>15" COMPACT LAVATORY CAT #3325 SERIES</b></p>		
	<p>MANUFACTURE DATE <b>MARCH 12 1999</b> <b>TO PRESENT</b></p>	<p>DATE ISSUED <b>03-12-99</b></p>	<p>DRAWING NUMBER <b>9925-755-001</b></p>
		<p>DATE REVISED <b>07-09-99</b></p>	