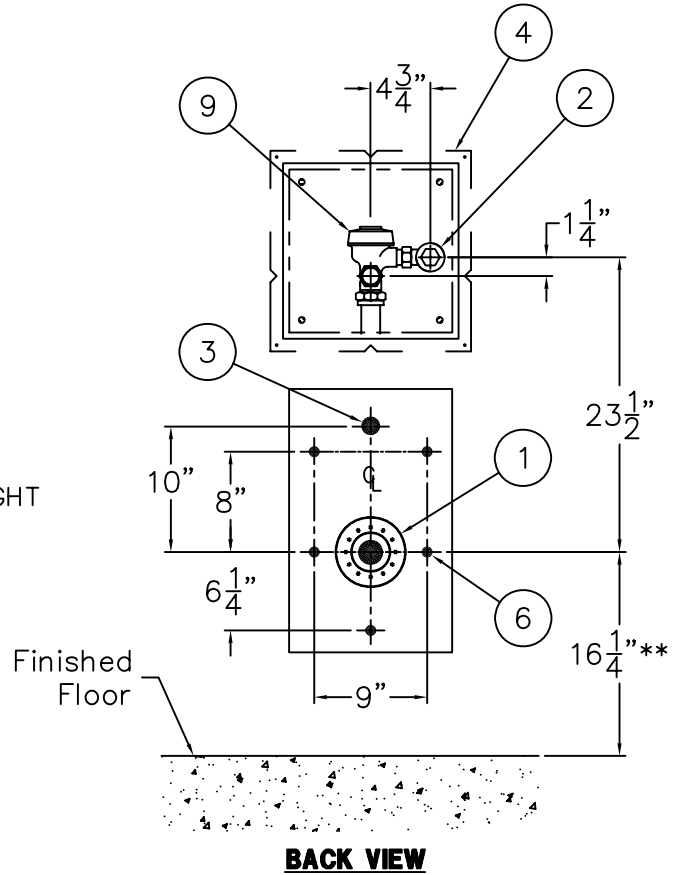
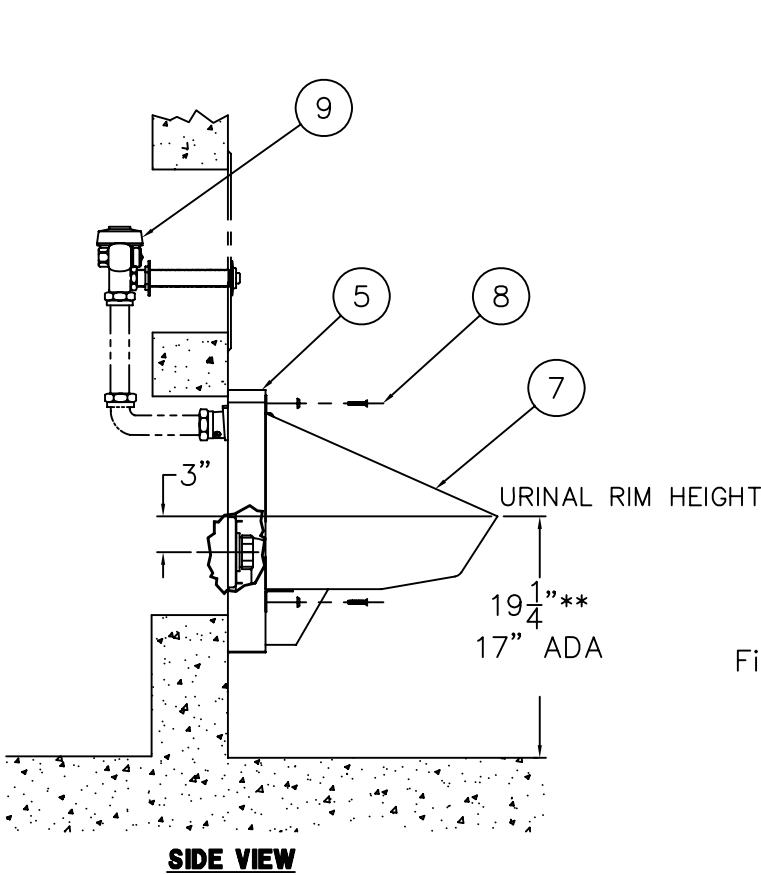




REFERENCE DRAWING	
Flush Valve Access Panel Model No. 2898	9908-399-001



**INSTALLATION INSTRUCTIONS:**

- A- ROUGH-IN FOR THE FOLLOWING:
  - 5-1/2" RECESSED GASKET FLANGE (1).
  - FLUSH VALVE INLET 1" NPT (2).
  - FIXTURE FLUSHING CONNECTION 1-1/2" NPT (3).
- B- IF AN OPTIONAL 2898 FLUSH VALVE ACCESS PANEL (4) IS REQUIRED FOR BACK SUPPLY FLUSH VALVE, INSTALL SLEEVE (SEE DRAWING #9908-399-001).
- C- ANCHOR ROUGH-IN ADAPTER BOX (5) AGAINST WALL THROUGH 7/8" DIA ANCHOR HOLES (6) (WALL ANCHORS & HARDWARE BY OTHERS).
- D- MOUNT URINAL (7) TO ADAPTER BOX (5) BY USING SCREWS (8) PROVIDED.
- E- SUFFIX -FV OPTIONAL CONNECT FLUSH VALVE. CONNECT FLUSH VALVE (9) PER MANUFACTURERS' RECOMMENDATIONS.

**NOTE:** FOR ADA UNITS REFER TO ADA ACCESSIBILITY GUIDELINES FOR COMPLETE INSTALLATION REQUIREMENTS.

FLUSH VALVES MUST BE HYDRAULICALLY ACTUATED OR SUPPLIED WITH AN ADA HANDLE. MAX CONTROL HEIGHT IS 44" ABOVE FINISHED FLOOR.

WHEN SUFFIX OPTION -ADA IS SPECIFIED; 19-1/4" RIM HEIGHT BECOMES 17" MAXIMUM. ALL VERTICAL DIMENSIONS INDICATED\*\* DECREASE ACCORDINGLY.

ACORN ENGINEERING COMPANY P.O. BOX 3527 INDUSTRY, CA. 91744 (626) 336-4561 FAX (626) 961-2200	<b>TITLE</b> STRADDLE BLOWOUT JET URINAL (CAT. #3349)		
	<b>MANUFACTURE DATE</b> JUNE 1990 TO PRESENT	<b>DATE ISSUED</b> 07/13/99	<b>DRAWING NUMBER</b> 9925-743-001
		<b>DATE REVISED</b> 08/28/07	