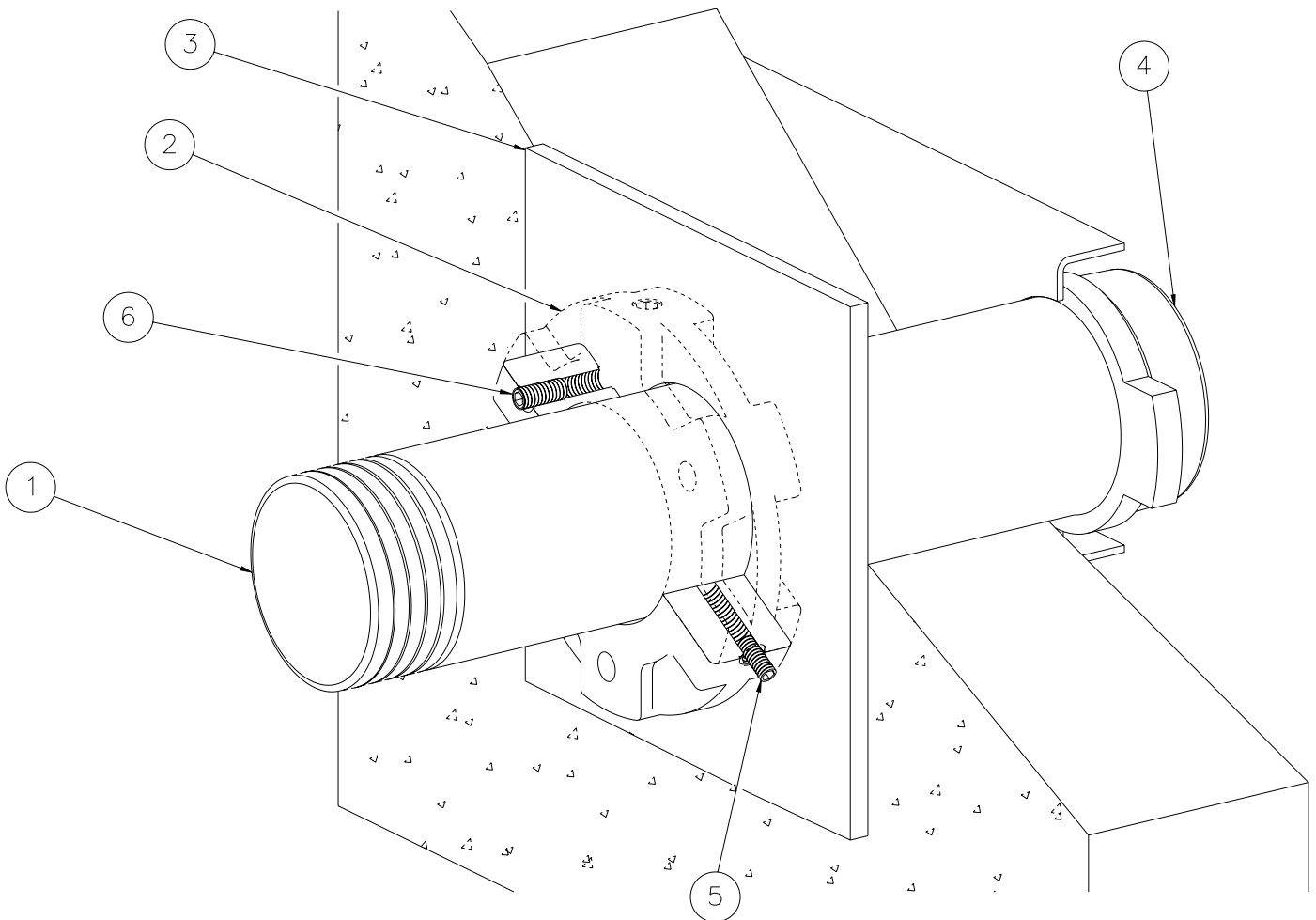
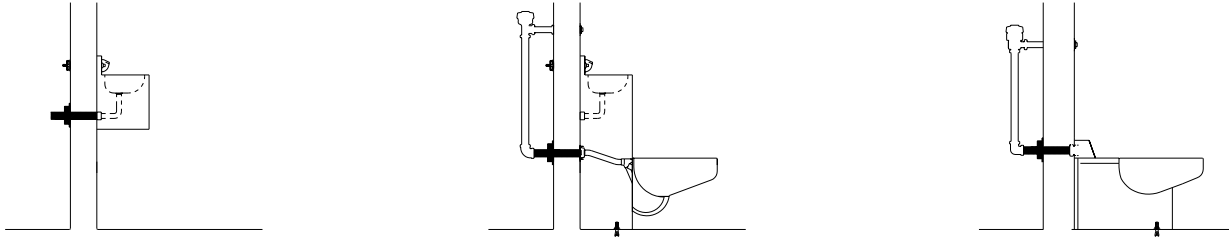




**INSTALLATION INSTRUCTIONS:**

- A-SECURE PIPE ① TO FIXTURE CONNECTION ④ THRU WALL.
- B-PLACE THRUST PLATE ③ FLUSH AGAINST WALL.
- C-PLACE ANCHORING COLLAR ② FLUSH AGAINST THRUST PLATE ③.
- D-HOLD UNIT AGAINST WALL, PARALLEL TO THE FLOOR.
- E-TIGHTEN SCREWS ⑤ (3 PLACES) TO SECURE ANCHORING COLLAR ② TO PIPE ①.
- F-TIGHTEN SCREWS ⑥ (3 PLACES) TO PULL PIPE ① AND PUSH AGAINST THRUST PLATE ③ IN ORDER TO HOLD FIXTURE IN TENSION AGAINST WALL.



**ACORN ENGINEERING COMPANY**  
 P.O. BOX 3527 INDUSTRY, CA. 91744  
 (626) 336-4561 FAX (626) 961-2200

TITLE		<b>3395 ANCHORING ASSEMBLY</b>	
MANUFACTURE DATE	DATE ISSUED		DRAWING NUMBER
	<b>MAY 1998</b>		
<b>TO PRESENT</b>	DATE REVISED		<b>9925-759-001</b>