

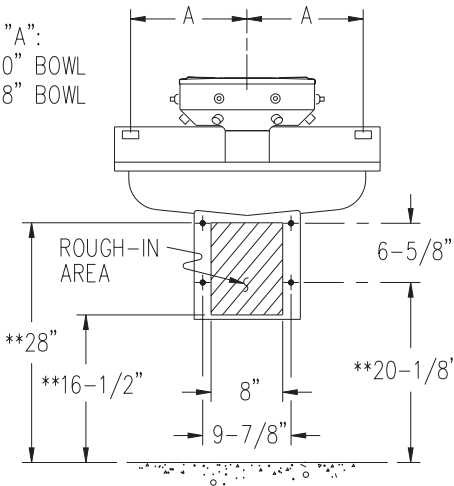


REFERENCE DRAWINGS		
HAND BUTTON (-H)		9957-300-001
SPRAY NOZZLES - STRAIGHT		9971-000-001
SPRAY NOZZLES - ELBOW		9971-001-001
METERING SERVOMOTOR (-H)		9955-000-002
SENSOR/SOLENOID VALVE (-SO)		9955-015-002
STANDARD MIXING VALVE		9975-034-001
PRESSURE BALANCE MIXER (-MXP)		9975-034-001
THERMOSTATIC BALANCE MIXER (-MXT)		9975-202-002
CHECK STOP/STRAINER		9956-040-003
MULTI-PURPOSE WRENCH		9951-000-001
SOAP DISPENSERS		
POWDERED SOAP (-DP)		9965-200-001
LIQUID / LOTION SOAP (-DV)		9965-230-002

PRODUCT ROUGH-IN AND INSTALLATION REQUIRES THE FOLLOWING MATERIALS, NOT SUPPLIED BY ACORN ENGINEERING COMPANY.

- 3/4" NCT SUPPLIES TO VALVE ASSEMBLY (1/2" NPS INLETS)
- 1 1/2" P-TRAP, DRAINLINE AND WASTE FITTINGS
- SUITABLE FLOOR AND WALL ANCHORS FOR FIXTURE MOUNTING

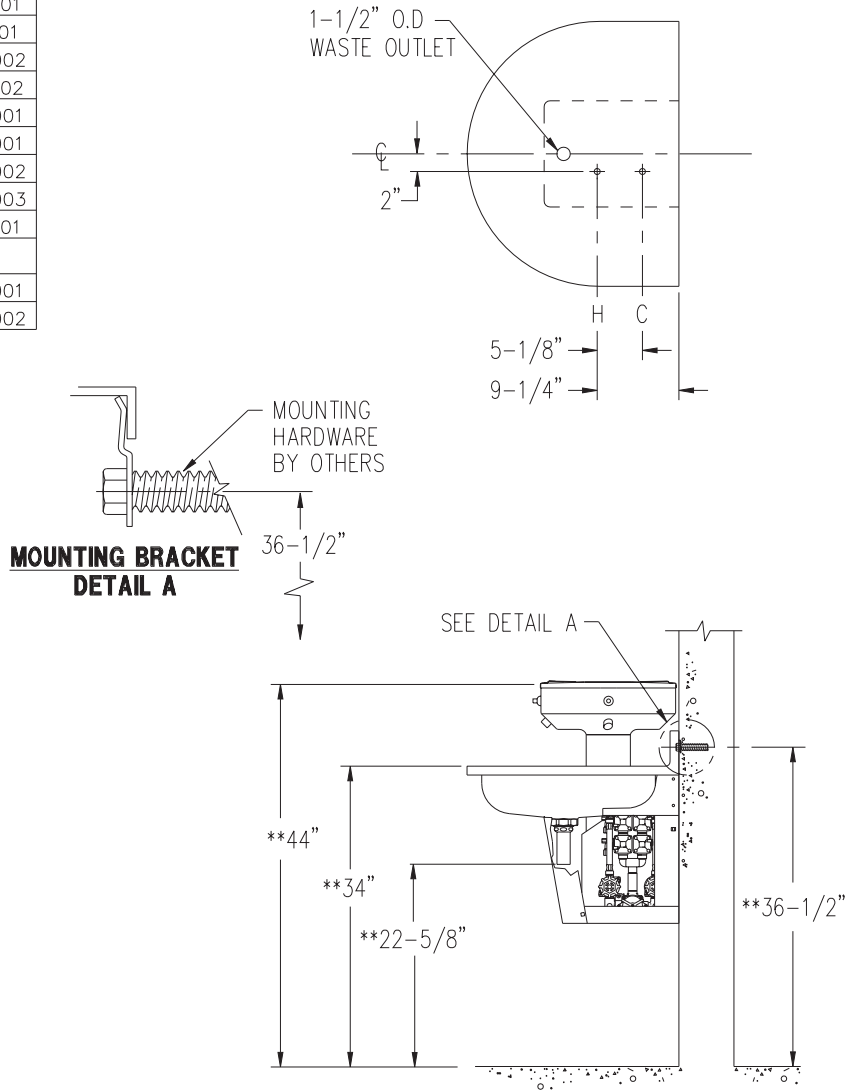
NOTE:
DIMENSION "A":
13" WITH 30" BOWL
17" WITH 38" BOWL



NOTE: REFER TO A.D.A. ACCESSIBILITY GUIDELINES FOR COMPLETE INSTALLATION REQUIREMENTS.

INSTALLATION INSTRUCTIONS

- A- ROUGH-IN PLUMBING AND FLUSH SUPPLY LINES.
- B- REMOVE PEDESTAL SKIRT.
- C- INSTALL WALL BRACKETS (SEE DETAIL A).
- D- INSTALL WALL ANCHORS AND ATTACH FIXTURE.
- E- MAKE WASTE CONNECTION (1-1/2" x 4" TAILPIECE).
- F- CONNECT SUPPLIES TO 1/2" NPS VALVE INLETS.
- G- ADJUST MIXING VALVE TO DESIRED TEMPERATURE (SINGLE-TROL AND SAFTI-TROL VALVES ONLY).
- H- SET TIMING CYCLE ON METERING VALVES, SEE DWG. 9955-000-002 FOR DETAILS AND INSTRUCTIONS.



NOTE: FOR UNITS WITH -JH JUNIOR RIM HEIGHT, SUBTRACT DIFFERENCE FROM ALL VERTICAL DIMENSIONS INDICATED WITH **.

FOR -SO SENSOR OPERATION: SUPPLY 120V 60HZ 3 AMPS (MAX) POWER TO FACTORY INSTALLED TRANSFORMER (WITH JUNCTION BOX). LOCATE ELECTRICAL STUBOUT WITHIN SHADED ROUGH-IN AREA.

NOTE: TRANSFORMER MUST BE WIRED TO A GFI PROTECTED CIRCUIT. FIXTURE MUST BE EARTH GROUNDED PER N.E.C. (NATIONAL ELECTRICAL CODE)

NOTE:
MAXIMUM RECOMMENDED WORKING WATER PRESSURE IS 100 PSI; TEMPERATURE IS 130°F; OUTLET TEMPERATURE IS RECOMMENDED AT A MAXIMUM OF 105°F.

WARNING:
PRIOR TO MAKING INSTALLATION, SUPPLY LINES MUST BE FLUSHED OF ALL FOREIGN MATERIAL SUCH AS PIPE DOPE, CHIPS, ETC. VALVE MUST BE DRAINED PRIOR TO BEING SUBJECTED TO FREEZING TEMPERATURES. MAXIMUM RECOMMENDED OUTLET WATER TEMPERATURE IS 105°F.

ACORN ENGINEERING COMPANY
P.O. BOX 3527 INDUSTRY, CA. 91744
(626) 336-4561 FAX (626) 961-2200

TITLE
SEMI-CIRC OFF FLOOR MULTI-LAV CAT* 3422-1, 3423-1, 3423-ADA-1 & 3424-ADA-1

MANUFACTURE DATE	DATE ISSUED	DRAWING NUMBER
OCTOBER 1999	05/04/01	9912-050-003
TO PRESENT	DATE REVISED	
	11/25/03	

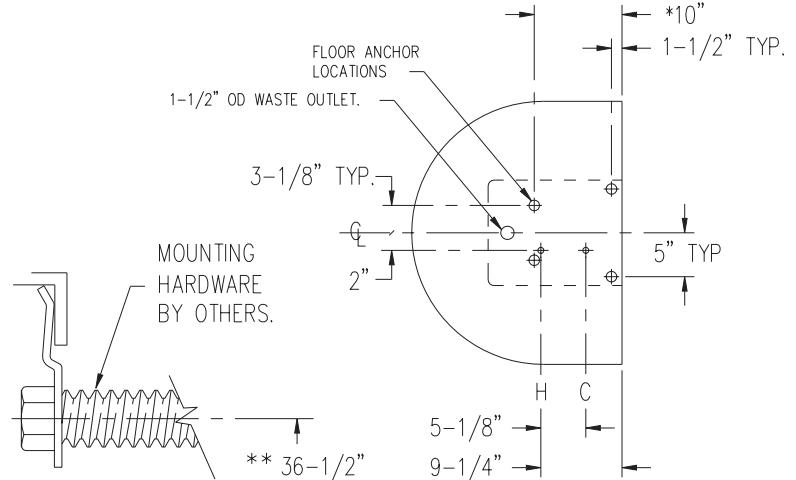


REFERENCE DRAWINGS		
HAND BUTTON (-H)		9957-300-001
SPRAY NOZZLES - STRAIGHT		9971-000-001
SPRAY NOZZLES - ELBOW		9971-001-001
METERING SERVOMOTOR (-H)		9955-000-002
SENSOR/SOLENOID VALVE (-SO)		9955-015-002
STANDARD MIXING VALVE		9975-034-001
PRESSURE BALANCE MIXER (-MXP)		9975-034-001
THERMOSTATIC BALANCE MIXER (-MXT)		9975-202-002
CHECK STOP/STRAINER		9956-040-003
MULTI-PURPOSE WRENCH		9951-000-001
SOAP DISPENSERS		
POWDERED SOAP (-DP)		9965-200-001
LIQUID / LOTION SOAP (-DV)		9965-230-002

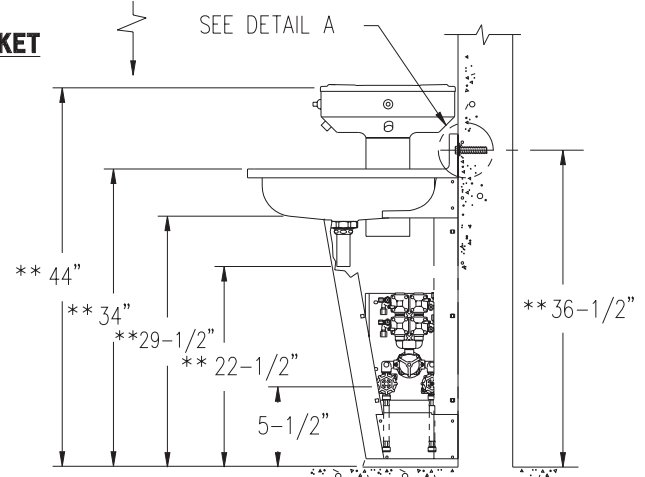
PRODUCT ROUGH-IN AND INSTALLATION REQUIRES THE FOLLOWING MATERIALS, NOT SUPPLIED BY ACORN ENGINEERING COMPANY.

- 3/4" NCT SUPPLIES TO VALVE ASSEMBLY (1/2" NPS INLETS)
- 1-1/2" P-TRAP DRAINLINE AND WASTELINE FITTINGS.
- SUITABLE FLOOR AND WALL ANCHORS FOR FIXTURE MOUNTING

*NOTE:
ON JR. HEIGHT MODELS
THIS DIMENSION IS 12"

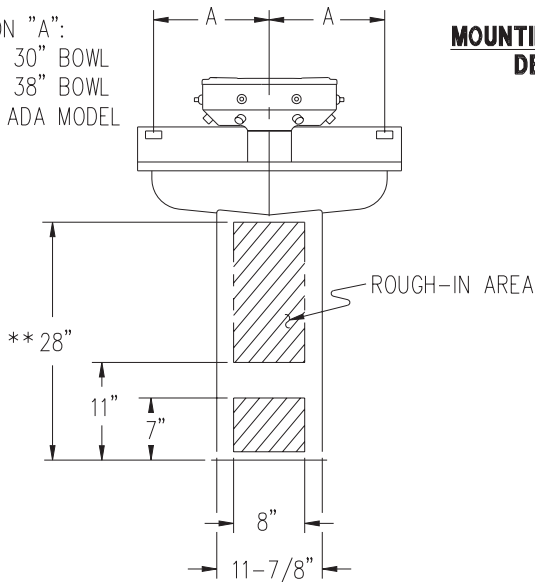


**MOUNTING BRACKET
DETAIL A**



NOTE: REFER TO A.D.A. ACCESSIBILITY GUIDELINES FOR COMPLETE INSTALLATION REQUIREMENTS.

NOTE:
DIMENSION "A":
13" WITH 30" BOWL
17" WITH 38" BOWL
17" FOR ADA MODEL



NOTE: FOR UNITS WITH -JH JUNIOR RIM HEIGHT, SUBTRACT DIFFERENCE FROM ALL VERTICAL DIMENSIONS INDICATED WITH **.

FOR -SO SENSOR OPERATION: SUPPLY 120V 60HZ 3 AMPS (MAX) POWER TO FACTORY INSTALLED TRANSFORMER (WITH JUNCTION BOX). LOCATE ELECTRICAL STUBOUT WITHIN SHADED ROUGH-IN AREA.

NOTE: TRANSFORMER MUST BE WIRED TO A GFI PROTECTED CIRCUIT. FIXTURE MUST BE EARTH GROUNDED PER N.E.C. (NATIONAL ELECTRICAL CODE)

NOTE:
MAXIMUM RECOMMENDED WORKING WATER PRESSURE IS 100 PSI; TEMPERATURE IS 130°F; OUTLET TEMPERATURE IS RECOMMENDED AT A MAXIMUM OF 105°F.

WARNING:
PRIOR TO MAKING INSTALLATION, SUPPLY LINES MUST BE FLUSHED OF ALL FOREIGN MATERIAL SUCH AS PIPE DOPE, CHIPS, ETC. VALVE MUST BE DRAINED PRIOR TO BEING SUBJECTED TO FREEZING TEMPERATURES. MAXIMUM RECOMMENDED OUTLET WATER TEMPERATURE IS 105°F.

INSTALLATION INSTRUCTIONS

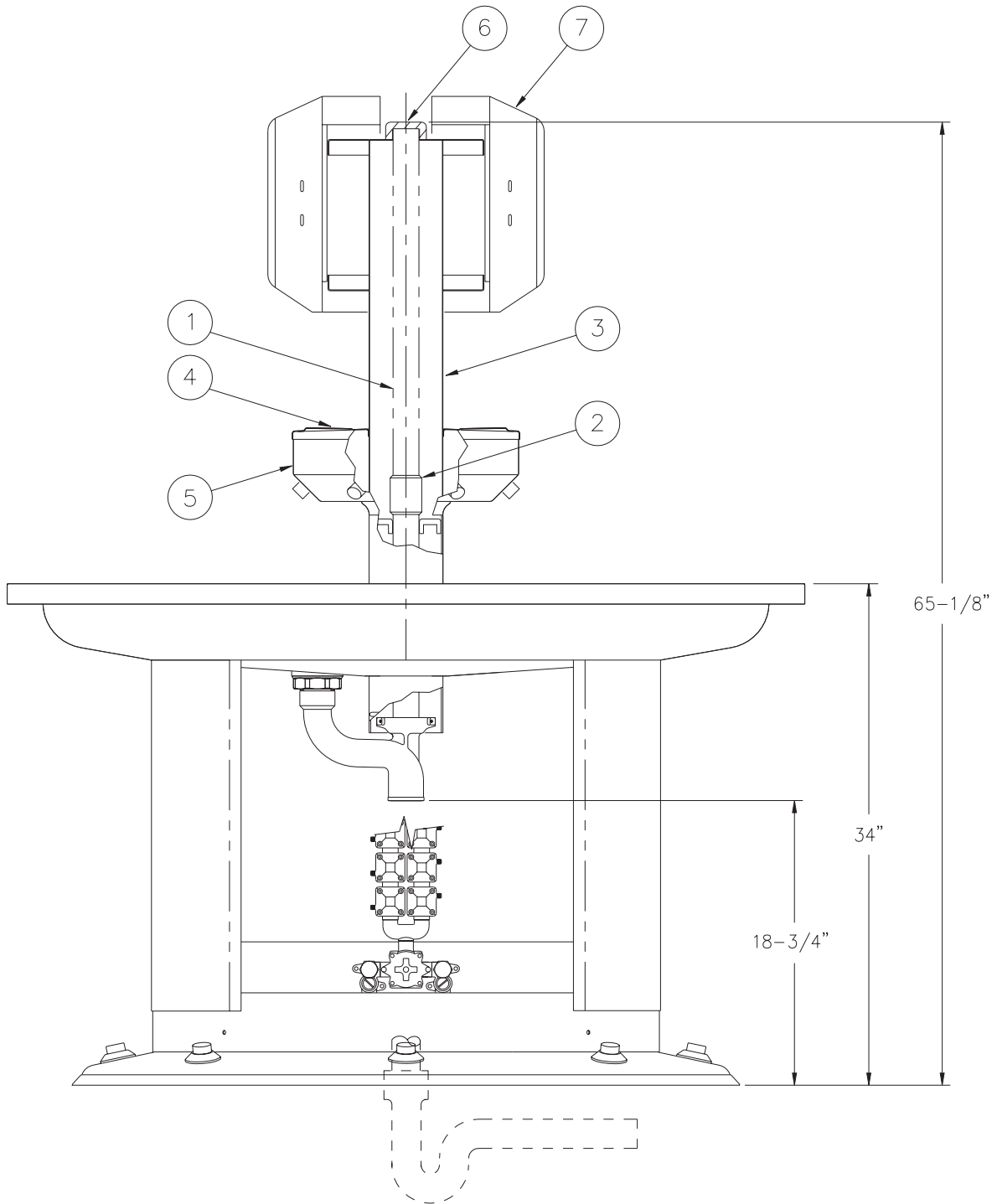
- A- ROUGH-IN PLUMBING AND FLUSH SUPPLY LINES.
- B- REMOVE PEDESTAL SKIRT.
- C- INSTALL WALL BRACKETS (SEE DETAIL A).
- D- INSTALL FLOOR ANCHORS AND ATTACH FIXTURE TO THE FLOOR.
- E- MAKE WASTE CONNECTION (1-1/2" x 4" TAILPIECE).
- F- CONNECT SUPPLIES TO 1/2" NPS VALVE INLETS.
- G- ADJUST MIXING VALVE TO DESIRED TEMPERATURE (SINGLE-TROL AND SAFTI-TROL VALVES ONLY).
- H- SET TIMING CYCLE ON METERING VALVES, SEE DWG. 9955-000-002 FOR DETAILS AND INSTRUCTIONS.



ACORN ENGINEERING COMPANY
P.O. BOX 3527 INDUSTRY, CA. 91744
(626) 336-4561 FAX (626) 961-2200

TITLE: **SEMI-CIRC ON FLOOR MULTI-LAV CAT# 3422-2, 3423-2, 3423-ADA-2 & 3424-ADA-2** (OLD CAT# 3432, 3433 & 3434)

MANUFACTURE DATE	DATE ISSUED	DRAWING NUMBER
OCTOBER 1999	05/04/01	9912-060-003
TO PRESENT	DATE REVISED	
	11/25/03	



INSTALLATION INSTRUCTIONS

A- SCREW 21-1/2" LONG REINFORCING PIPE ① INTO COUPLING ②.

B- INSERT TOWEL DISPENSER BRACKET ASSEMBLY ③ OVER REINFORCING PIPE ①.

C- ATTACH LID ④ TO SPRAYHEAD ⑤ WITH FASTENERS PROVIDED. INSTALL PIPE CAP ⑥.

D- ATTACH TOWEL DISPENSER ⑦ (FASTENERS PROVIDED).



ACORN ENGINEERING COMPANY
 P.O. BOX 3527 INDUSTRY, CA. 91744
 (626) 336-4561 FAX (626) 961-2200

TITLE **TOWEL DISPENSER BRACKET INSTALLATION**

MANUFACTURE DATE
AUG 1985
TO PRESENT

DATE ISSUED
12-1-89
 DATE REVISED
3-1-90

DRAWING NUMBER
9912-250-001