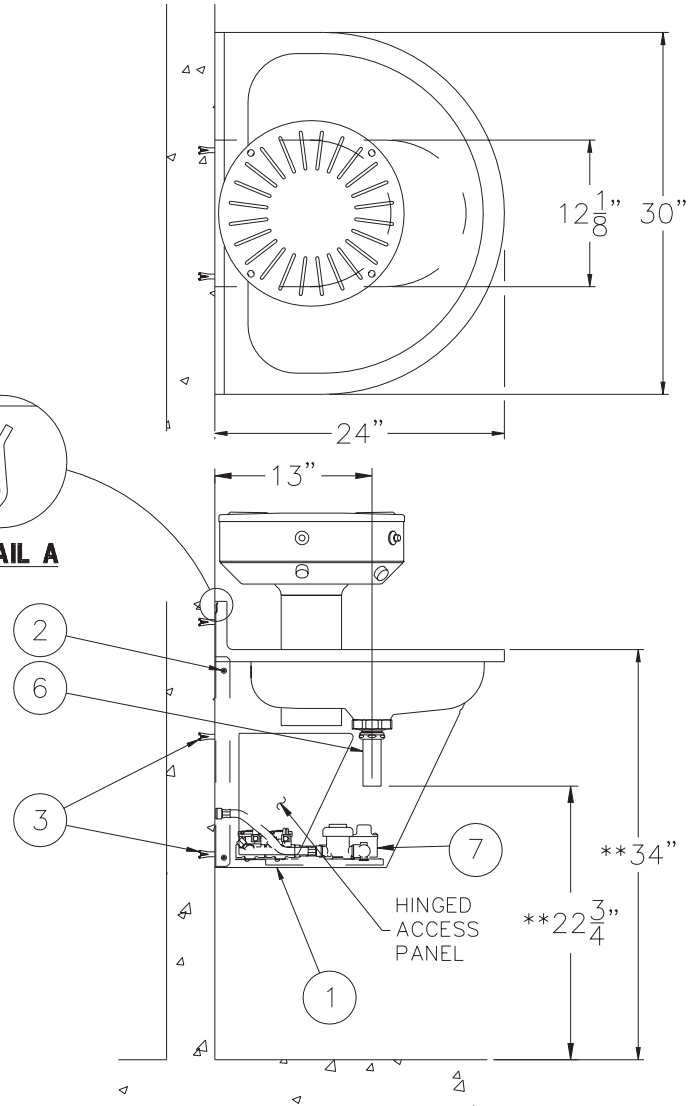
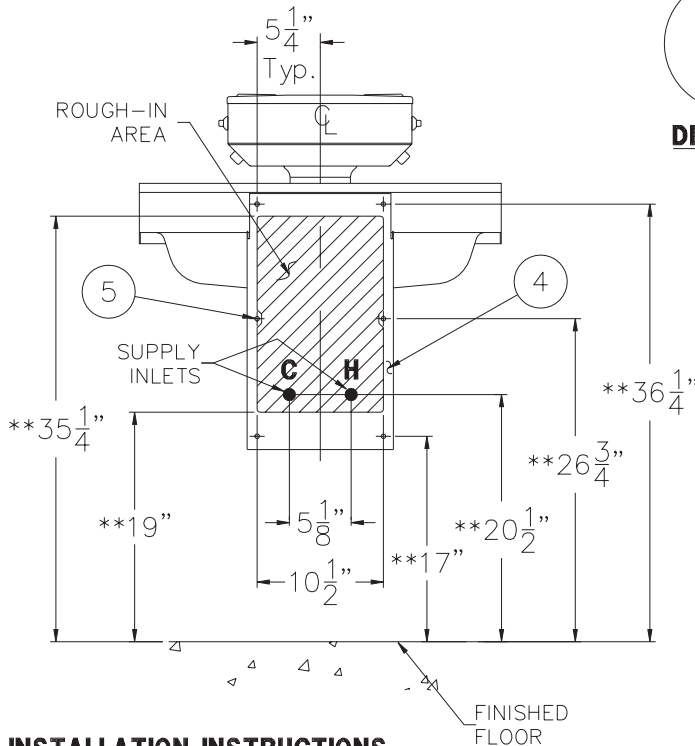




REFERENCE DRAWINGS		
HAND BUTTON (-H)		9957-300-001
SPRAY NOZZLES - STRAIGHT		9971-000-001
SPRAY NOZZLES - ELBOW		9971-001-001
METERING SERVOMOTOR (-H)		9955-000-002
SENSOR / SOLENOID VALVE (-SO)		9955-015-002
STANDARD MIXING VALVE		9975-034-001
PRESSURE BALANCE MIXER (-MXP)		9975-034-001
THERMOSTATIC BALANCE MIXER (-MXT)		9975-202-002
CHECK STOP / STRAINER		9956-040-003
MULTI-PURPOSE WRENCH		9951-000-001
SOAP DISPENSERS		
POWDERED SOAP (-DP)		9965-200-001
LIQUID / LOTION SOAP (-DV)		9965-230-002

VIEW IS FROM REAR OF FIXTURE



INSTALLATION INSTRUCTIONS:

- A-ROUGH-IN PLUMBING AND FLUSH SUPPLY LINES.
- B-REMOVE PEDESTAL SKIRT ① BY REMOVING VANDAL RESISTANT SCREWS ②.
- C-INSTALL WALL ANCHORS BY OTHERS ③.
- D-ANCHOR METAL TEMPLATE ④ TO WALL.
- E-ATTACH FIXTURE BY HANGING OVER JOGGLE ON METAL TEMPLATE (SEE DETAIL 'A') AND INSTALLING ANCHORING THROUGH MOUNTING POINTS ⑤.
- F-MAKE WASTE CONNECTION ⑥ (1-1/2" x 4" TAILPIECE).
- G-CONNECT SUPPLIES TO 1/2" NPS VALVE INLETS.
- H-ADJUST MIXING VALVE ⑦ TO DESIRED TEMPERATURE (SINGLE-TROL AND SAFTI-TROL VALVES ONLY).
- I-SET TIMING CYCLE ON METERING VALVES. SEE DWG. 9955-000-002 FOR DETAILS AND INSTRUCTIONS.
- J-REINSTALL PEDESTAL SKIRT ①.

NOTE: FOR UNITS WITH -JH JUNIOR RIM HEIGHT, SUBTRACT DIFFERENCE FROM ALL VERTICAL DIMENSIONS INDICATED WITH **.

FOR -SO SENSOR OPERATION:

SUPPLY 120V 60HZ 3AMPS (MAX) POWER TO FACTORY INSTALLED TRANSFORMER (WITH JUNCTION BOX). LOCATE ELECTRICAL STUBOUT WITHIN SHADED ROUGH-IN AREA.

NOTE: TRANSFORMER MUST BE WIRED TO A GFI PROTECTED CIRCUIT. FIXTURE MUST BE EARTH GROUNDING PER N.E.C. (NATIONAL ELECTRICAL CODE).

NOTE: MAXIMUM RECOMMENDED WORKING WATER PRESSURE IS 100 PSI; TEMPERATURE IS 130°F; OUTLET TEMPERATURE IS RECOMMENDED AT A MAXIMUM OF 105°F.

WARNING: PRIOR TO MAKING INSTALLATION, SUPPLY LINES MUST BE FLUSHED OF ALL FOREIGN MATERIAL SUCH AS PIPE DOPE, CHIPS, ETC. VALVE MUST BE DRAINED PRIOR TO BEING SUBJECTED TO FREEZING TEMPERATURES. MAXIMUM RECOMMENDED OUTLET WATER TEMPERATURE IS 105°F.



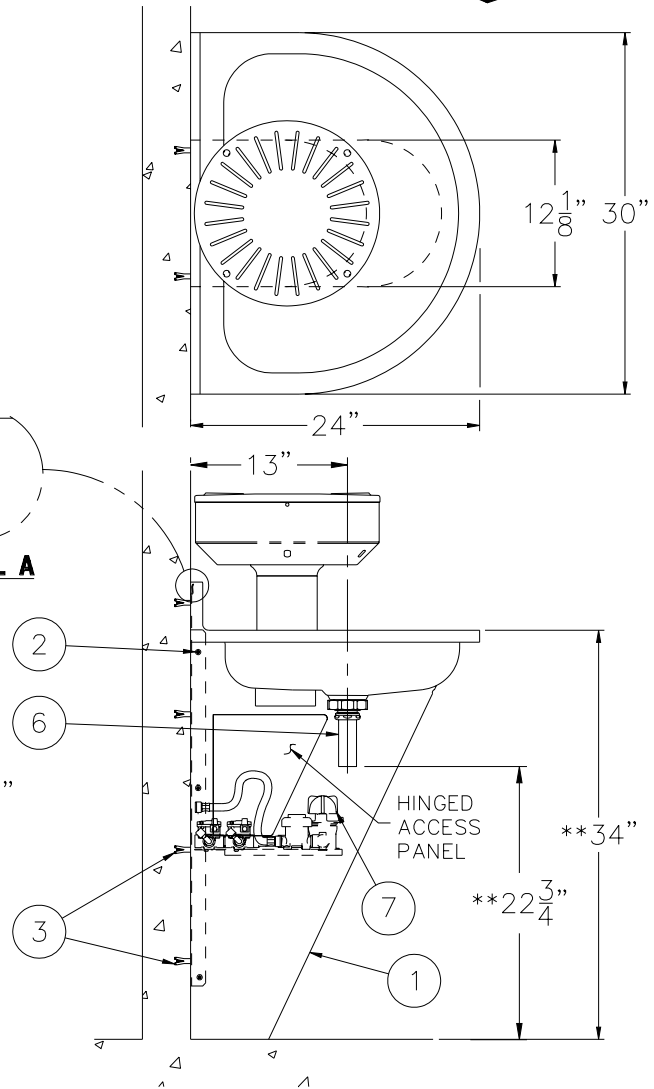
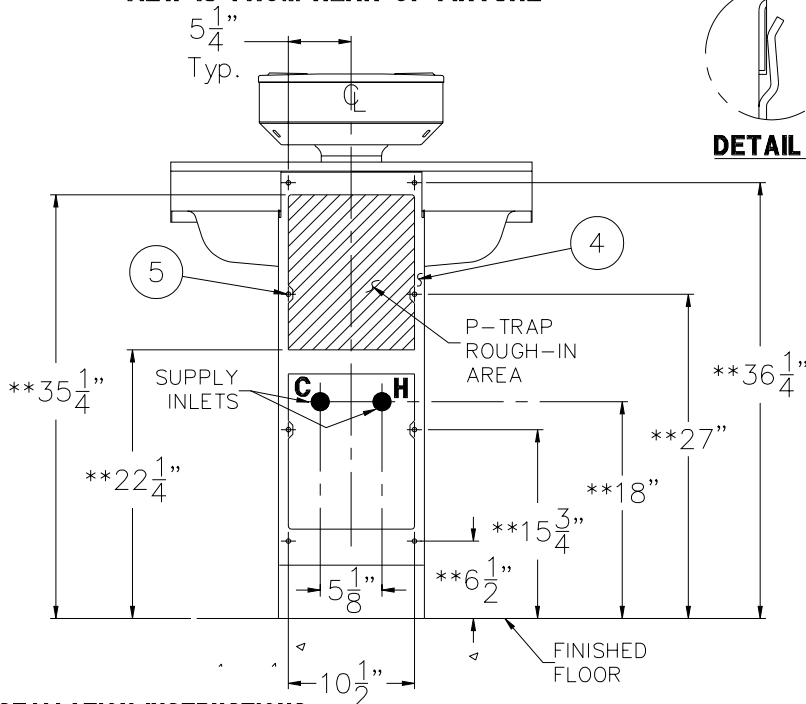
ACORN ENGINEERING COMPANY
P.O. BOX 3527 INDUSTRY, CA. 91744
(626) 336-4561 FAX (626) 961-2200

TITLE SEMI-CIRC OFF-FLOOR MULTI-LAV CAT. #3422-1-ES AND #3423-1-ES		
MANUFACTURE DATE FEBRUARY 2000 TO PRESENT	DATE ISSUED 01/09/01	DRAWING NUMBER 9912-055-001
	DATE REVISED 11/08/02	



REFERENCE DRAWINGS		
HAND BUTTON (-H)	9957-300-001	
SPRAY NOZZLES - STRAIGHT	9971-000-001	
SPRAY NOZZLES - ELBOW	9971-001-001	
METERING SERVOMOTOR (-H)	9955-000-002	
SENSOR / SOLENOID VALVE (-SO)	9955-015-002	
STANDARD MIXING VALVE	9975-034-001	
PRESSURE BALANCE MIXER (-MXP)	9975-034-001	
THERMOSTATIC BALANCE MIXER (-MXT)	9975-202-002	
CHECK STOP / STRAINER	9956-040-003	
MULTI-PURPOSE WRENCH	9951-000-001	
SOAP DISPENSERS		
POWDERED SOAP (-DP)	9965-200-001	
LIQUID / LOTION SOAP (-DV)	9965-230-002	

VIEW IS FROM REAR OF FIXTURE



INSTALLATION INSTRUCTIONS:

- A-ROUGH-IN PLUMBING AND FLUSH SUPPLY LINES.
- B-REMOVE PEDESTAL SKIRT ① BY REMOVING VANDAL RESISTANT SCREWS ②.
- C-INSTALL WALL ANCHORS BY OTHERS ③.
- D-ANCHOR METAL TEMPLATE ④ TO WALL.
- E-ATTACH FIXTURE BY HANGING OVER JOGGLE ON METAL TEMPLATE (SEE DETAIL 'A') AND INSTALLING ANCHORING THROUGH MOUNTING POINTS ⑤.
- F-MAKE WASTE CONNECTION ⑥ (1-1/2" x 4" TAILPIECE).
- G-CONNECT SUPPLIES TO 1/2" NPS VALVE INLETS.
- H-ADJUST MIXING VALVE ⑦ TO DESIRED TEMPERATURE (SINGLE-TROL AND SAFTI-TROL VALVES ONLY).
- I-SET TIMING CYCLE ON METERING VALVES. SEE DWG. 9955-000-002 FOR DETAILS AND INSTRUCTIONS.
- J-REINSTALL PEDESTAL SKIRT ①.

NOTE: FOR UNITS WITH -JH JUNIOR RIM HEIGHT, SUBTRACT DIFFERENCE FROM 34" STANDARD HEIGHT FOR ALL VERTICAL DIMENSIONS INDICATED WITH **

FOR -SO SENSOR OPERATION:

SUPPLY 120V 60HZ 3AMPS (MAX) POWER TO FACTORY INSTALLED TRANSFORMER (WITH JUNCTION BOX). LOCATE ELECTRICAL STUBOUT WITHIN SHADED ROUGH-IN AREA.

NOTE: TRANSFORMER MUST BE WIRED TO A GFI PROTECTED CIRCUIT. FIXTURE MUST BE EARTH GROUNDED PER N.E.C. (NATIONAL ELECTRICAL CODE).

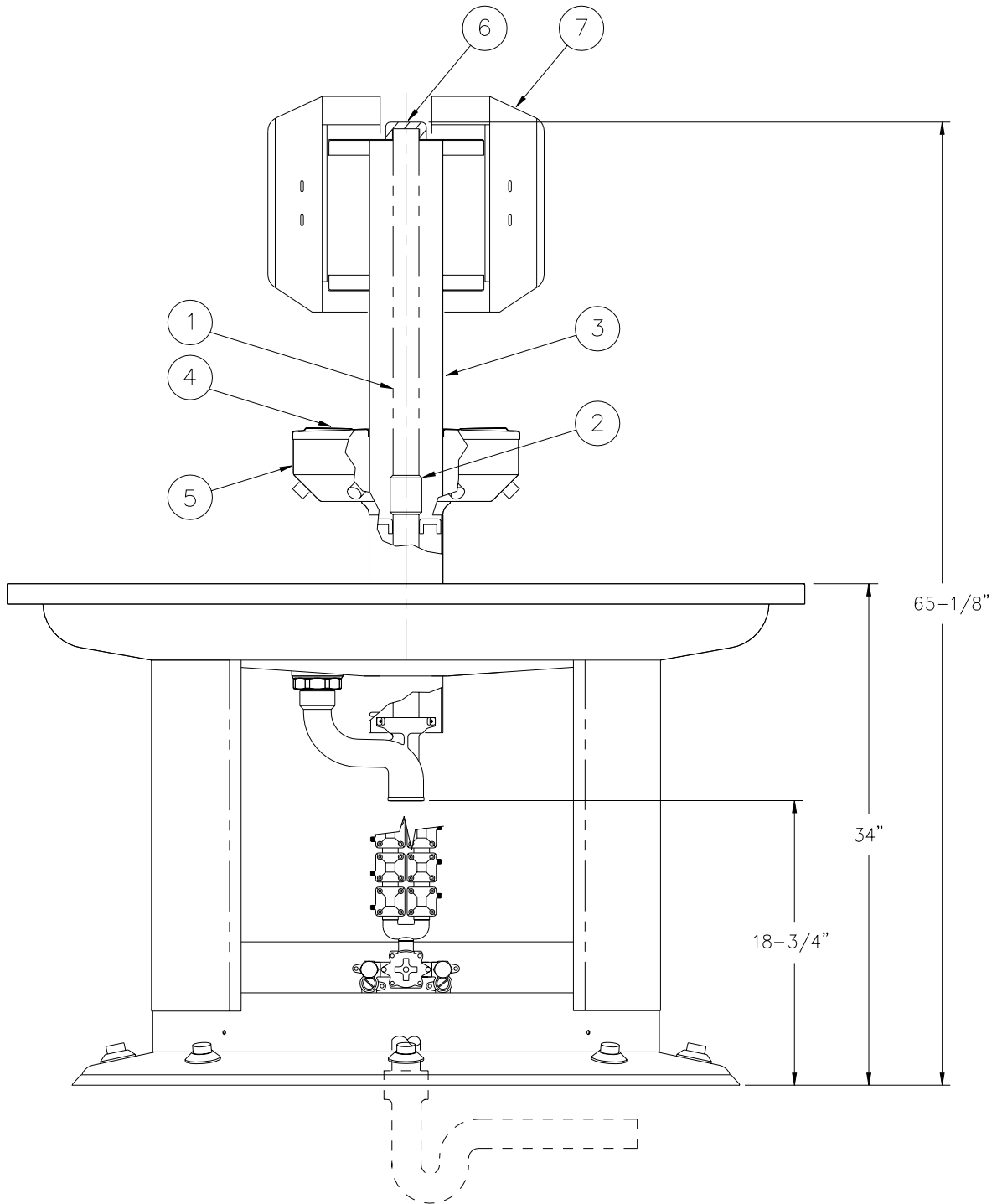
NOTE: MAXIMUM RECOMMENDED WORKING WATER PRESSURE IS 100 PSI; TEMPERATURE IS 130°F; OUTLET TEMPERATURE IS RECOMMENDED AT A MAXIMUM OF 105°F.

WARNING: PRIOR TO MAKING INSTALLATION, SUPPLY LINES MUST BE FLUSHED OF ALL FOREIGN MATERIAL SUCH AS PIPE DOPE, CHIPS, ETC. VALVE MUST BE DRAINED PRIOR TO BEING SUBJECTED TO FREEZING TEMPERATURES. MAXIMUM RECOMMENDED OUTLET WATER TEMPERATURE IS 105°F.



ACORN ENGINEERING COMPANY
P.O. BOX 3527 INDUSTRY, CA. 91744
(626) 336-4561 FAX (626) 961-2200

TITLE		
SEMI-CIRC ON-FLOOR MULTI-LAV CAT. #3422-2-ES AND #3423-2-ES		
MANUFACTURE DATE	DATE ISSUED	DRAWING NUMBER
FEBRUARY 2000	01/09/01	9912-065-001
TO PRESENT	DATE REVISED	
	02/25/02	



INSTALLATION INSTRUCTIONS

A- SCREW 21-1/2" LONG REINFORCING PIPE ① INTO COUPLING ②.

B- INSERT TOWEL DISPENSER BRACKET ASSEMBLY ③ OVER REINFORCING PIPE ①.

C- ATTACH LID ④ TO SPRAYHEAD ⑤ WITH FASTENERS PROVIDED. INSTALL PIPE CAP ⑥.

D- ATTACH TOWEL DISPENSER ⑦ (FASTENERS PROVIDED).



ACORN ENGINEERING COMPANY
 P.O. BOX 3527 INDUSTRY, CA. 91744
 (626) 336-4561 FAX (626) 961-2200

TITLE **TOWEL DISPENSER BRACKET INSTALLATION**

MANUFACTURE DATE
AUG 1985
TO PRESENT

DATE ISSUED
12-1-89
 DATE REVISED
3-1-90

DRAWING NUMBER
9912-250-001