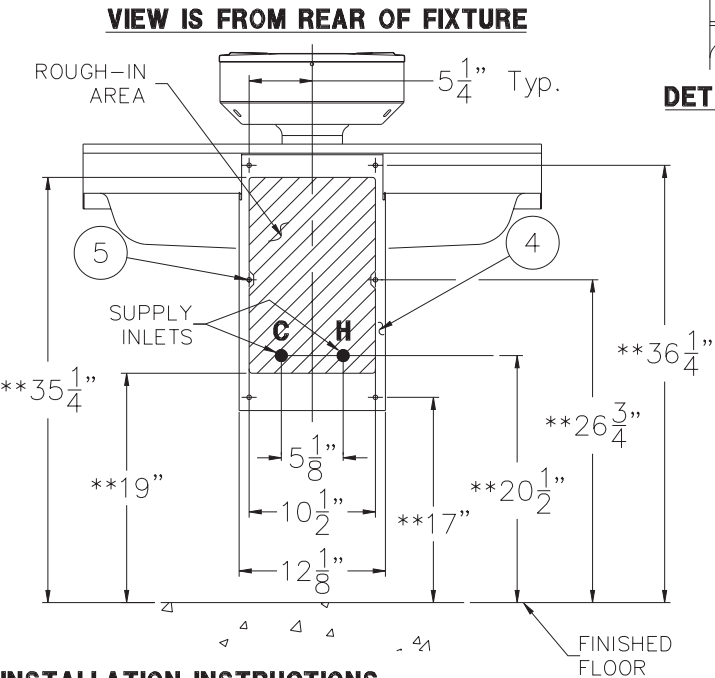


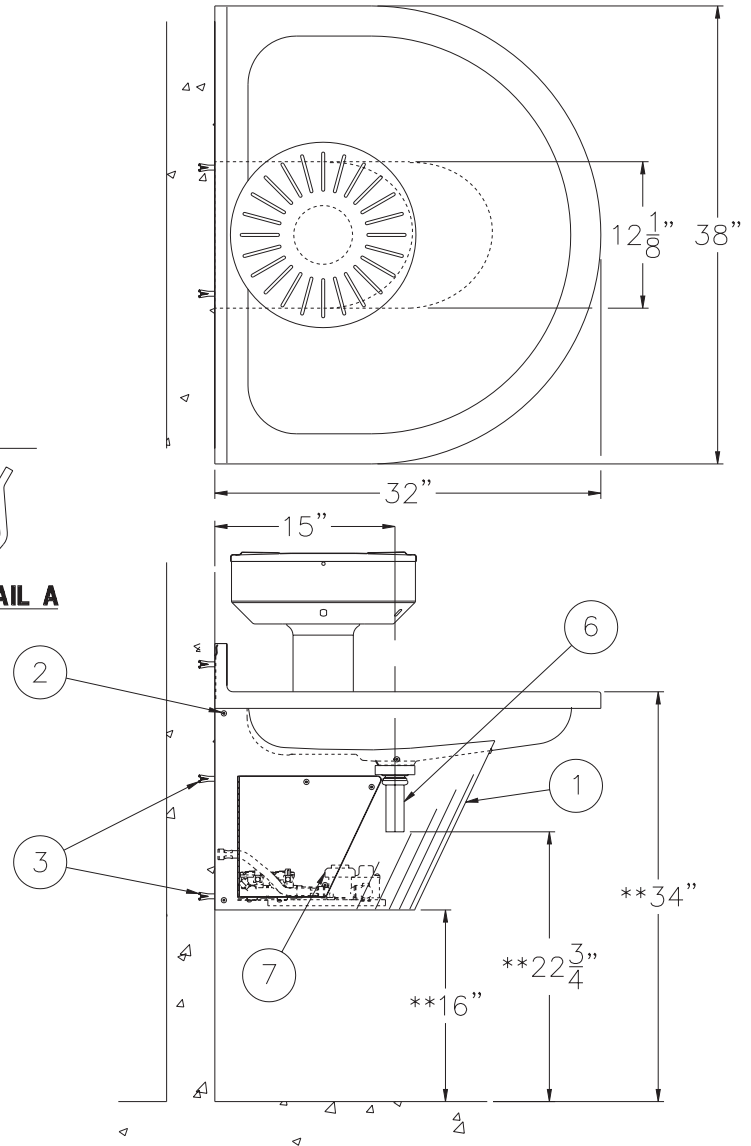


REFERENCE DRAWINGS		
HAND BUTTON	(-H)	9957-300-001
SPRAY NOZZLES - STRAIGHT		9971-000-001
SPRAY NOZZLES - ELBOW		9971-001-001
METERING SERVOMOTOR	(-H)	9955-000-002
SENSOR / SOLENOID VALVE	(-SO)	9955-015-002
STANDARD MIXING VALVE		9975-034-001
PRESSURE BALANCE MIXER	(-MXP)	9975-034-001
THERMOSTATIC BALANCE MIXER	(-MXT)	9975-202-002
CHECK STOP / STRAINER		9956-040-003
MULTI-PURPOSE WRENCH		9951-000-001
SOAP DISPENSERS		
POWDERED SOAP	(-DP)	9965-200-001
LIQUID / LOTION SOAP	(-DV)	9965-230-002

NOTE: REFER TO A.D.A. ACCESSIBILITY GUIDELINES FOR COMPLETE INSTALLATION REQUIREMENTS.



DETAIL A



INSTALLATION INSTRUCTIONS:

- A-ROUGH-IN PLUMBING AND FLUSH SUPPLY LINES.
- B-REMOVE PEDESTAL SKIRT ① BY REMOVING VANDAL RESISTANT SCREWS ②.
- C-INSTALL WALL ANCHORS BY OTHERS ③.
- D-ANCHOR METAL TEMPLATE ④ TO WALL.
- E-ATTACH FIXTURE BY HANGING OVER JOGGLE ON METAL TEMPLATE (SEE DETAIL 'A') AND INSTALLING ANCHORING THROUGH MOUNTING POINTS ⑤.
- F-MAKE WASTE CONNECTION ⑥ (1-1/2" x 4" TAILPIECE).
- G-CONNECT SUPPLIES TO 1/2" NPS VALVE INLETS.
- H-ADJUST MIXING VALVE ⑦ TO DESIRED TEMPERATURE (SINGLE-TROL AND SAFTI-TROL VALVES ONLY).
- I-SET TIMING CYCLE ON METERING VALVES. SEE DWG. 9955-000-002 FOR DETAILS AND INSTRUCTIONS.
- J-REINSTALL PEDESTAL SKIRT ①.

NOTE: FOR UNITS WITH -JH JUNIOR RIM HEIGHT, SUBTRACT DIFFERENCE FROM ALL VERTICAL DIMENSIONS INDICATED WITH **.

FOR -SO SENSOR OPERATION:

SUPPLY 120V 60HZ 3AMPS (MAX) POWER TO FACTORY INSTALLED TRANSFORMER (WITH JUNCTION BOX). LOCATE ELECTRICAL STUBOUT WITHIN SHADED ROUGH-IN AREA.

NOTE:

TRANSFORMER MUST BE WIRED TO A GFI PROTECTED CIRCUIT. FIXTURE MUST BE EARTH GROUND PER N.E.C. (NATIONAL ELECTRICAL CODE).

NOTE:

MAXIMUM RECOMMENDED WORKING WATER PRESSURE IS 100 PSI; TEMPERATURE IS 130°F; OUTLET TEMPERATURE IS RECOMMENDED AT A MAXIMUM OF 105°F.

WARNING:

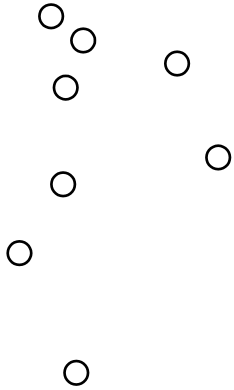
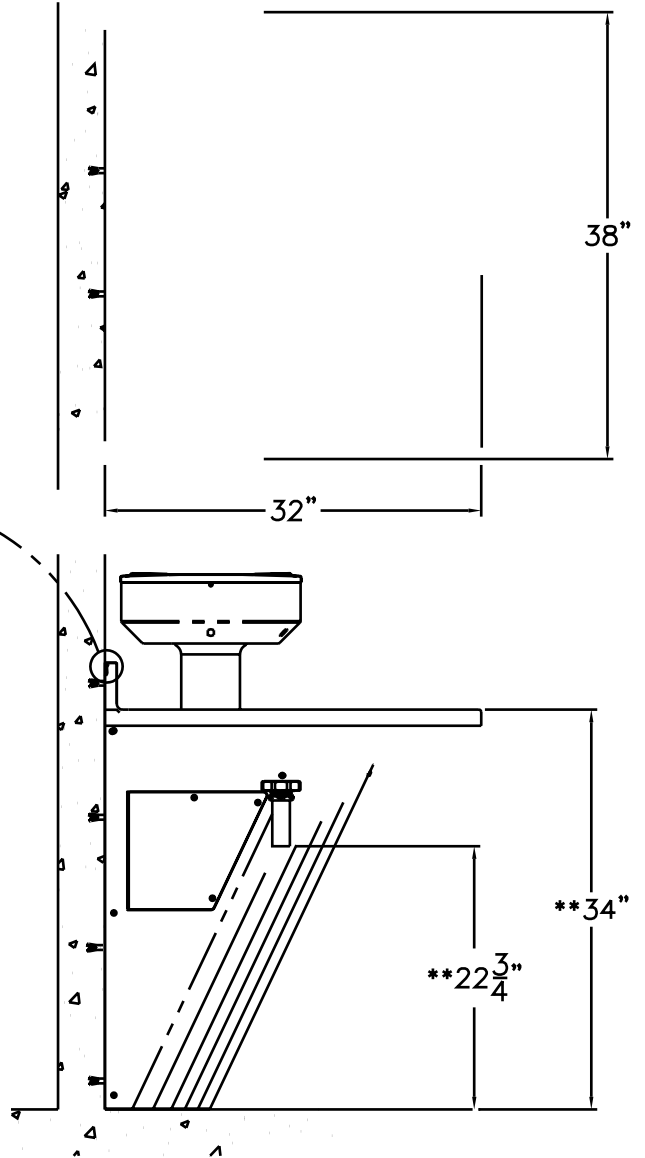
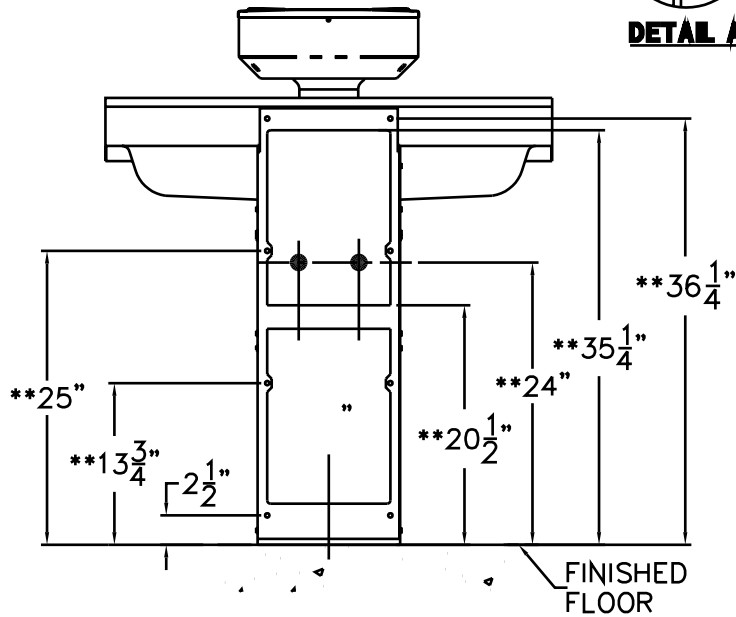
PRIOR TO MAKING INSTALLATION, SUPPLY LINES MUST BE FLUSHED OF ALL FOREIGN MATERIAL SUCH AS PIPE DOPE, CHIPS, ETC. VALVE MUST BE DRAINED PRIOR TO BEING SUBJECTED TO FREEZING TEMPERATURES. MAXIMUM RECOMMENDED OUTLET WATER TEMPERATURE IS 105°F.



TITLE SEMI-CIRC OFF-FLOOR MULTI-LAV CAT. #3423-1-ES-ADA AND #3424-1-ES-ADA	
MANUFACTURE DATE FEBRUARY 2000 TO PRESENT	DATE ISSUED 01/09/01 DATE REVISED 11/08/02
DRAWING NUMBER 9912-057-001	



VIEW IS FROM REAR OF FIXTURE



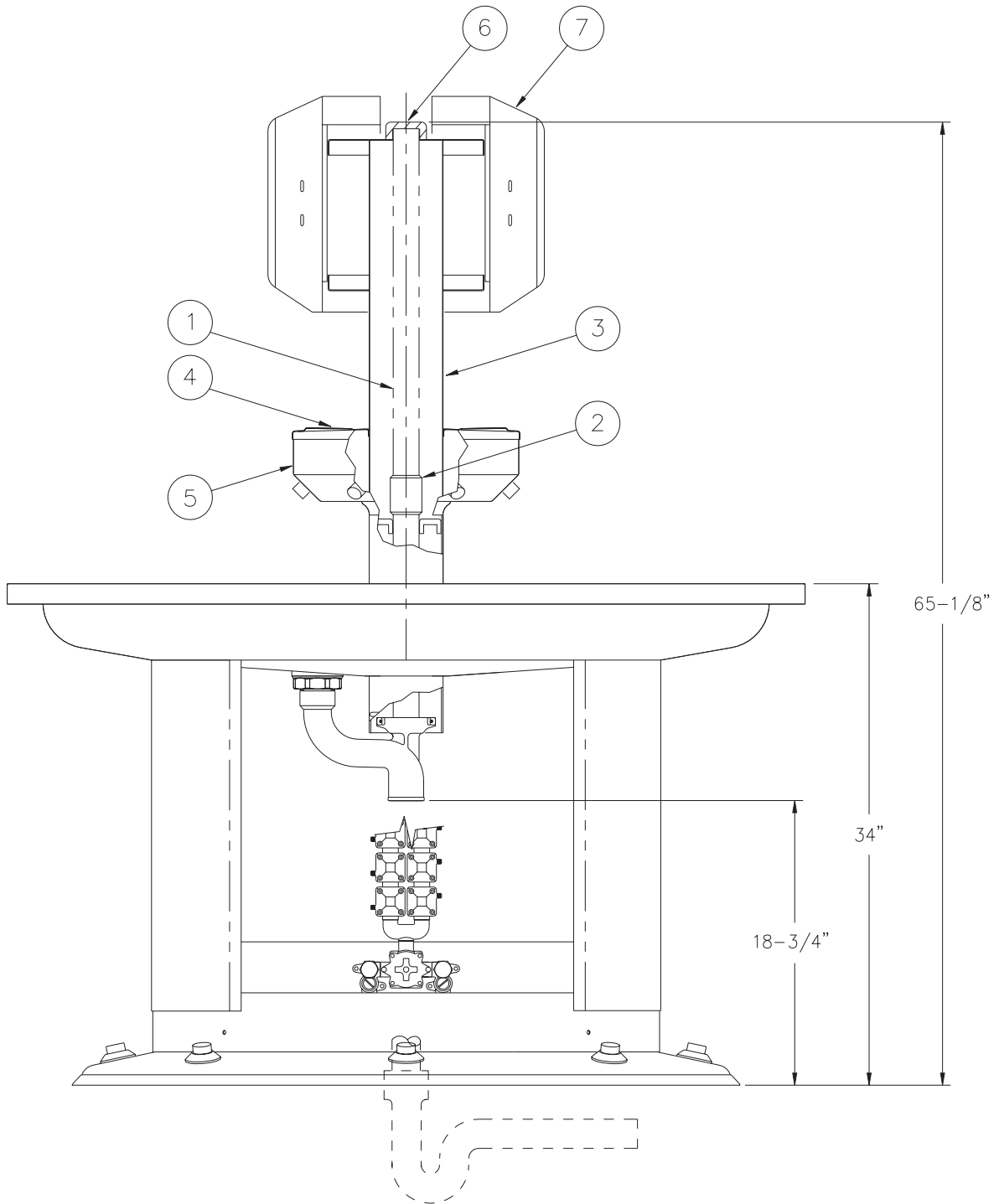
ACORN ENGINEERING COMPANY
 P.O. BOX 3527 INDUSTRY, CA. 91744
 (626) 336-4561 FAX (626) 961-2200

TITLE **SEMI-CIR ON-FLOOR WASHFOUNTAIN, CAT. #3422-2-ES-ADA & #3424-2-ES-ADA**

MANUFACTURE DATE
FEBRUARY 2000
TO PRESENT

DATE ISSUED
01/09/01
 DATE REVISED
04/10/07

DRAWING NUMBER
9912-067-001



INSTALLATION INSTRUCTIONS

A- SCREW 21-1/2" LONG REINFORCING PIPE (1) INTO COUPLING (2).

B- INSERT TOWEL DISPENSER BRACKET ASSEMBLY (3) OVER REINFORCING PIPE (1).

C- ATTACH LID (4) TO SPRAYHEAD (5) WITH FASTENERS PROVIDED. INSTALL PIPE CAP (6).

D- ATTACH TOWEL DISPENSER (7) (FASTENERS PROVIDED).



ACORN ENGINEERING COMPANY
 P.O. BOX 3527 INDUSTRY, CA. 91744
 (626) 336-4561 FAX (626) 961-2200

TITLE **TOWEL DISPENSER BRACKET INSTALLATION**

MANUFACTURE DATE

AUG 1985
TO PRESENT

DATE ISSUED

12-1-89

DATE REVISED

3-1-90

DRAWING NUMBER

9912-250-001