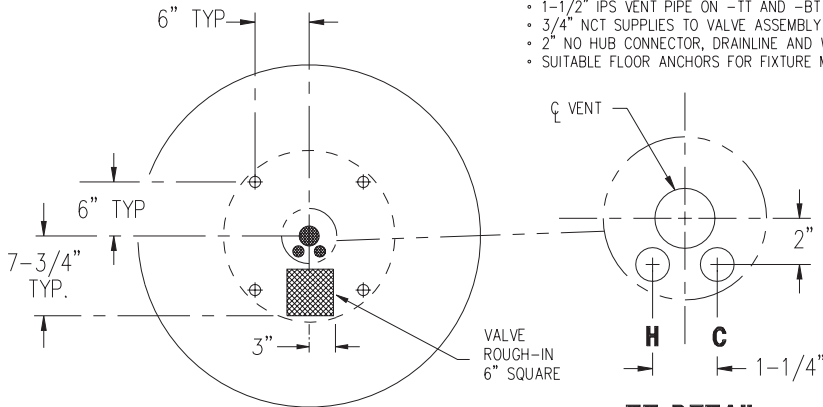


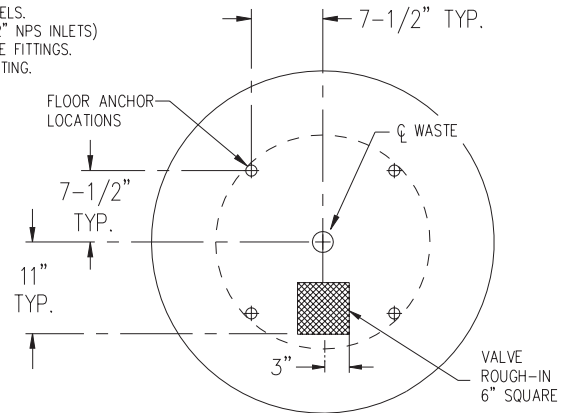


PRODUCT ROUGH-IN AND INSTALLATION REQUIRES THE FOLLOWING MATERIALS, NOT SUPPLIED BY ACORN ENGINEERING COMPANY.

- 1-1/2" IPS VENT PIPE ON -TT AND -BT MODELS.
- 3/4" NCT SUPPLIES TO VALVE ASSEMBLY (1/2" NPS INLETS)
- 2" NO HUB CONNECTOR, DRAINLINE AND WASTE FITTINGS.
- SUITABLE FLOOR ANCHORS FOR FIXTURE MOUNTING.

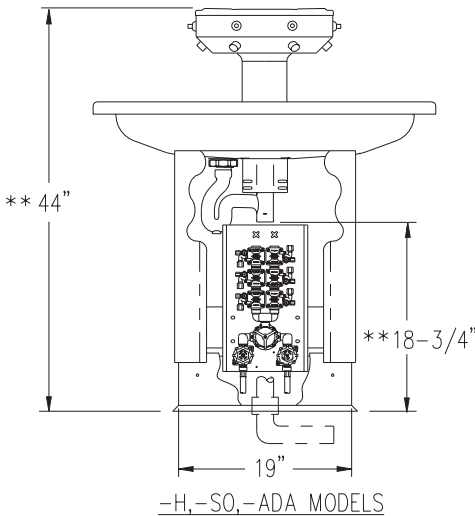


ROUGH-IN FOR HAND OP(-H)
SHOWN WITH TOP SUPPLY AND VENT THRU FIXTURE(-TT)



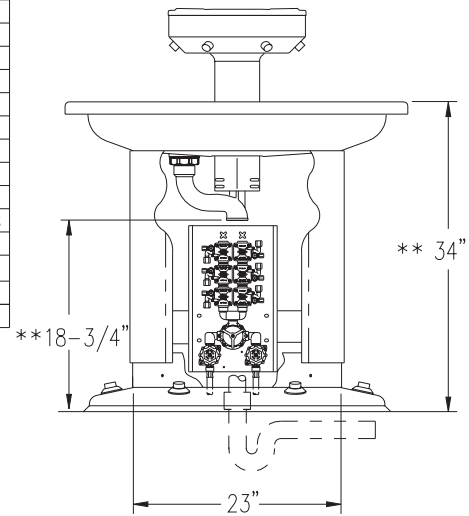
ROUGH-IN FOR FOOT OP(-F) AND LARGE PEDESTAL(-LP)
SHOWN WITH BOTTOM SUPPLY AND VENT OFF DRAIN(-BO)

-TT DETAIL



-H, -SO, -ADA MODELS

REFERENCE DRAWINGS		
HAND BUTTON (-H)		9957-300-001
FOOT BUTTON (-F)		9957-200-001
SPRAY NOZZLES		9971-001-001
METERING SERVOMOTOR (-H)		9955-000-002
NON-METERING SERVOMOTOR (-F)		9955-001-002
SENSOR / SOLENOID VALVE (-SO)		9955-015-002
STANDARD MIXING VALVE		9975-034-001
PRESSURE BALANCE MIXER (-MXP)		9975-034-001
THERMOSTATIC BALANCE MIXER (-MXT)		9975-202-002
CHECK STOP / STRAINER		9956-040-003
MULTI-PURPOSE WRENCH		9951-000-001
SOAP DISPENSERS		
POWDERED SOAP (-DP)		9965-200-001
LIQUID / LOTION SOAP (-DV)		9965-230-002



NOTE: REFER TO A.D.A. ACCESSIBILITY GUIDELINES FOR COMPLETE INSTALLATION REQUIREMENTS.

INSTALLATION INSTRUCTIONS:

- A- ROUGH-IN PLUMBING AND FLUSH SUPPLY LINES.
- B- REMOVE PEDESTAL SKIRT QUARTER PANEL.
- C- MAKE WASTE (2" NO HUB) AND VENT (1-1/2" IPS) CONNECTIONS.
- D- INSTALL FLOOR ANCHORS AND ATTACH FIXTURE TO THE FLOOR.
- E- CONNECT SUPPLIES TO VALVE INLETS USING 15-3/4" LONG FLEX HOSES SUPPLIED WITH 1/2" NPS ENDS.
- F- ADJUST MIXING VALVE TO DESIRED TEMPERATURE (SINGLE-TROL AND SAFTI-TROL VALVES ONLY)
- G- SET TIMING CYCLE ON METERING VALVES, SEE DWG. 9955-000-002 FOR DETAILS AND INSTRUCTIONS.

NOTE: FOR UNITS WITH -JH JUNIOR RIM HEIGHT, SUBTRACT DIFFERENCE FROM ALL VERTICAL DIMENSIONS INDICATED WITH **.

FOR -SO SENSOR OPERATION: SUPPLY 120V 60HZ 3 AMPS (MAX) POWER TO FACTORY INSTALLED TRANSFORMER (WITH JUNCTION BOX). LOCATE ELECTRICAL STUBOUT WITHIN PEDESTAL ROUGH-IN AREA.

NOTE: SUFFIX OPTION -DBS (DEEP BOWL STYLE) DIMENSIONS DIFFER FROM STANDARD. CONTACT FACTORY FOR ROUGH-INS.

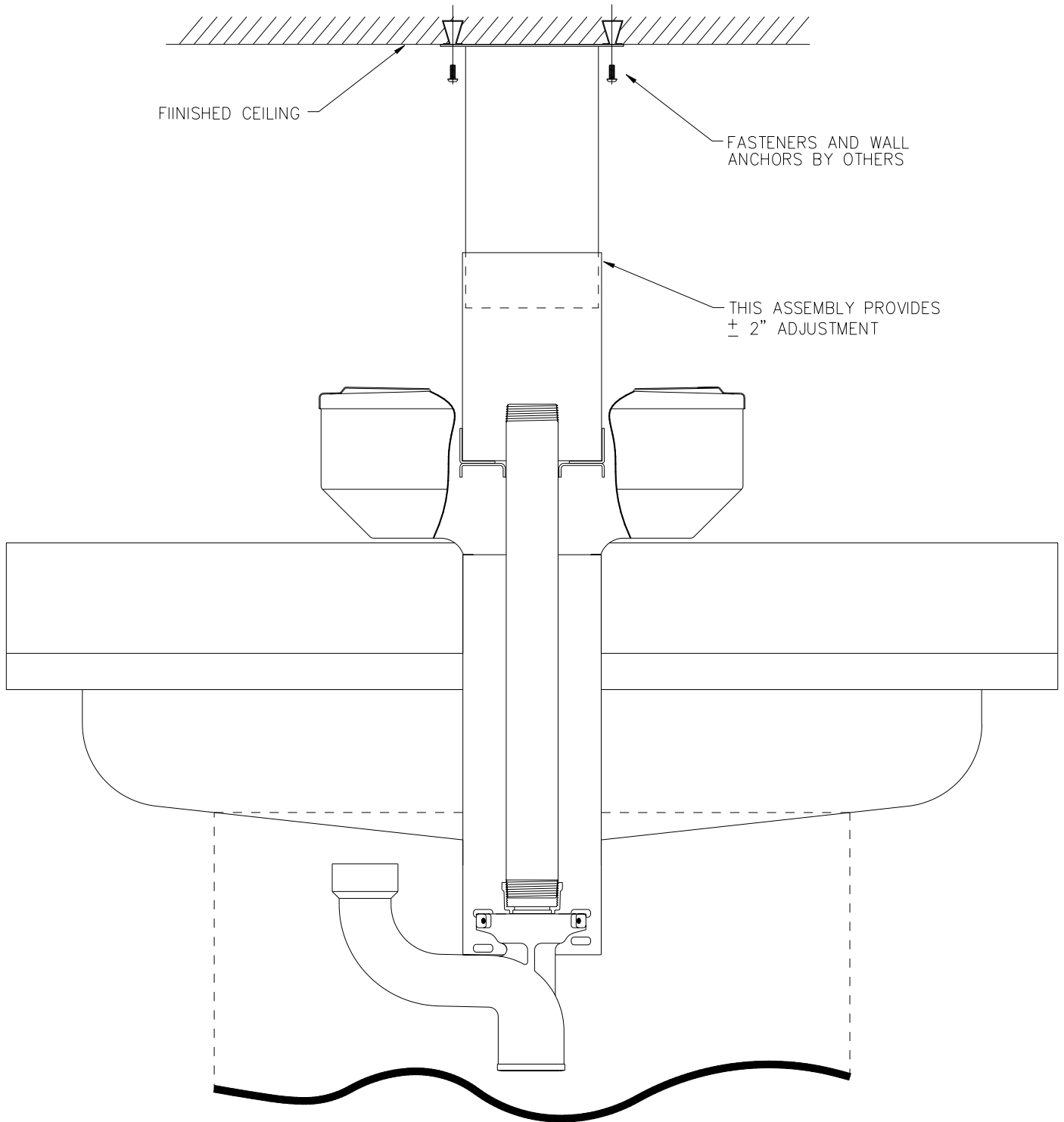
NOTE: TRANSFORMER MUST BE WIRED TO A GFI PROTECTED CIRCUIT. FIXTURE MUST BE EARTH GROUNDED PER N.E.C. (NATIONAL ELECTRICAL CODE)

NOTE: MAXIMUM RECOMMENDED WORKING WATER PRESSURE IS 100 PSI; TEMPERATURE IS 130°F; OUTLET TEMPERATURE IS RECOMMENDED AT A MAXIMUM OF 105°F.

WARNING: PRIOR TO MAKING INSTALLATION, SUPPLY LINES MUST BE FLUSHED OF ALL FOREIGN MATERIAL SUCH AS PIPE DOPE, CHIPS, ETC. VALVE MUST BE DRAINED PRIOR TO BEING SUBJECTED TO FREEZING TEMPERATURES. MAXIMUM RECOMMENDED OUTLET WATER TEMPERATURE IS 105°F.



TITLE 6/8-ADA PERSON WASHFOUNTAIN - CAT# 3506, 3506-ADA & 3508-ADA		
MANUFACTURE DATE 10/15/99	DATE ISSUED 10/21/01	DRAWING NUMBER 9912-215-003
TO PRESENT	DATE REVISED 06/20/02	



FIINISHED CEILING

FASTENERS AND WALL ANCHORS BY OTHERS

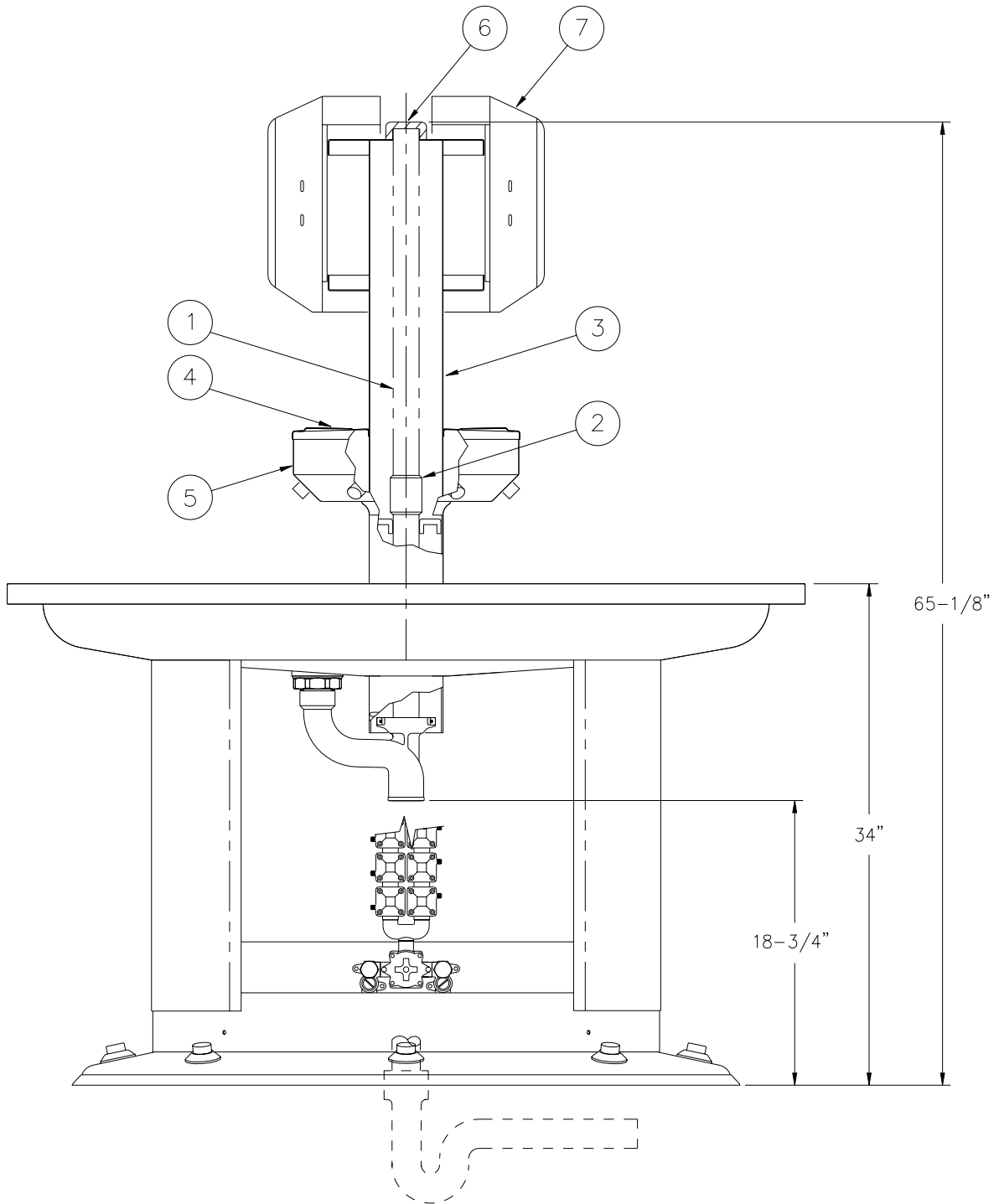
THIS ASSEMBLY PROVIDES ± 2" ADJUSTMENT

NOTE: ON (-BT) AND (-TT) MODELS, ADDITIONAL VENT PIPING IS BY OTHERS. FOR TOP SUPPLY INLET DIMENSIONS, SEE APPROPRIATE MODEL INSTALLATION.



ACORN ENGINEERING COMPANY
P.O. BOX 3527 INDUSTRY, CA. 91744
(626) 336-4561 FAX (626) 961-2200

TITLE SUPPLY & VENT COVER SUFFIX OPTION (-SC)		
MANUFACTURE DATE DEC.1986	DATE ISSUED 3-1-94	DRAWING NUMBER 9912-251-001
TO PRESENT	DATE REVISED	



INSTALLATION INSTRUCTIONS

A- SCREW 21-1/2" LONG REINFORCING PIPE (1) INTO COUPLING (2).

B- INSERT TOWEL DISPENSER BRACKET ASSEMBLY (3) OVER REINFORCING PIPE (1).

C- ATTACH LID (4) TO SPRAYHEAD (5) WITH FASTENERS PROVIDED. INSTALL PIPE CAP (6).

D- ATTACH TOWEL DISPENSER (7) (FASTENERS PROVIDED).



ACORN ENGINEERING COMPANY
 P.O. BOX 3527 INDUSTRY, CA. 91744
 (626) 336-4561 FAX (626) 961-2200

TITLE **TOWEL DISPENSER BRACKET INSTALLATION**

MANUFACTURE DATE
AUG 1985
TO PRESENT

DATE ISSUED
12-1-89
 DATE REVISED
3-1-90

DRAWING NUMBER
9912-250-001