

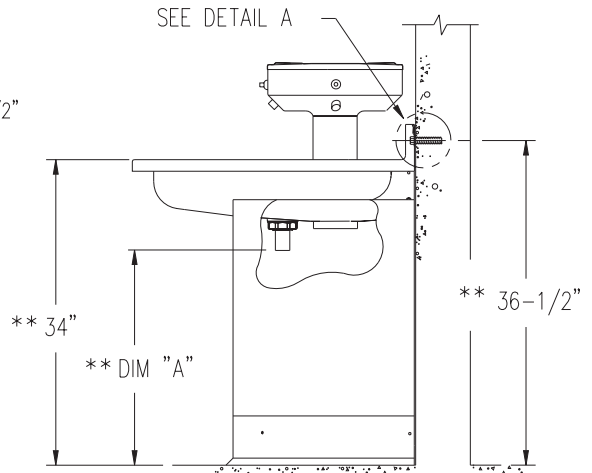
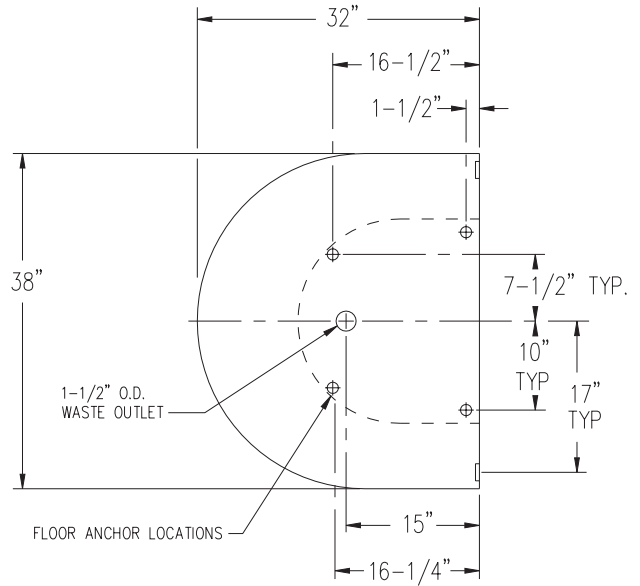
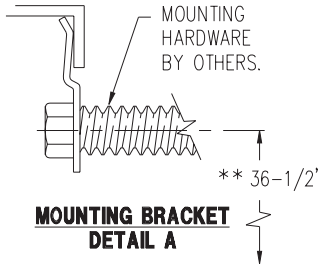
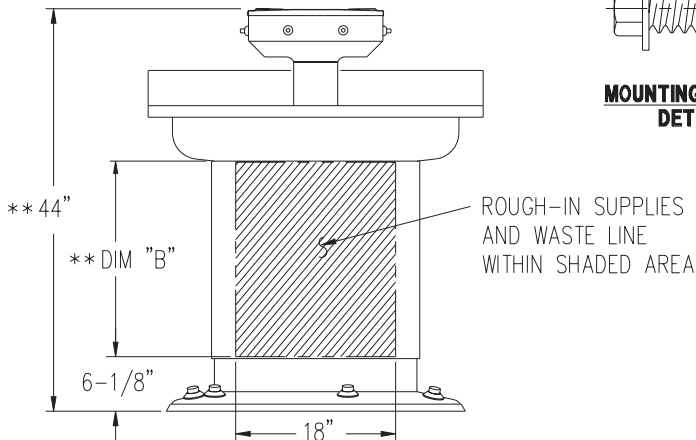


REFERENCE DRAWINGS		
HAND BUTTON (-H)		9957-300-001
FOOT BUTTON (-F)		9957-200-001
SPRAY NOZZLES - STRAIGHT		9971-000-001
SPRAY NOZZLES - ELBOW		9971-001-001
METERING SERVOMOTOR (-H)		9955-000-002
NON-METERING SERVOMOTOR (-F)		9955-001-002
SENSOR / SOLENOID VALVE (-SO)		9955-015-002
STANDARD MIXING VALVE		9975-034-001
PRESSURE BALANCE MIXER (-MXP)		9975-034-001
THERMOSTATIC BALANCE MIXER (-MXT)		9975-202-002
CHECK STOP / STRAINER		9956-040-003
MULTI-PURPOSE WRENCH		9951-000-001
SOAP DISPENSERS		
POWDERED SOAP (-DP)		9965-200-001
LIQUID / LOTION SOAP (-DV)		9965-230-002
PUMP LIQUID SOAP (-PDM)		9965-250-001

PRODUCT ROUGH-IN AND INSTALLATION REQUIRES THE FOLLOWING MATERIALS, NOT SUPPLIED BY ACORN ENGINEERING COMPANY.

- 3/4" NCT SUPPLIES TO VALVE ASSEMBLY (1/2" NPS INLETS)
- 1-1/2" P-TRAP, DRAINLINE AND WASTE FITTINGS
- SUITABLE FLOOR AND WALL ANCHORS FOR FIXTURE MOUNTING

BOWL STYLE	DIM "A"	DIM "B"
STANDARD	22-1/2"	21-7/8"
-DBS OPTION	19-1/4"	18-5/8"



INSTALLATION INSTRUCTIONS:

- A- ROUGH-IN PLUMBING AND FLUSH SUPPLY LINES.
- B- REMOVE PEDESTAL SKIRT.
- C- INSTALL WALL BRACKETS (SEE DETAIL A).
- D- INSTALL FLOOR ANCHORS AND ATTACH FIXTURE TO THE FLOOR.
- E- MAKE WASTE CONNECTION (1-1/2" x 4" LG TAILPIECE).
- F- CONNECT SUPPLIES TO VALVE INLETS USING 15-3/4" LONG FLEX HOSES SUPPLIED WITH 1/2" NPS ENDS.
- G- ADJUST MIXING VALVE TO DESIRED TEMPERATURE (SINGLE-TROL AND SAFTI-TROL VALVES ONLY).
- H- SET TIMING CYCLE ON METERING VALVES, SEE DWG. 9955-000-002 FOR DETAILS AND INSTRUCTIONS.

NOTE: FOR UNITS WITH -JH JUNIOR RIM HEIGHT, SUBTRACT DIFFERENCE FROM 34" STANDARD HEIGHT FOR ALL VERTICAL DIMENSIONS INDICATED WITH **.

FOR -SO SENSOR OPERATION: SUPPLY 120V 60HZ 3 AMPS (MAX) POWER TO FACTORY INSTALLED TRANSFORMER (WITH JUNCTION BOX). LOCATE ELECTRICAL STUBOUT WITHIN SHADED ROUGH-IN AREA.

NOTE: TRANSFORMER MUST BE WIRED TO A GFI PROTECTED CIRCUIT. FIXTURE MUST BE EARTH GROUNDED PER N.E.C. (NATIONAL ELECTRICAL CODE)

NOTE: MAXIMUM RECOMMENDED WORKING WATER PRESSURE IS 100 PSI; TEMPERATURE IS 130F; OUTLET TEMPERATURE IS RECOMMENDED AT A MAXIMUM OF 105F.

WARNING: PRIOR TO MAKING INSTALLATION, SUPPLY LINES MUST BE FLUSHED OF ALL FOREIGN MATERIAL SUCH AS PIPE DOPE, CHIPS, ETC. VALVE MUST BE DRAINED PRIOR TO BEING SUBJECTED TO FREEZING TEMPERATURES. MAXIMUM RECOMMENDED OUTLET WATER TEMPERATURE IS 105F.

ACORN ENGINEERING COMPANY P.O. BOX 3527 INDUSTRY, CA. 91744 (626) 336-4561 FAX (626) 961-2200	TITLE SEMI-CIRC MULTI-LAV CAT# 3543-2-ES & 3544-2-ES (OLD CAT# 3463 & 3464)	
	MANUFACTURE DATE 10/15/99 TO PRESENT	DATE ISSUED 10/21/99 DATE REVISED 11/11/02

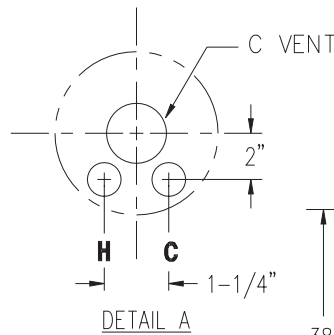


REFERENCE DRAWINGS		
HAND BUTTON (-H)		9957-300-001
FOOT BUTTON (-F)		9957-200-001
SPRAY NOZZLES - STRAIGHT		9971-000-001
SPRAY NOZZLES - ELBOW		9971-001-001
METERING SERVOMOTOR (-H)		9955-000-002
NON-METERING SERVOMOTOR (-F)		9955-001-002
SENSOR / SOLENOID VALVE (-SO)		9955-015-002
STANDARD MIXING VALVE		9975-034-001
PRESSURE BALANCE MIXER (-MXP)		9975-034-001
THERMOSTATIC BALANCE MIXER (-MXT)		9975-202-002
CHECK STOP / STRAINER		9956-040-003
MULTI-PURPOSE WRENCH		9951-000-001
SOAP DISPENSERS		
POWDERED SOAP (-DP)		9965-200-001
LIQUID / LOTION SOAP (-DV)		9965-230-002

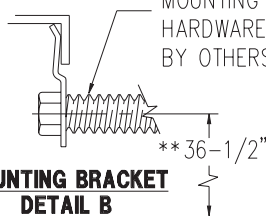
PRODUCT ROUGH-IN AND INSTALLATION REQUIRES THE FOLLOWING MATERIALS, NOT SUPPLIED BY ACORN ENGINEERING COMPANY.

- 1-1/2" IPS VENT PIPE ON -TT AND -BT MODELS.
- 3/4" NCT SUPPLIES TO VALVE ASSEMBLY (1/2" NPS INLETS)
- 2" NO HUB CONNECTOR, DRAINLINE AND WASTE FITTINGS.
- SUITABLE FLOOR ANCHORS FOR FIXTURE MOUNTING.

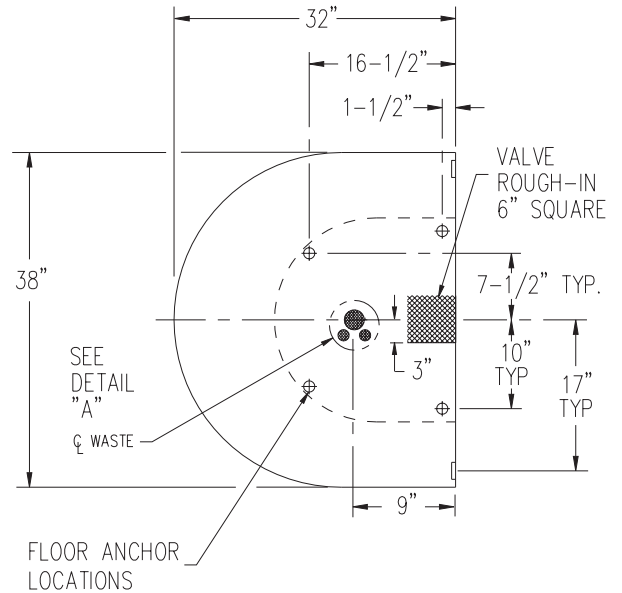
BOWL STYLE	DIM "A"	DIM "B"
STANDARD	19-3/4"	21-7/8"
-DBS OPTION	16-1/2"	18-5/8"



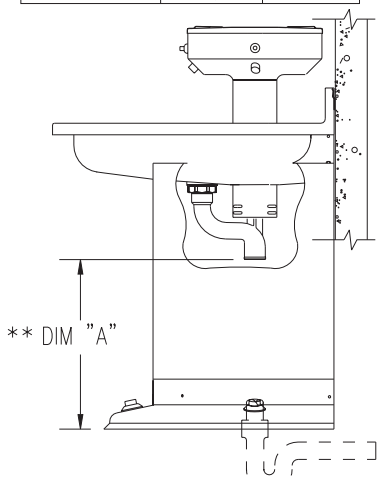
DETAIL A
ROUGH-IN FOR TOP SUPPLY & VENT THRU FIXTURE (-TT)



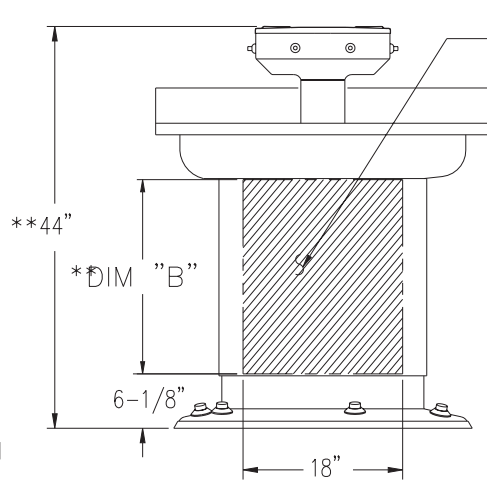
MOUNTING BRACKET
DETAIL B



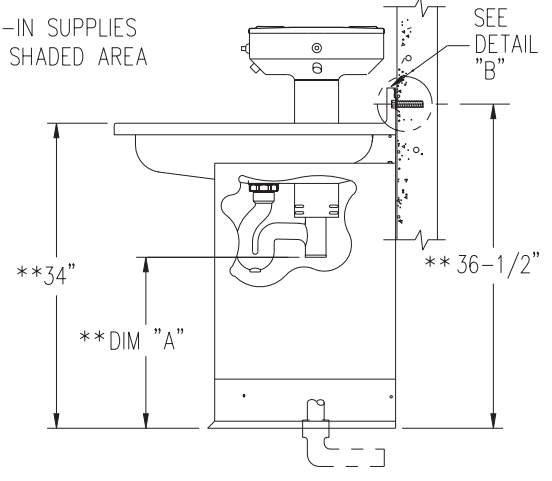
FLOOR ANCHOR LOCATIONS



-BO/-TO MODELS



ROUGH-IN SUPPLIES WITHIN SHADED AREA



-BT/-TT MODELS

INSTALLATION INSTRUCTIONS:

- A- ROUGH-IN PLUMBING AND FLUSH SUPPLY LINES.
- B- REMOVE PEDESTAL SKIRT.
- C- MAKE WASTE (2" NO HUB) AND VENT (1-1/2" IPS) CONNECTIONS.
- D- INSTALL FLOOR ANCHORS AND ATTACH FIXTURE TO THE FLOOR.
- E- CONNECT SUPPLIES TO VALVE INLETS USING 15-3/4" LONG FLEX HOSES SUPPLIED WITH 1/2" NPS ENDS.
- F- ADJUST MIXING VALVE TO DESIRED TEMPERATURE (SINGLE-TROL AND SAFTI-TROL VALVES ONLY)
- G- SET TIMING CYCLE ON METERING VALVES, SEE DWG. 9955-000-002 FOR DETAILS AND INSTRUCTIONS.

NOTE: FOR UNITS WITH -JH JUNIOR RIM HEIGHT, SUBTRACT DIFFERENCE FROM 34" STANDARD HEIGHT FOR ALL VERTICAL DIMENSIONS INDICATED WITH **.

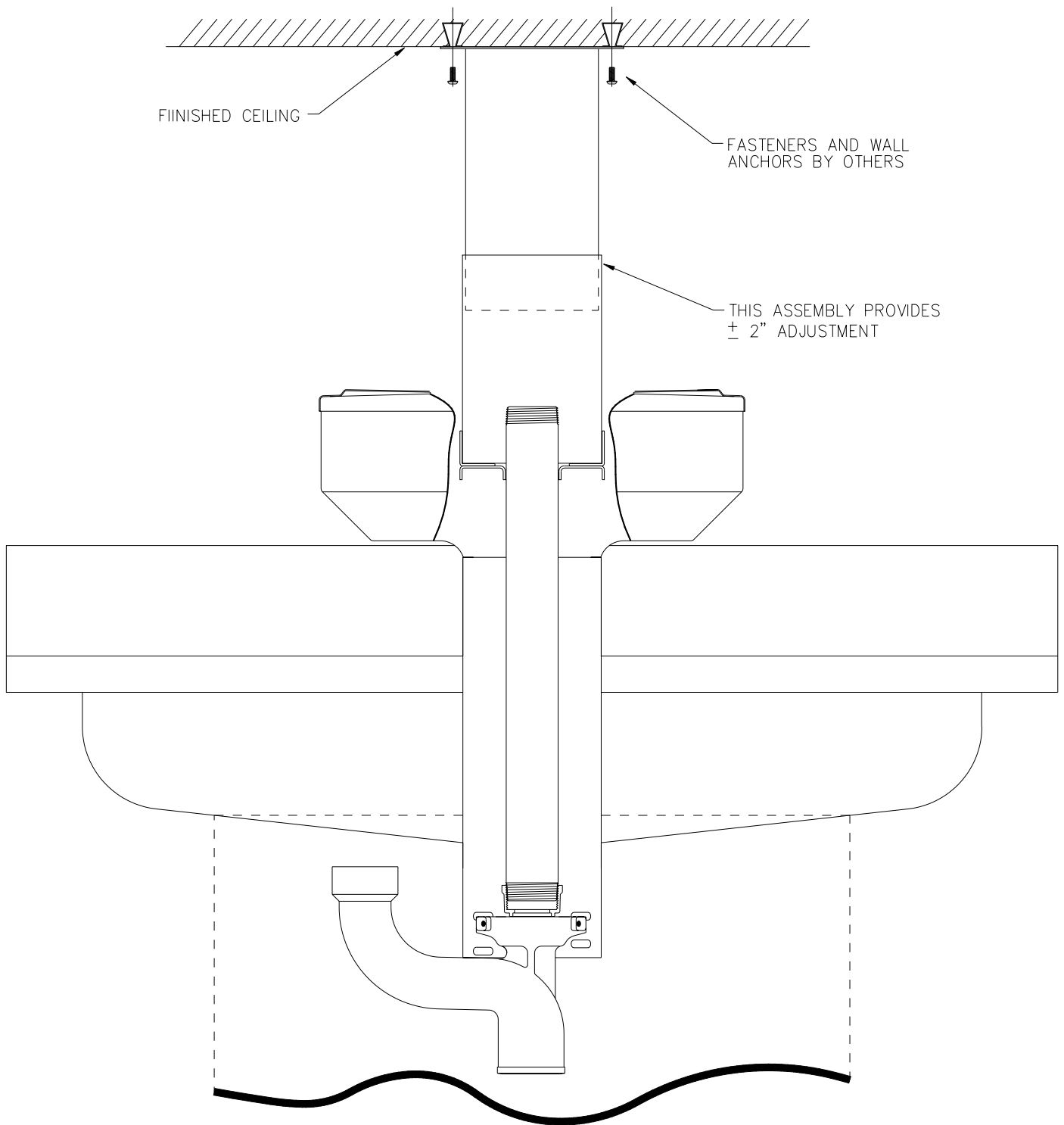
FOR -SO SENSOR OPERATION: SUPPLY 120V 60HZ 3 AMPS (MAX) POWER TO FACTORY INSTALLED TRANSFORMER (WITH JUNCTION BOX). LOCATE ELECTRICAL STUBOUT WITHIN PEDESTAL ROUGH-IN AREA.

NOTE: TRANSFORMER MUST BE WIRED TO A GFI PROTECTED CIRCUIT. FIXTURE MUST BE EARTH GROUNDED PER N.E.C. (NATIONAL ELECTRICAL CODE)

NOTE: MAXIMUM RECOMMENDED WORKING WATER PRESSURE IS 100 PSI; TEMPERATURE IS 130°F; OUTLET TEMPERATURE IS RECOMMENDED AT A MAXIMUM OF 105°F.

WARNING: PRIOR TO MAKING INSTALLATION, SUPPLY LINES MUST BE FLUSHED OF ALL FOREIGN MATERIAL SUCH AS PIPE DOPE, CHIPS, ETC. VALVE MUST BE DRAINED PRIOR TO BEING SUBJECTED TO FREEZING TEMPERATURES. MAXIMUM RECOMMENDED OUTLET WATER TEMPERATURE IS 105°F.

ACORN ENGINEERING COMPANY P.O. BOX 3527 INDUSTRY, CA. 91744 (626) 336-4561 FAX (626) 961-2200	TITLE SEMI-CIRCULAR FLOOR/CEILING ROUGH-IN CAT# 3543-3-ES & 3544-3-ES		
	MANUFACTURE DATE 10/15/99 TO PRESENT	DATE ISSUED 10/21/99	DRAWING NUMBER 9912-220-003
	DATE REVISED 11/11/02		



FIINISHED CEILING

FASTENERS AND WALL ANCHORS BY OTHERS

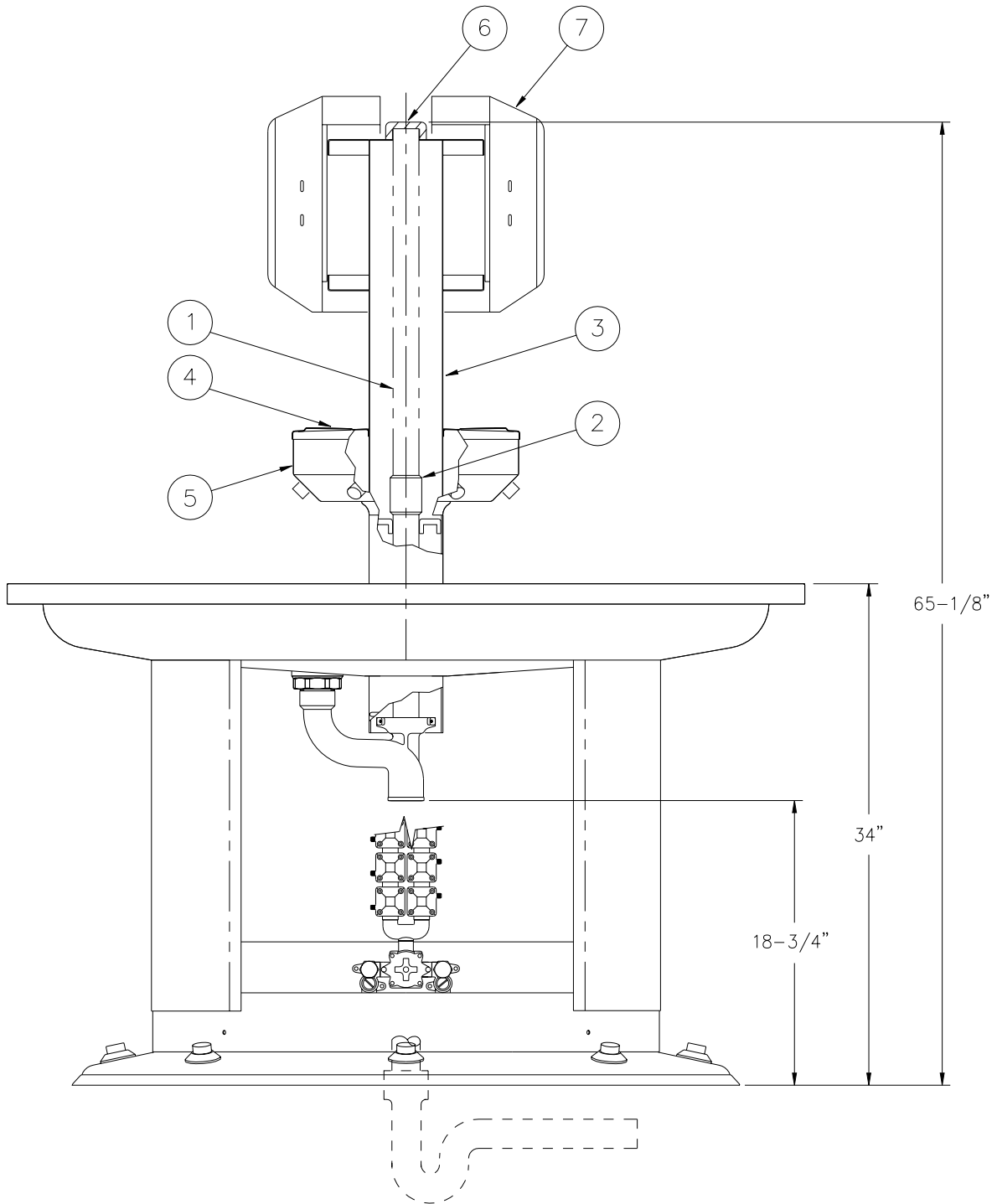
THIS ASSEMBLY PROVIDES ± 2" ADJUSTMENT

NOTE: ON (-BT) AND (-TT) MODELS, ADDITIONAL VENT PIPING IS BY OTHERS. FOR TOP SUPPLY INLET DIMENSIONS, SEE APPROPRIATE MODEL INSTALLATION.



ACORN ENGINEERING COMPANY
 P.O. BOX 3527 INDUSTRY, CA. 91744
 (626) 336-4561 FAX (626) 961-2200

TITLE SUPPLY & VENT COVER SUFFIX OPTION (-SC)		
MANUFACTURE DATE DEC.1986 TO PRESENT	DATE ISSUED 3-1-94	DRAWING NUMBER 9912-251-001
	DATE REVISED	



INSTALLATION INSTRUCTIONS

A- SCREW 21-1/2" LONG REINFORCING PIPE ① INTO COUPLING ②.

B- INSERT TOWEL DISPENSER BRACKET ASSEMBLY ③ OVER REINFORCING PIPE ①.

C- ATTACH LID ④ TO SPRAYHEAD ⑤ WITH FASTENERS PROVIDED. INSTALL PIPE CAP ⑥.

D- ATTACH TOWEL DISPENSER ⑦ (FASTENERS PROVIDED).



ACORN ENGINEERING COMPANY
 P.O. BOX 3527 INDUSTRY, CA. 91744
 (626) 336-4561 FAX (626) 961-2200

TITLE

TOWEL DISPENSER BRACKET INSTALLATION

MANUFACTURE DATE

AUG 1985
TO PRESENT

DATE ISSUED

12-1-89

DATE REVISED

3-1-90

DRAWING NUMBER

9912-250-001