

INSTALLATION INSTRUCTIONS:

- A- If using wall carrier, Install wall carrier per carrier manufacturer's instructions. Otherwise provide appropriate countertop support.
- B- Install spouts and valves per manufacturers instructions.
- C- Install soap dispenser per manufacturers instructions.
- D- Make up waste connections. If using ACORN piping assembly, rough in is 1-1/2" O.D. plain end.
- E- After thoroughly flushing supply lines make-up supply connections.



ACORN ENGINEERING COMPANY
 P.O. BOX 3527 INDUSTRY, CA. 91744
 (626) 336-4561 FAX (626) 961-2200

TITLE **Meridian Corterra™ Counter-Lav - Cat. # 3760 Series**

MANUFACTURE DATE
JULY 1999
TO PRESENT

DATE ISSUED
10/12/99
 DATE REVISED
08/30/01


DRAWING NUMBER
9927-310-001

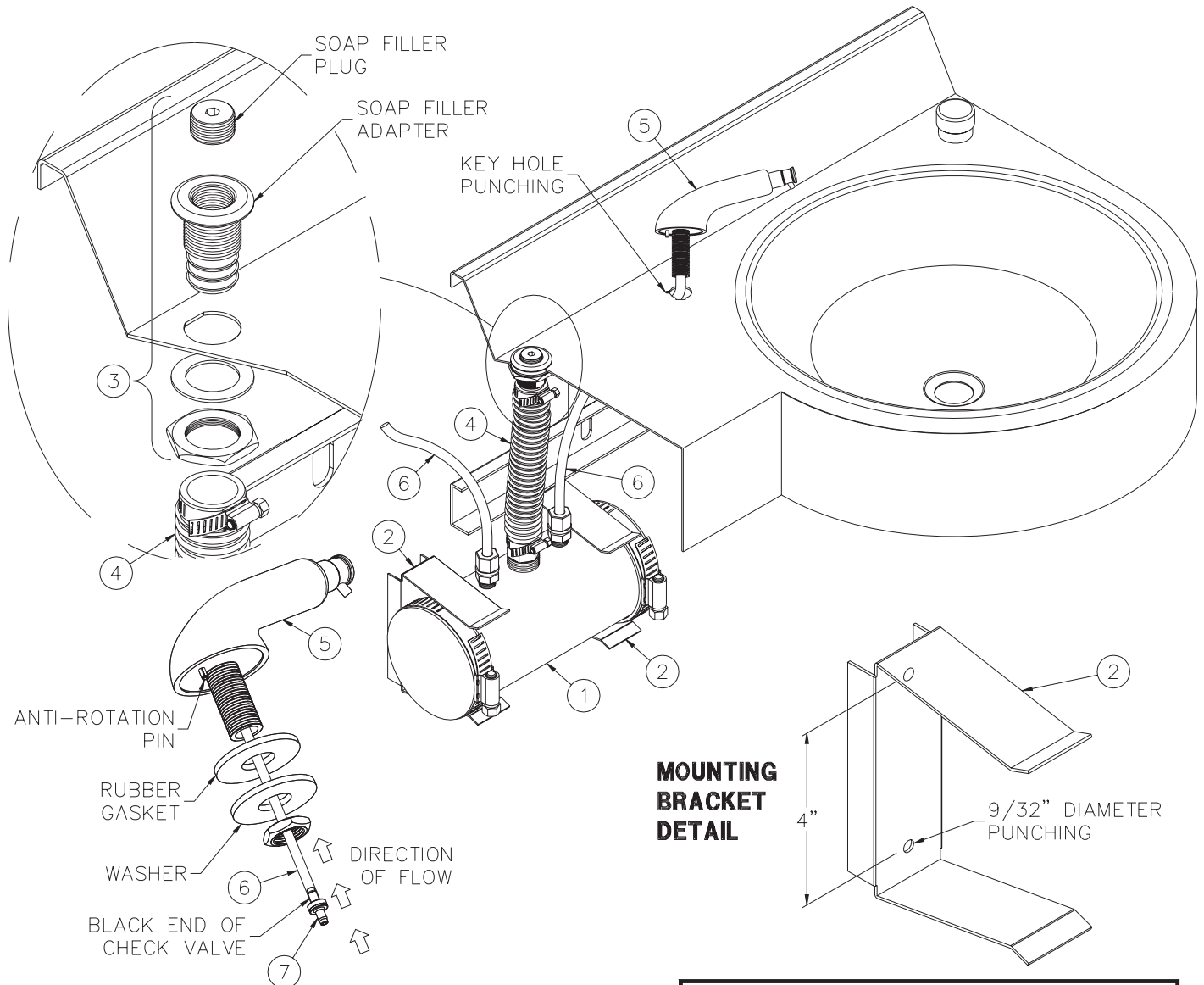


CORTERRA SHOULD BE KEPT CLEAN AT ALL TIMES. IF MAINTAINED, CORTERRA SURFACES WILL RETAIN THEIR NEW, CLEAN APPEARANCE

IN ORDER TO REMOVE ANY UNWANTED STAINS, WASH WITH SOAPY WATER THEN RINSE.

FROM OCCURRING, DRY SURFACE RIGHT AFTER RINSING. IF THE STAIN PERSISTS, USE A SCOTCH BRITE PAD R, OR YOU

 ACCENT ENGINEERING COMPANY P.O. BOX 3527 INDUSTRY, CA. 91744 (626) 336-4561 FAX (626) 961-2200	TITLE CORTERRA MAINTENANCE & REPAIR SHEET	
	MANUFACTURE DATE DECEMBER 1997 TO PRESENT	DATE ISSUED 05/04/98 DATE REVISED 10/25/04



FOR BEST RESULTS INSTALL SOAP RESERVOIR FILL HOLE DIRECTLY BELOW SOAP FILLER ON DECK WITH REFILL TUBE AS SHORT AND STRAIGHT AS POSSIBLE TO FACILITATE REFILL OF SOAP WITHOUT BACKUP OR OVERFLOW.

- A- INSTALL SOAP RESERVOIR (1) TO WALL INSIDE THE TRAP ENCLOSURE USING THE MOUNTING BRACKETS (2) PROVIDED. WALL ANCHORS AND FASTENERS ARE BY OTHERS.
- B- INSTALL SOAP FILLER ASSEMBLY (3) TO DECK.
- C- ATTACH THE 1-1/4" O.D. REFILL TUBE (4) TO SOAP FILLER ASSEMBLY (3) & SOAP RESERVOIR (1) WITH THE HOSE CLAMPS PROVIDED.

REFERENCE DRAWING	
ASSEMBLY	NUMBER
SOAP DISPENSER	9965-075-002

- D- INSTALL SOAP DISPENSER(S) (5) ONTO DECK BY ALIGNING ANTI-ROTATION PIN WITH KEY HOLE. NOTE THAT GASKET AND WASHER ARE LOCATED BENEATH THE DECK.
- E- ATTACH THE 3/8" O.D. TUBING (6) TO THE DISPENSER(S) (5) & RESERVOIR (1). NOTE: CHECK VALVE(S) (7) MUST BE FIELD SPLICED INTO TUBING (6) & INSTALLED WITH RESPECT TO DIRECTION OF FLOW.
- F- TO FILL SOAP RESERVOIR, REMOVE THE FILLER PLUG FROM THE SOAP FILLER ADAPTER. SLOWLY POUR SOAP DOWN OPENING AND REPLACE PLUG.



ACORN ENGINEERING COMPANY
 P.O. BOX 3527 INDUSTRY, CA. 91744
 (626) 336-4561 FAX (626) 961-2200

TITLE		
-PDM SOAP DISPENSER INSTALLATION DETAIL		
MANUFACTURE DATE	DATE ISSUED	DRAWING NUMBER
JUNE 2001	08/24/01	9927-210-003
TO PRESENT	DATE REVISED	
	06/22/04	