

**SIDE VIEW**

**NOTE:**

Rough-ins for units with suffix option -SST Stainless Steel Toilet:

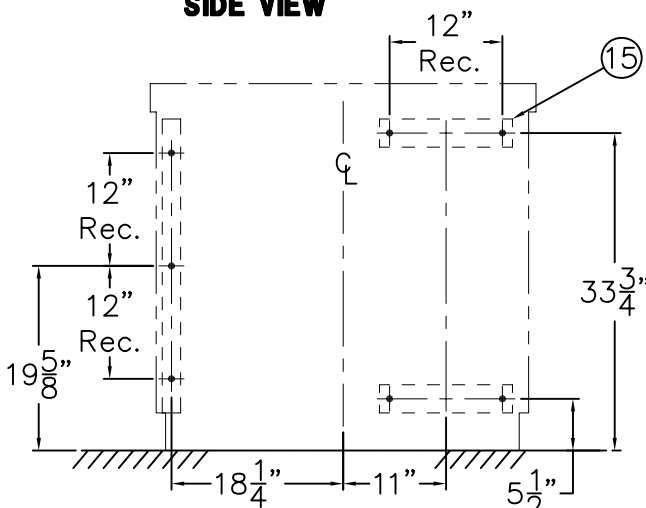
- 1) Off-Floor units remain the same as standard shown.
- 2) On-Floor units differ from standard. Contact factory for required rough-ins.

NOTE: Walls must be straight and plumb/square in order to prevent deformation of cabinet and malfunction of toilet cover assembly.

NOTE: Toilet must be installed prior to installing cabinet.

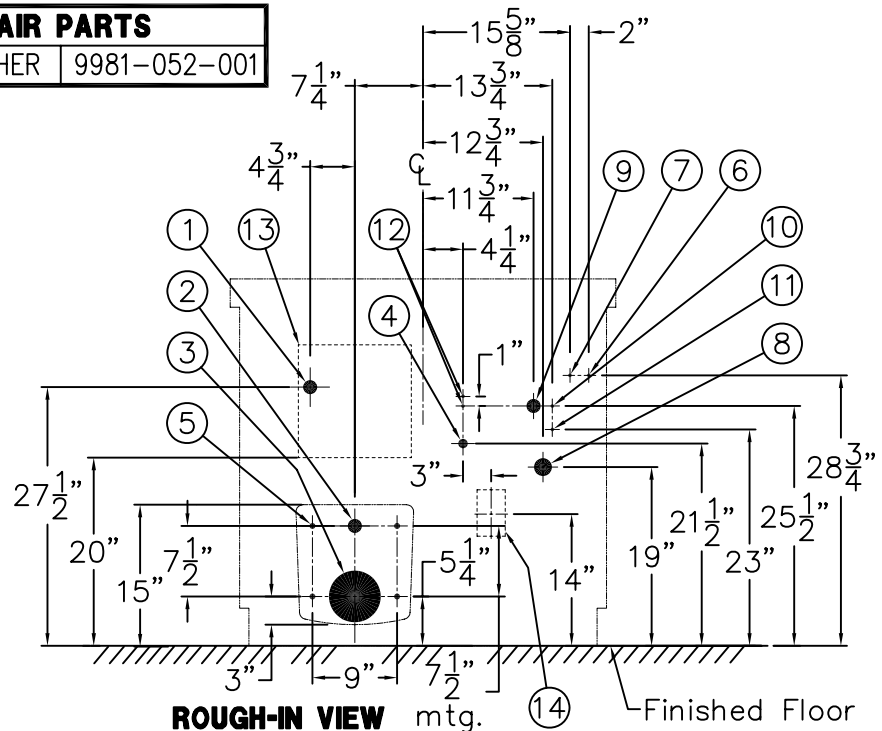
**REPAIR PARTS**

BEDPAN WASHER	9981-052-001
---------------	--------------



**WALL BACKING DETAIL**

View from fixture side L.H. unit shown. Right hand unit opposite.



**ROUGH-IN VIEW**

**ROUGH-IN FOR THE FOLLOWING PLUMBING CONNECTIONS:**

- ① Flush valve supply inlet 1" NPT.
- ② Flush valve inlet piping to toilet 1-1/2" NPT.
- ③ Toilet waste 5-1/2" diameter recessed gasket flange.
- ④ Bedpan washer inlet 3/8" NPT from vacuum breaker. Acorn recommends a pressure type vacuum breaker for backflow prevention. However, follow local codes for installation of backflow prevention device.
- ⑤ (4) 5/8" UNC studs for carrier. (An appropriate certified water closet support or carrier must be used. (BY OTHERS). Installation instruction supplied by carrier must be followed).
- ⑥ Dialysis box inlet 1/2" NPT. Single valve.
- ⑦ Dialysis box inlet 1/2" NPT. Second (dual) valve.
- ⑧ Dialysis box outlet 1-1/2" nominal I.P.S. (Schedule 5 pipe)
- ⑨ Lavy waste 1-1/2" O.D. tailpiece for P-Trap compression fitting.
- ⑩ Lavy cold inlet 3/8" NPT.
- ⑪ Lavy hot inlet 3/8" NPT.
- ⑫ (2) 5/16" diameter inlet and outlet hydraulic pushbutton holes.
- ⑬ 12-1/2" x 12-1/2" wall opening for access panel.
- ⑭ **-SO OPTION:** 110VAC Electrical receptacle for 24VAC Plug-in transformer. Note: Receptacle should be wired to a G.F.I. protected circuit.
- ⑮ Required wall mounting locations. Field drilled for minimum 5/16" size fasteners.

NOTE: HOLD ±1/16" TOLERANCE ON ALL ROUGH-IN DIMENSIONS.



ACORN ENGINEERING COMPANY  
P.O. BOX 3527 INDUSTRY, CA. 91744  
(626) 336-4561 FAX (626) 961-2200

TITLE <b>VERSALETTE MODEL No. 4042 ROUGH-IN &amp; WALL BACKING</b>		
MANUFACTURE DATE <b>JANUARY 1999</b>	DATE ISSUED <b>02/16/99</b>	DRAWING NUMBER <b>9915-163-001</b>
<b>TO PRESENT</b>	DATE REVISED <b>01/06/09</b>	