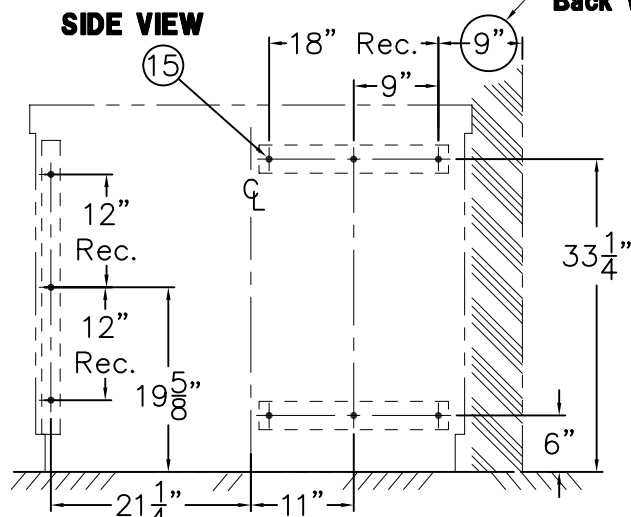


NOTE:
 Rough-ins for units with suffix option
 -SST Stainless Steel Toilet:
 1) Off-Floor units remain the same as standard shown.
 2) On-Floor units differ from standard.
 Contact factory for required rough-ins.

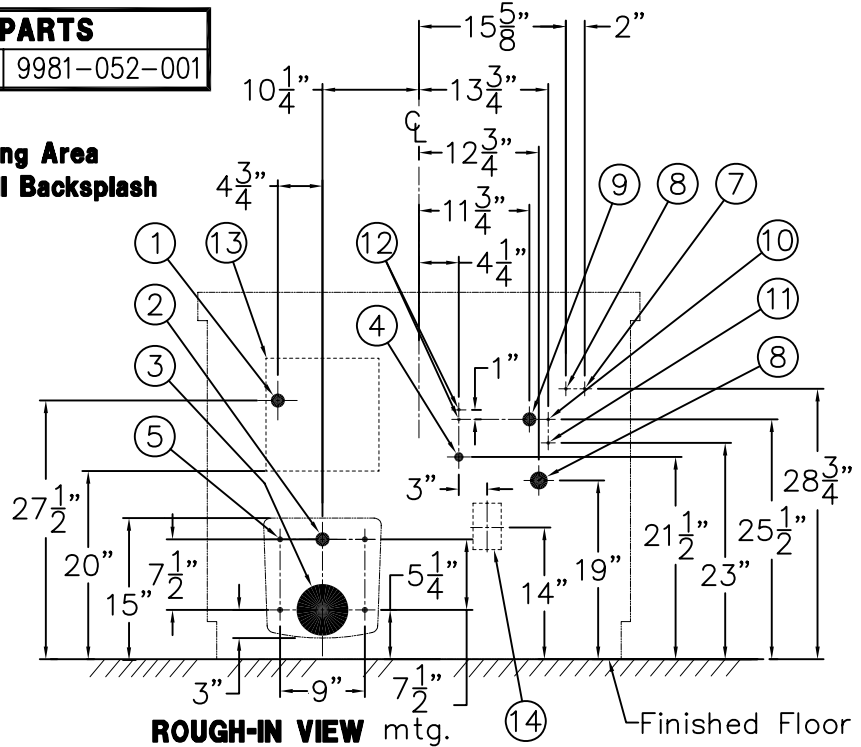
REPAIR PARTS	
BEDPAN WASHER	9981-052-001

NOTE: Walls must be straight and plumb/square in order to prevent deformation of cabinet and malfunction of toilet cover assembly.
 NOTE:
 Toilet must be installed prior to installing cabinet.



WALL BACKING DETAIL

View from fixture side L.H. unit shown. Right hand unit opposite.



ROUGH-IN VIEW mtg.

ROUGH-IN FOR THE FOLLOWING PLUMBING CONNECTIONS:

- ① Flush valve supply inlet 1" NPT.
- ② Flush valve inlet piping to toilet 1-1/2" NPT.
- ③ Toilet waste 5-1/2" diameter recessed gasket flange.
- ④ Bedpan washer inlet 3/8" NPT from vacuum breaker. Acorn recommends a pressure type vacuum breaker for backflow prevention. However, follow local codes for installation of backflow prevention device.
- ⑤ (4) 5/8" UNC studs for carrier. (An appropriate certified water closet support or carrier must be used. (BY OTHERS). Installation instruction supplied by carrier must be followed).
- ⑥ Dialysis box inlet 1/2" NPT. Single valve.
- ⑦ Dialysis box inlet 1/2" NPT. Second (dual) valve.
- ⑧ Dialysis box outlet 1-1/2" nominal I.P.S. (Schedule 5 pipe)
- ⑨ Lavy waste 1-1/2" O.D. tailpiece for P-Trap compression fitting.
- ⑩ Lavy cold inlet 3/8" NPT.
- ⑪ Lavy hot inlet 3/8" NPT.
- ⑫ (2) 5/16" diameter inlet and outlet hydraulic pushbutton holes.
- ⑬ 12-1/2" x 12-1/2" wall opening for access panel.
- ⑭ **-SO OPTION:** 110VAC Electrical receptacle for 24VAC Plug-in transformer. Note: Receptacle should be wired to a G.F.I. protected circuit.
- ⑮ Required wall mounting locations. Field drilled for minimum 5/16" size fasteners.

NOTE: HOLD ±1/16" TOLERANCE ON ALL ROUGH-IN DIMENSIONS.

<p>ACORN ENGINEERING COMPANY P.O. BOX 3527 INDUSTRY, CA. 91744 (626) 336-4561 FAX (626) 961-2200</p>	<p>TITLE VERSALETTE MODEL No. 4044 ROUGH-IN & WALL BACKING</p>		
	<p>MANUFACTURE DATE</p> <p>MAY 1999</p> <p>TO PRESENT</p>	<p>DATE ISSUED</p> <p>05/18/99</p>	<p>DRAWING NUMBER</p> <p>9915-166-001</p>
		<p>DATE REVISED</p> <p>01/06/09</p>	