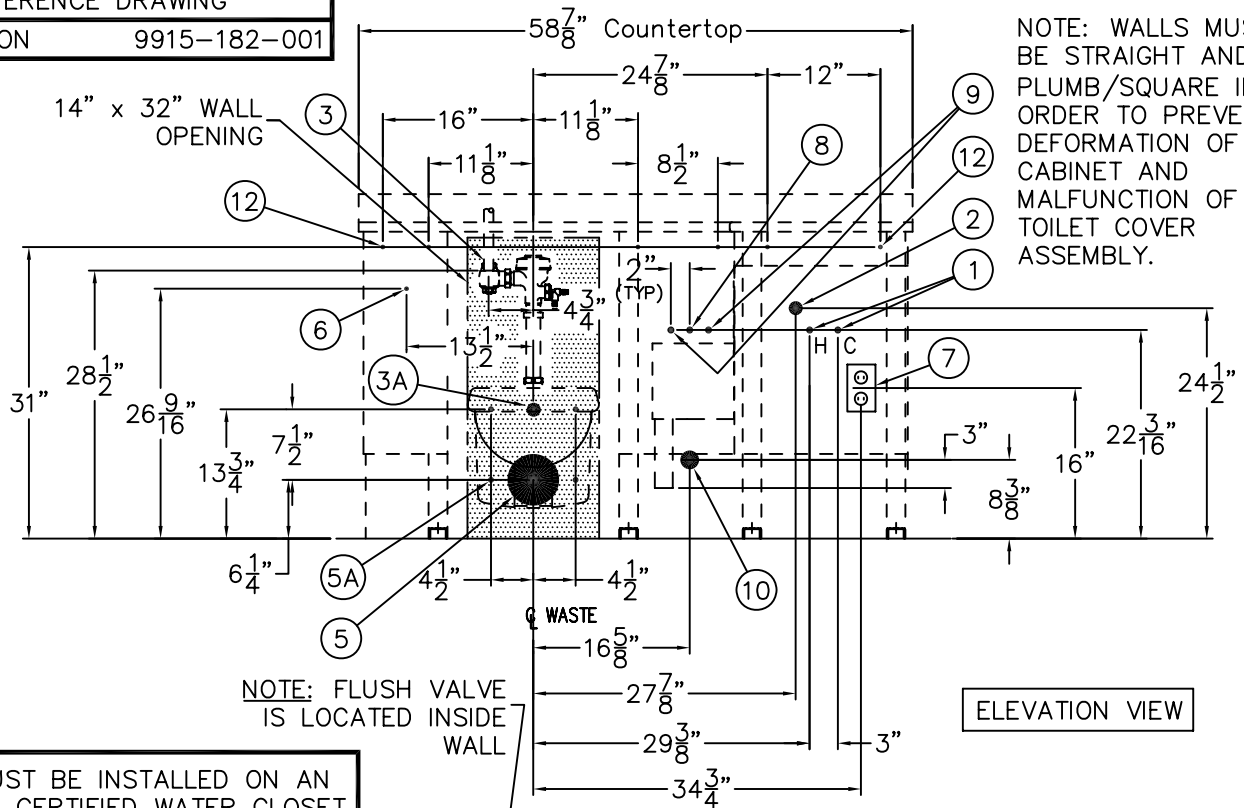




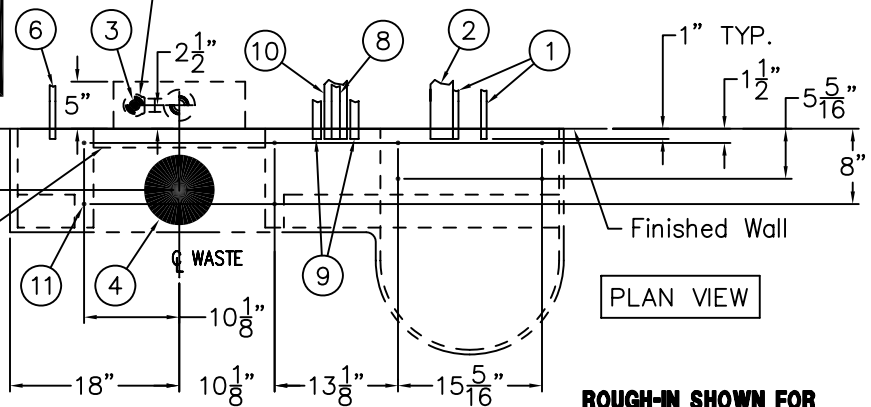
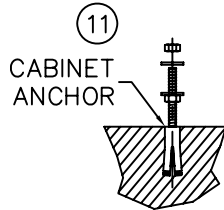
REFERENCE DRAWING
INSTALLATION 9915-182-001



NOTE: WALLS MUST BE STRAIGHT AND PLUMB/SQUARE IN ORDER TO PREVENT DEFORMATION OF CABINET AND MALFUNCTION OF TOILET COVER ASSEMBLY.

NOTE: FLUSH VALVE IS LOCATED INSIDE WALL

THIS UNIT MUST BE INSTALLED ON AN APPROPRIATE CERTIFIED WATER CLOSET SUPPORT OR CARRIER. FOLLOW THE INSTALLATION INSTRUCTIONS PROVIDED WITH YOUR CARRIER OR SUPPORT.



ROUGH-IN SHOWN FOR L.H. MODEL / R.H. MODEL IS OPPOSITE

A- ROUGH-IN FOR THE FOLLOWING PLUMBING CONNECTIONS:

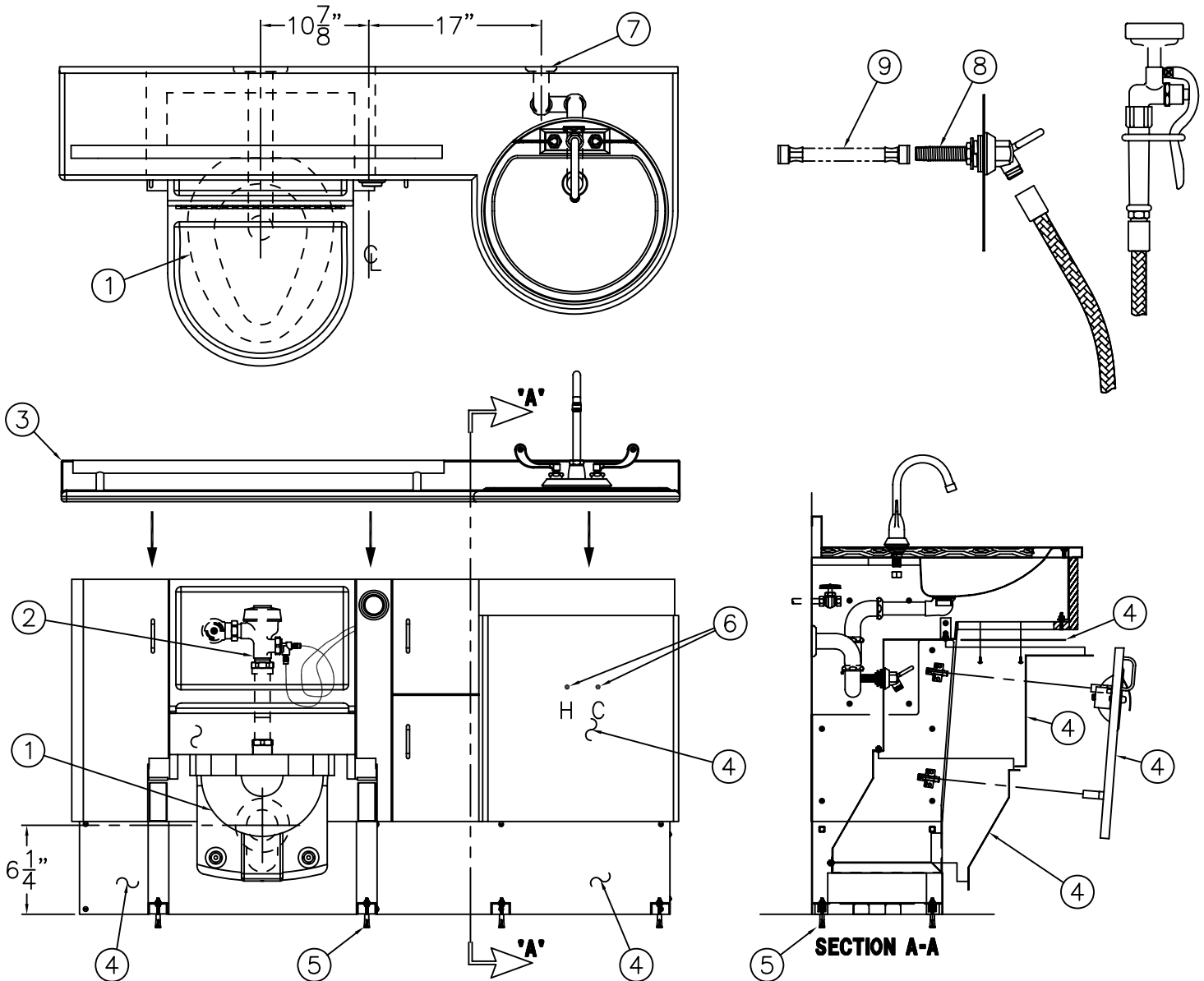
- 3/8" NCT ① SUPPLY FOR LAV
- 1-1/2" OD ② TUBE LAV WASTE OUTLET
- 1" NPT ③ FLUSH VALVE INLET. 1-1/2" NPT ③A FLUSHING INLET TO TOILET
- FLOOR OUTLET ④ -7-1/2" RECESSED GASKET SEAT WITH 5/16" DIA. HOLES AT 6" CENTERS
- WALL OUTLET ⑤ -5-1/2" RECESSED GASKET FLANGE WITH (4) 5/8" UNC STUDS ⑤A (CARRIER AND CARRIER STUDS BY OTHERS).
- 3/8" NPTE ⑥ BEDPAN INLET FROM VACUUM BREAKER BY OTHERS. SEE #9915-182-001.
- -SO OPTION: 110VAC ELECTRICAL RECEPTACLE ⑦ FOR 24VAC PLUG-IN TRANSFORMER. NOTE: RECEPTACLE SHOULD BE A GFI PROTECTED CIRCUIT.

- DIALYSIS BOX INLETS 1/2" NPT. SINGLE VALVE ⑧, DUAL VALVE ⑨. DIALYSIS BOX OUTLET ⑩ 1-1/2" OD FOR P-TRAP BY OTHERS.
- B- LAYOUT ANCHOR PATTERN ON FLOOR AND DRILL: CABINET ANCHORS: ⑪ DRILL HOLES 1" DEEP MINIMUM x 3/8" DIAMETER.
- PROVIDE ADEQUATE WALL BACKING IN WALL FOR ⑫ -(6) 1/4" LAG SCREWS. FOR STEEL FRAMING, SELF-TAPPING SCREWS CAN BE PROVIDED UPON REQUEST.
- C- FOR FURTHER ASSEMBLY INSTRUCTIONS PROCEED TO DRAWING #9915-182-001.

ACORN ENGINEERING COMPANY
P.O. BOX 3527 INDUSTRY, CA. 91744
(626) 336-4561 FAX (626) 961-2200

TITLE **ADA VERSALETTE ANCHORING & ROUGH-IN INSTRUCTION #4048-L/R-1/2/3**

MANUFACTURE DATE	DATE ISSUED	DRAWING NUMBER
OCTOBER 6, 1999	10/06/99	9915-180-001
TO PRESENT	DATE REVISED	
	06/25/07	



INSTALLATION INSTRUCTIONS:

A- INSTALL TOILET (1) AND FLUSH VALVE (2).

THIS UNIT MUST BE INSTALLED ON AN APPROPRIATE CERTIFIED WATER CLOSET SUPPORT OR CARRIER. FOLLOW THE INSTALLATION INSTRUCTIONS SUPPLIED WITH YOUR SUPPORT OR CARRIER.

- B- REMOVE VERSALLETTE FROM SHIPPING PALLET.
- C- REMOVE COUNTERTOP (3) AND ACCESS DOORS AND PANELS (4).
- D- ANCHOR TO WALL AND FLOOR. ALL ANCHORING HARDWARE PROVIDED BY OTHERS (5).
- E- RE-INSTALL COUNTERTOP (3).

F- MAKE UP SUPPLY (6) AND WASTE (7) CONNECTIONS.

G- INSTALL BEDPAN WASHER SUPPLY ADAPTER (8) WITH FLEXIBLE HOSE (9) BY OTHERS MAKING UP CONNECTIONS TO VACUUM BREAKER BY OTHERS; ACORN RECOMMENDS A PRESSURE TYPE VACUUM BREAKER FOR BACKFLOW PREVENTION. FOLLOW LOCAL CODES FOR INSTALLATION OF BACKFLOW PREVENTION DEVICE.

H- TEST FOR PROPER OPERATION AND RE-INSTALL ACCESS PANELS (4).

REFERENCE DRAWINGS	
ROUGH-INS	9915-180-001

ACORN ENGINEERING COMPANY
 P.O. BOX 3527 INDUSTRY, CA. 91744
 (626) 336-4561 FAX (626) 961-2200

TITLE **VERSALETTE MODEL 4048 INSTALLATION**

MANUFACTURE DATE	DATE ISSUED	DRAWING NUMBER
OCTOBER 1999	09/27/01	
TO PRESENT	DATE REVISED	9915-182-001
	06/25/07	