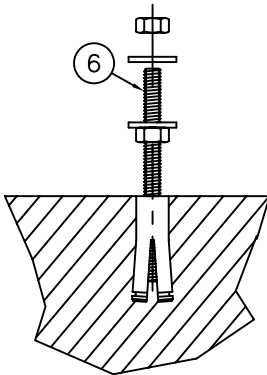
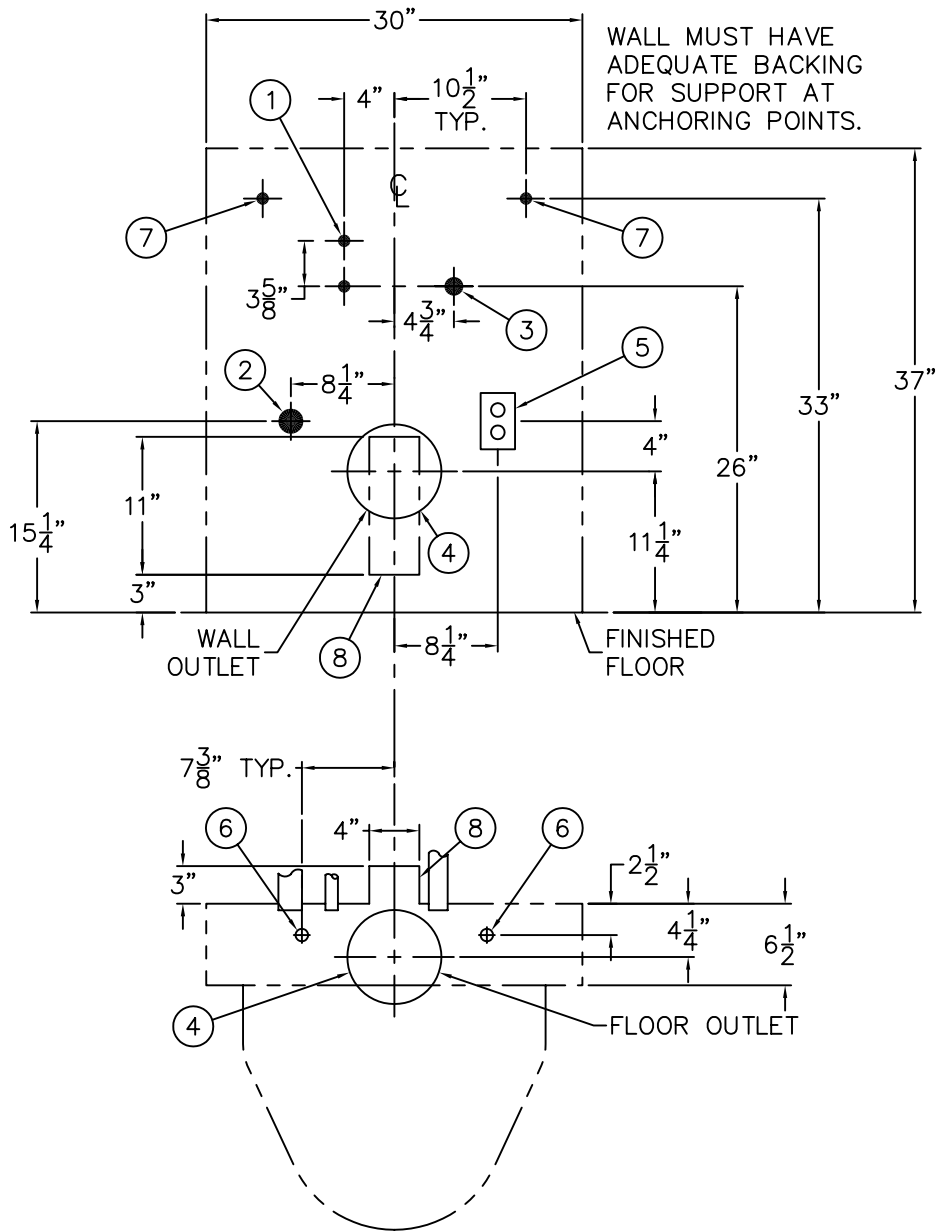




REFERENCE DRAWINGS	
GENERAL INSTALLATION	9915-101-001
GENERAL INSTALLATION	9915-102-001
GENERAL INSTALLATION	9915-104-001
-VF FOOT VALVE	9915-103-002

**ROUGH-IN SHOWN FOR LH MODEL VIEW SHOWN FROM FIXTURE SIDE RH OPPOSITE**



**INSTALLATION INSTRUCTIONS:**

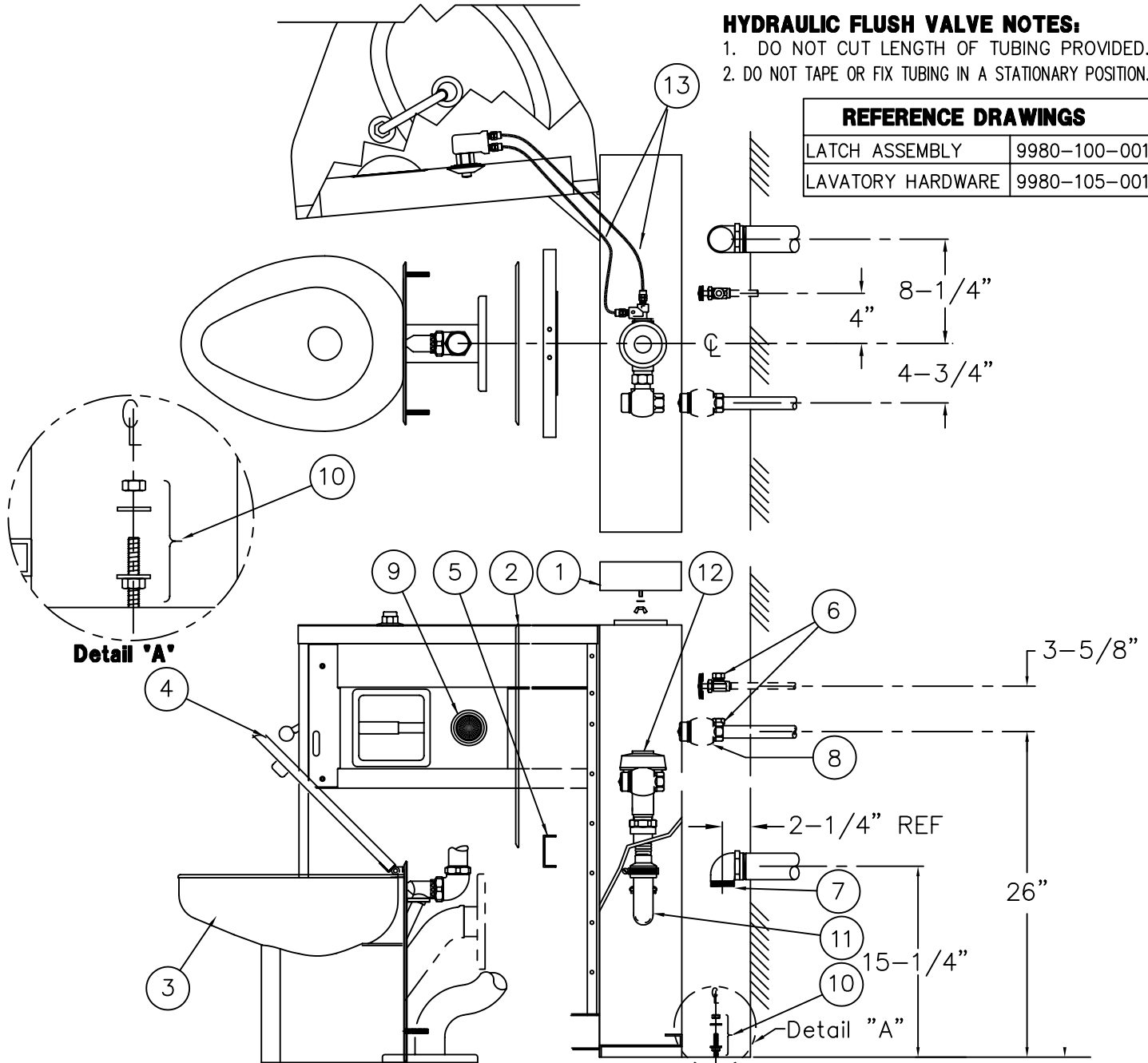
- A- ROUGH-IN FOR THE FOLLOWING PLUMBING CONNECTIONS:
- 1/2" NPS FEMALE LAVATORY VALVE SUPPLIES ①.
  - 1-1/2" NPT LAVATORY WASTE OUTLET ②.
  - 1" NPT FLUSH VALVE INLET ③.
  - 7-1/2" DIAMETER RECESSED GASKET SEAT ④ WITH 5/16 DIAMETER HOLES ON 6" C/C TOILET WASTE OUTLET.
  - -SO OPTION: 110VAC ELECTRICAL RECEPTACLE ⑤ FOR 24VAC PLUG-IN TRANSFORMER. NOTE: RECEPTACLE SHOULD BE WIRED TO A GFI PROTECTED CIRCUIT PROVIDED BY OTHERS.

- B- LAYOUT ANCHOR PATTERN AND DRILL:  
 (2) FLOOR ANCHORS ⑥ 1/2" DIA. x 1-3/8" DEEP.  
 (2) WALL ANCHORS ⑦ 3/4" DIA. THRU HOLES.
- C- INSTALL EXPANSION SHIELDS.
- D- 4" x 11" x 3" DEEP BLOCKOUT REQUIRED FOR FLOOR OUTLET MODELS ⑧.
- FOR FURTHER ASSEMBLY INSTRUCTIONS PROCEED TO DRAWING #9915-101-001.

ACORN ENGINEERING COMPANY  
 P.O. BOX 3527 INDUSTRY, CA. 91744  
 (626) 336-4561 FAX (626) 961-2200

TITLE **SWINGETTE INSTALLATION INSTRUCTIONS 4050 & 4055 MODELS-NEW STYLE**

MANUFACTURE DATE	DATE ISSUED	DRAWING NUMBER
<b>NOVEMBER 1995</b>	<b>11/07/02</b>	
<b>TO PRESENT</b>	DATE REVISED	<b>9915-100-002</b>
	<b>02/12/07</b>	



**HYDRAULIC FLUSH VALVE NOTES:**

1. DO NOT CUT LENGTH OF TUBING PROVIDED.
2. DO NOT TAPE OR FIX TUBING IN A STATIONARY POSITION.

**REFERENCE DRAWINGS**

LATCH ASSEMBLY	9980-100-001
LAVATORY HARDWARE	9980-105-001

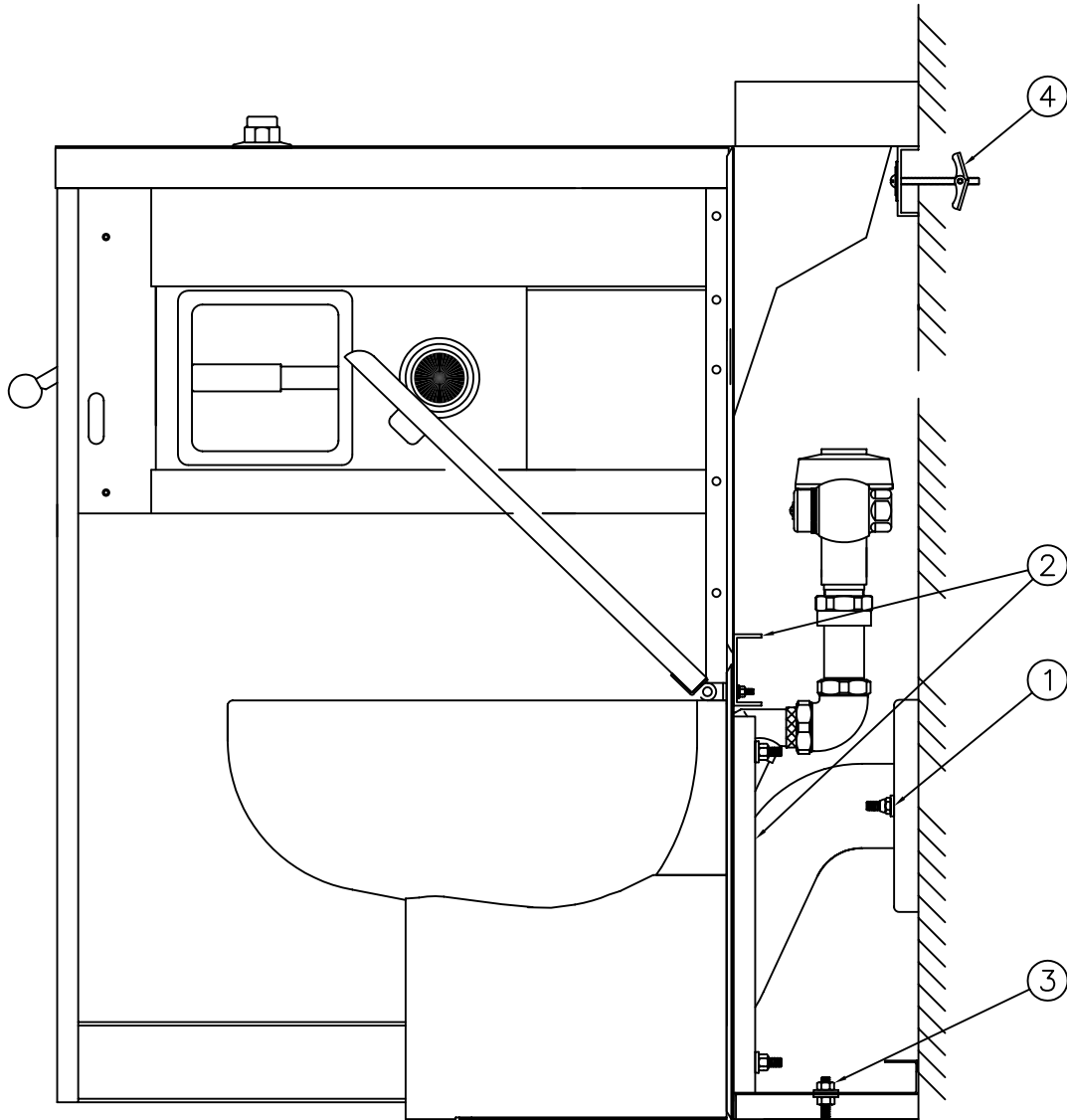
**INSTALLATION INSTRUCTIONS**

**LEFT HAND MODEL SHOWN/RIGHT HAND OPPOSITE**

- A- REMOVE REAR COUNTER ① AND ACCESS PANEL ②.
- B- REMOVE TOILET ③, SEAT ④ AND SEAT CHANNEL ⑤.
- C- CONNECT ANGLE STOPS (BY OTHERS) ⑥ TO LAVATORY SUPPLY STUBOUTS. (LAVY STOPS NOT REQUIRED ON -VF OPTION.)
- D- INSTALL LAVATORY WASTE P-TRAP ELBOW FITTING ⑦ ON LAVATORY WASTE STUBOUT.
- E- INSTALL FLUSH VALVE CONTROL STOP ⑧ ON FLUSH VALVE SUPPLY STUBOUT.
- F- MOVE CABINET IN PLACE. INSTALL MOUNTING STUDS, WASHERS AND NUTS ⑩ INTO EXPANSION SHIELDS,

- G- CONNECT LAVATORY P-TRAP ⑪ TO ELBOW FITTING ⑦.
- H- CONNECT HYDRAULIC FLUSH VALVE ⑫ TO CONTROL STOP ⑧ AND HYDRAULIC PUSHBUTTON ⑨. CONNECT FLUSH VALVE PUSHBUTTON TUBING ⑬ TO FLUSH VALVE ⑫ (DESIGNATED BY "O" AND "L" ON THE FLUSH VALVE AND PUSHBUTTON). LOCATE LINES THRU CABINET AS SHOWN. TIGHTEN VACUUM BREAKER NUT BY HAND ONLY. SEE FLUSH VALVE NOTES.
- I- PROCEED TO 9915-102-001 FOR FURTHER INSTRUCTIONS

<p>ACORN ENGINEERING COMPANY P.O. BOX 3527 INDUSTRY, CA. 91744 (626) 336-4561 FAX (626) 961-2200</p>	TITLE		
	<b>SWINGETTE INSTALLATION INSTRUCTIONS</b>		
	MANUFACTURE DATE	DATE ISSUED	DRAWING NUMBER
	<b>MAY 1982 TO PRESENT</b>	<b>09/01/89</b>  DATE REVISED <b>02/21/07</b>	<b>9915-101-001</b>



**LEFT HAND MODEL SHOWN/RIGHT HAND OPPOSITE**

**INSTALLATION INSTRUCTIONS:**

- A- REINSTALL TOILET MAKING APPROPRIATE WASTE CONNECTION. HAND TIGHTEN RECESSED GASKET FLANGE NUTS ①.
- B- REINSTALL TOILET MOUNTING CHANNELS, WASHERS AND TOILET SEAT ②. NOTE TOILET MUST BE LEVEL AND SQUARE TO CABINET.
- C- TIGHTEN FLOOR MOUNTING NUTS ③. UNIT MUST BE SQUARE TO FLOOR. INSERT WALL FASTENERS ④ AND TIGHTEN.

NOTE: WALL MUST HAVE ADEQUATE WALL BACKING. FOR OPTIONAL -VF FOOT VALVE INSTALLATION; SEE DRAWING #9912-103-002 FOR DETAILS.

- D- COMPLETE TIGHTENING RECESSED GASKET FLANGE NUTS ①.
- E- PROCEED TO DRAWING #9915-104-001 FOR FURTHER INSTRUCTIONS.

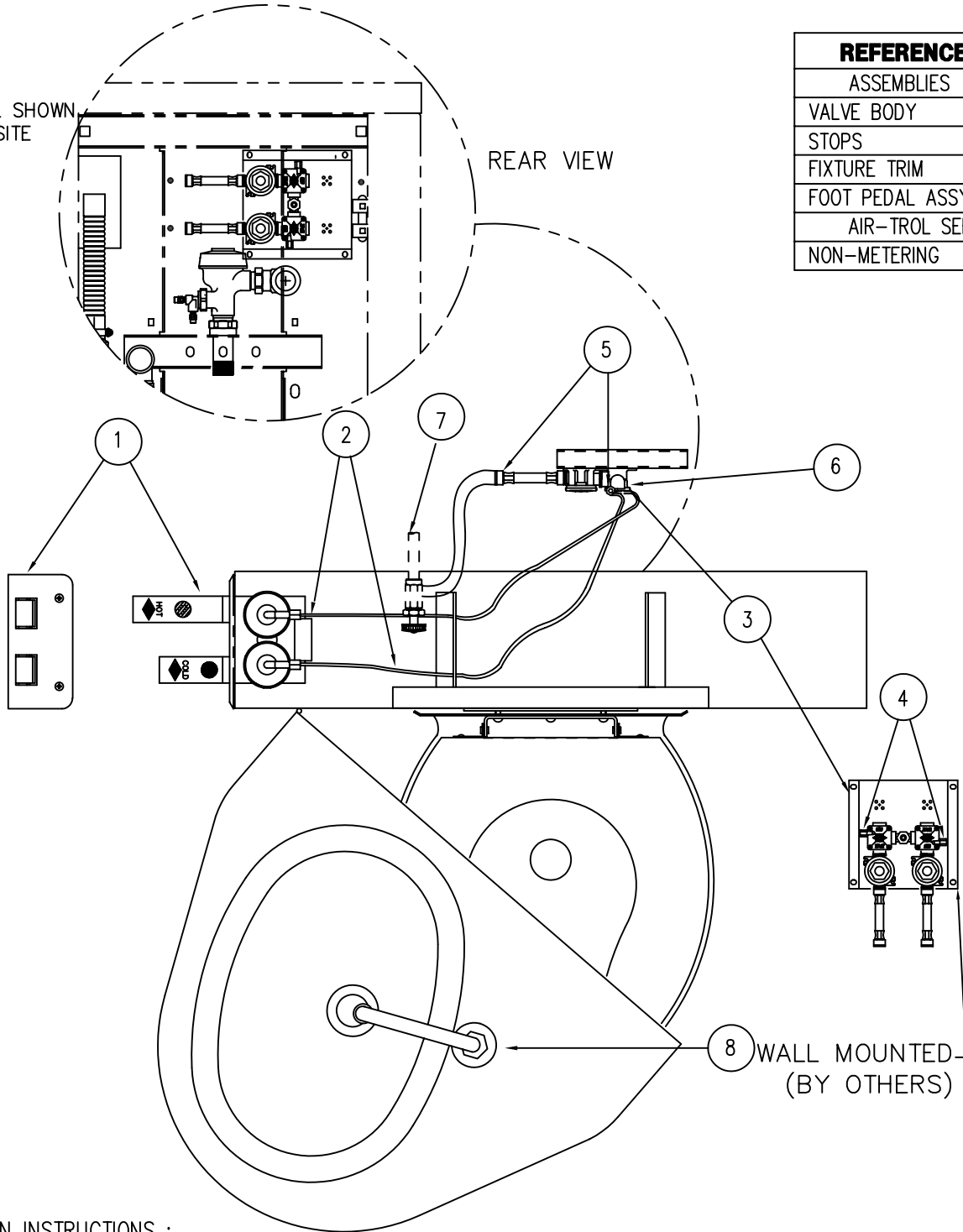


ACORN ENGINEERING COMPANY  
 P.O. BOX 3527 INDUSTRY, CA. 91744  
 (626) 338-4561 FAX (626) 961-2200

<b>TITLE</b>		
<b>SWINGETE INSTALLATION INSTRUCTIONS</b>		
<b>MANUFACTURE DATE</b>	<b>DATE ISSUED</b>	<b>DRAWING NUMBER</b>
<b>MAY 1982</b>	<b>09/01/89</b>	<b>9915-102-001</b>
<b>TO PRESENT</b>	<b>DATE REVISED</b>	
	<b>03/07/07</b>	



LH MODEL SHOWN  
RH OPPOSITE



REFERENCE DRAWINGS	
ASSEMBLIES	NUMBER
VALVE BODY	9955-005-003
STOPS	9956-040-003
FIXTURE TRIM	9957-201-001
FOOT PEDAL ASSY	9981-020-002
AIR-TROL SERVOMOTORS	
NON-METERING	9955-001-002

INSTALLATION INSTRUCTIONS :

A- INSTALL FOOT PEDAL ASSEMBLY ① WITH TWO SCREWS PROVIDED.

B- ATTACH 1/8" DIA. POLYETHYLENE AIR LINES ② FROM FOOT PEDAL ASSEMBLY ① TO VALVE ASSEMBLY ③ WITH 1/8" FERRULE NUTS ④.

C- CONNECT SUPPLY PIPING (BY OTHERS) ⑤ TO VALVE. CONNECT FLEXABLE GOOSENECK SUPPLY HOSE ⑥ TO VALVE OUTLET. SUPPLY HOSE MUST CLEAR DRAIN PIPE COVER.

D- CONNECT LAVATORY SUPPLIES TO ANGLE STOPS (BY OTHERS) ⑦.

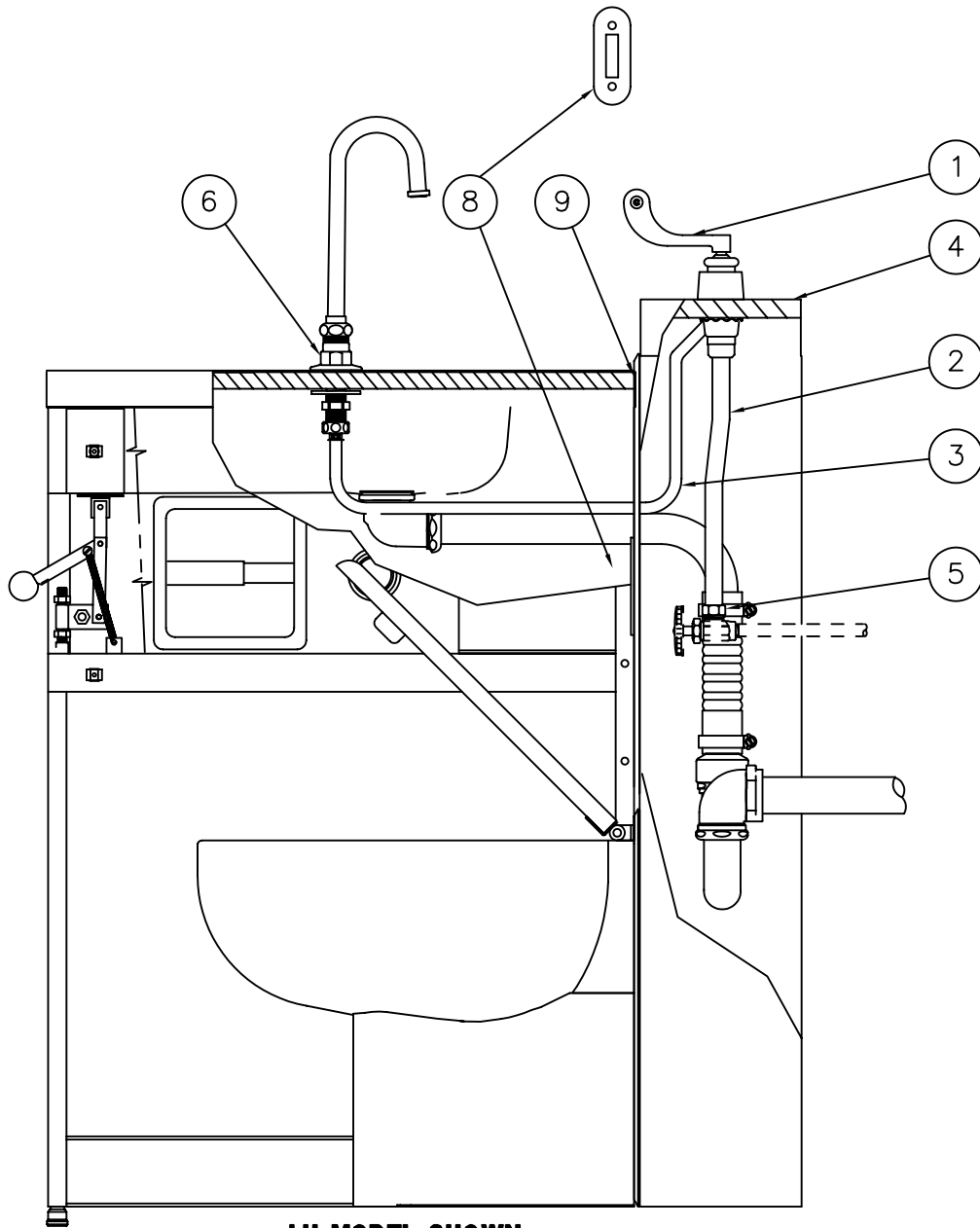
E- INSTALL GOOSENECK ⑧ TO GOOSENECK ESCUTCHEON.

F- SEE 9915-104-001 STEP E FOR FURTHER INSTALLATION DETAILS.



ACORN ENGINEERING COMPANY  
P.O. BOX 3527 INDUSTRY, CA. 91744  
(626) 336-4561 FAX (626) 961-2200


TITLE <b>SWINGETTE FOOT VALVE INSTALLATION -VF</b>		
MANUFACTURE DATE <b>MAY 1994</b> <b>TO PRESENT</b>	DATE ISSUED <b>04/31/94</b>	DRAWING NUMBER <b>9915-103-002</b>
	DATE REVISED <b>03/07/07</b>	



**LH MODEL SHOWN  
RH OPPOSITE**

**INSTALLATION INSTRUCTIONS:**

- A- MOUNT WRIST BLADE VALVE (1) TO REAR COUNTER (4).  
CONNECT SUPPLY PIPING (BY OTHERS) (2) TO VALVE.  
CONNECT FLEXABLE GOOSENECK SUPPLY HOSE (3) TO VALVE  
OUTLET. FOR FOOT OPERATED VALVE SEE 9915-103-002.
- B- REINSTALL REAR COUNTER (4) TO CABINET. NOTE: LAVATORY  
SUPPLY HOSE (BY OTHERS) (2) MUST CLEAR DRAIN PIPE COVER.
- C- CONNECT LAVATORY SUPPLIES (BY OTHERS) (2) TO ANGLE  
STOPS (BY OTHERS) (5).
- D- INSTALL GOOSENECK TO GOOSENECK ESCUTCHEON (6).
- E- ADJUSTABLE LOCKING SUPPORT (7) IS FACTORY ADJUSTED.  
JOB SITE CONDITIONS MAY REQUIRE ADDITIONAL ADJUSTMENT.  
TO ADJUST, REMOVE LATCH MECHANISM COVER, AND ADJUST  
LOCKING SUPPORT SO FRONT CABINET IS HELD FIRMLY IN  
OPEN POSITION WITH HANDLE IN DOWN POSITION.
- F- LATCH STRIKER PLATE (8), ON REAR CABINET, IS FACTORY  
ADJUSTED. AFTER ADJUSTING LOCKING SUPPORT, STRIKER  
PLATE SHOULD BE ADJUSTED, IF NECESSARY.
- G- REINSTALL ACCESS PANEL ON REAR PANEL (9).

 ACORN ENGINEERING COMPANY P.O. BOX 3527 INDUSTRY, CA. 91744 (626) 336-4561 FAX (626) 961-2200	TITLE <b>SWINGETTE HARDWARE INSTALLATION</b>		
	MANUFACTURE DATE <b>MAY 1982</b> <b>TO PRESENT</b>	DATE ISSUED <b>09/01/89</b> <hr/> DATE REVISED <b>03/07/07</b>	DRAWING NUMBER <b>9915-104-001</b>