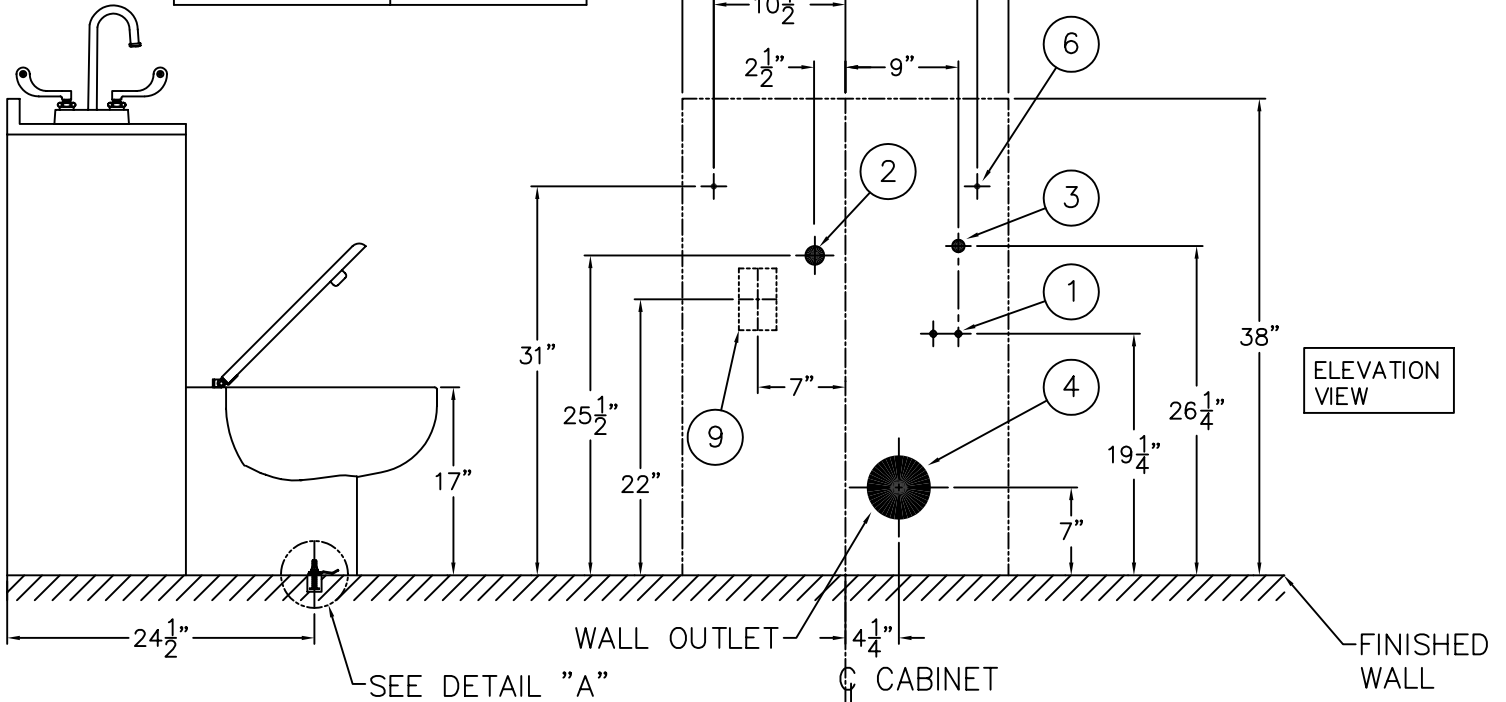


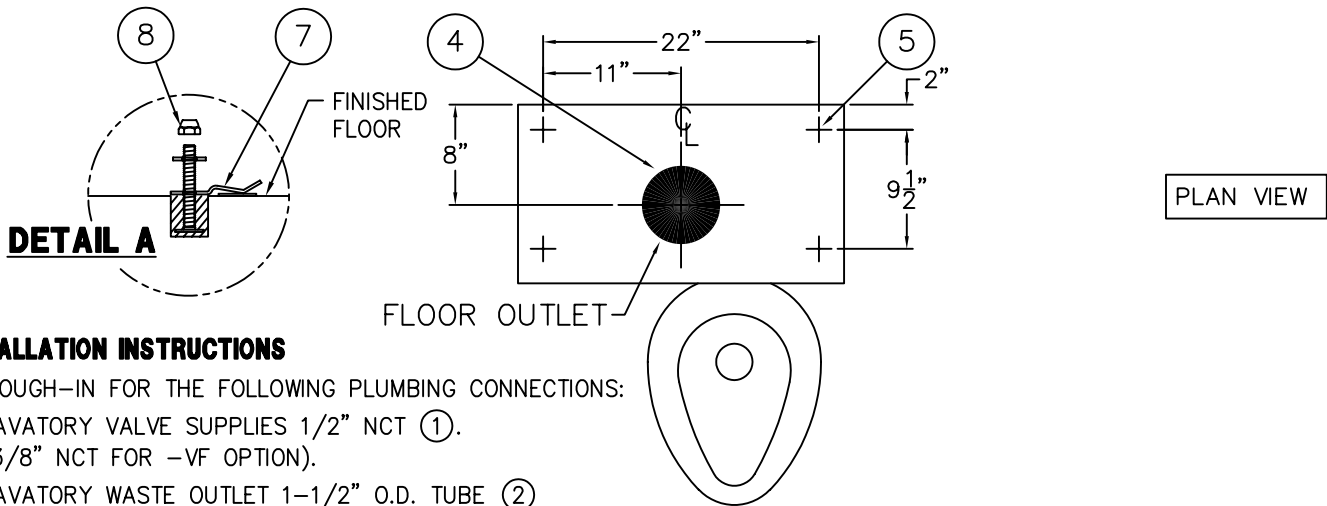


INSTALLATION	NUMBER
CABINET	9915-151-002

NOTE: WALL SUPPORTS ARE OPTIONAL. WALL MUST HAVE ADEQUATE BACKING FOR FIXTURE SUPPORT AT THESE HOLES.



ROUGH-IN SHOWN FOR RIGHT HAND MODEL LEFT HAND OPPOSITE



INSTALLATION INSTRUCTIONS

A- ROUGH-IN FOR THE FOLLOWING PLUMBING CONNECTIONS:

- LAVATORY VALVE SUPPLIES 1/2" NCT (1). (3/8" NCT FOR -VF OPTION).
- LAVATORY WASTE OUTLET 1-1/2" O.D. TUBE (2) FOR COMPRESSION JOINT.
- FLUSH VALVE INLET 1" NPT (3).
- TOILET WASTE 7-1/2" DIA. RECESSED GASKET SEAT WITH 5/16" DIA HOLES AT 6" C/C (4). WALL OUTLET TOILET WASTE 5-1/2" DIA. RECESSED GASKET SEAT.
- **-SO OPTION:** 110VAC ELECTRICAL RECEPTACLE FOR 24VAC PLUG-IN (9) TRANSFORMER. NOTE: RECEPTACLE SHOULD BE WIRED TO A G.F.I. PROTECTED CIRCUIT.
- FLUSH WATER LINES.

B- LAYOUT ANCHOR PATTERN AND DRILL:

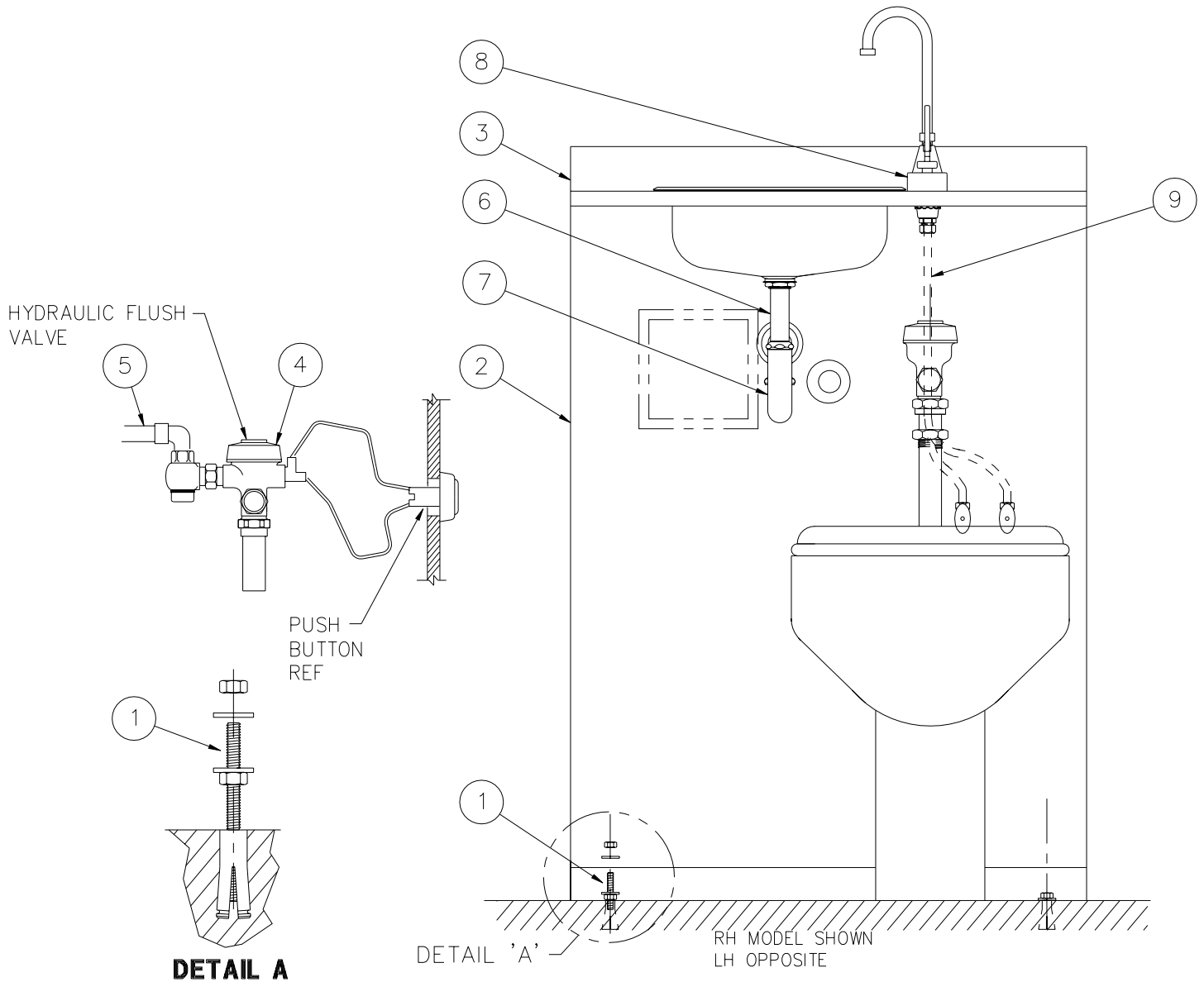
- (2) FLOOR ANCHORS (5) 1/2" DIA x 1-3/8" DEEP
- (2) WALL ANCHORS (6) 3/4" DIA THRU HOLES SEE NOTE FOR ITEM (6).

C- INSTALL EXPANSION SHIELDS.

D- ATTACH CONCEALED FLOOR ANCHORS (7) WITH T-BOLT ASSEMBLY (8) PROVIDED. SEE DETAIL "A". PROCEED TO DRAWING #9915-151-002 FOR FURTHER INSTALLATION INSTRUCTIONS.

ACORN ENGINEERING COMPANY
P.O. BOX 3527 INDUSTRY, CA. 91744
(626) 336-4561 FAX (626) 961-2200

TITLE MODULETTE INSTALLATION INSTRUCTIONS #4060 & 4065 MODELS		
MANUFACTURE DATE OCTOBER 1994 TO PRESENT	DATE ISSUED 10-20-94	DRAWING NUMBER 9915-150-001
	DATE REVISED 03/21/07	



INSTALLATION INSTRUCTION :

- A- ROUGH-IN PER DRAWING #9915-150-001.
- B- INSTALL (4) 5/16"-18 EXPANSION SHIELDS (1) (BY OTHERS) MOVE CABINET (2) IN PLACE. SECURE CABINET TO FLOOR USING 5/16" MOUNTING STUDS, WASHERS AND NUTS PROVIDED (SEE DETAIL 'A').
- C- WITH COUNTERTOP (3) REMOVED, MAKE UP 1" NPT FLUSH VALVE INLET (5) CONNECTION.
- D- ASSEMBLE TAILPIECE (6), P-TRAP (7) AND GOOSENECK VALVE (8) TO LAVY COUNTERTOP (3), ASSEMBLE COUNTERTOP TO CABINET (2) WITH (4) SCREWS PROVIDED. CAULK TO WALL.
- E- CONNECT HOT AND COLD SUPPLY RISERS (9) TO SUPPLY STOPS (10) (BY OTHERS), ALSO TO GOOSENECK VALVE (8).

<p>ACORN ENGINEERING COMPANY P.O. BOX 3527 INDUSTRY, CA. 91744 (626) 336-4561 FAX (626) 961-2200</p>	<p>TITLE MODULETTE INSTALLATION INSTRUCTIONS #4060 AND #4065 MODELS</p>	
	<p>MANUFACTURE DATE OCTOBER, 1997 TO PRESENT</p>	<p>DATE ISSUED 2-12-98</p> <p>DATE REVISED</p>