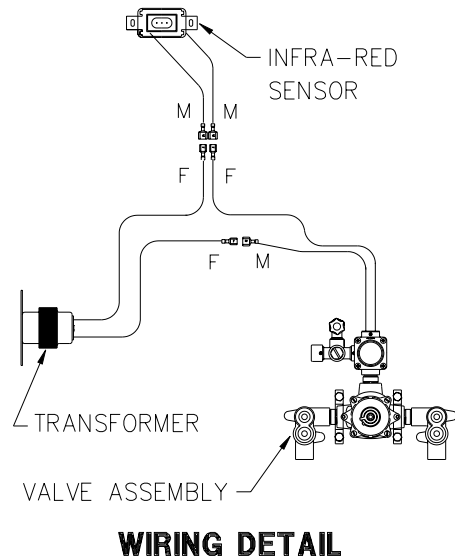
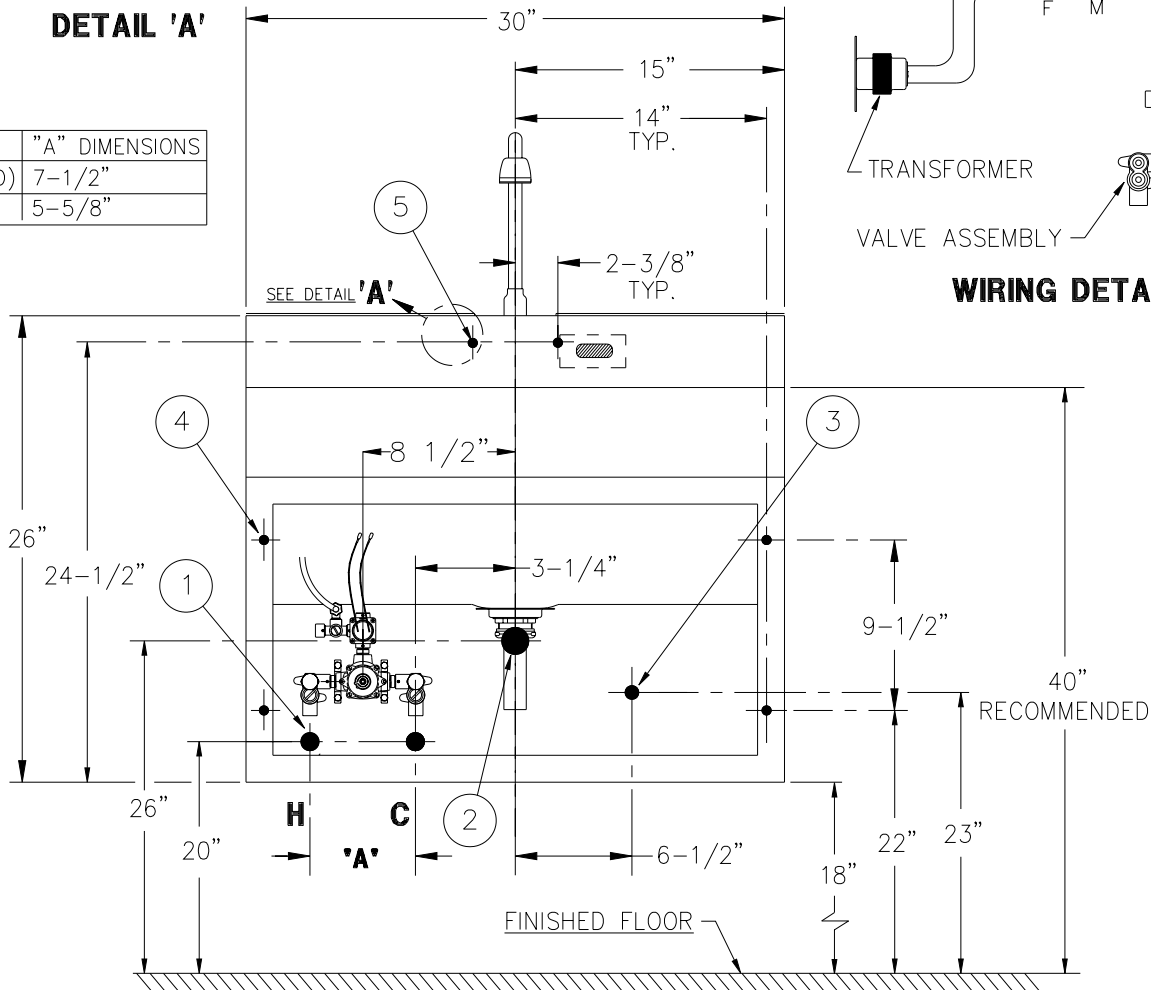


REFERENCE DRAWINGS	
ASSEMBLIES	NUMBER
CHECK STOP/STRAINER	9956-040-001
SENSOR/SOLENOID	9955-015-002
MIXING VALVE	9975-040-001

DETAIL 'A'

MODEL	"A" DIMENSIONS
MXT (STANDARD)	7-1/2"
MXP	5-5/8"



**INSTALLATION INSTRUCTIONS**

A- ROUGH-IN FOR THE FOLLOWING PLUMBING CONNECTIONS:

- SUPPLY INLETS 1/2" NPT (1).
- WASTE OUTLET 1-1/2" O.D. AT WALL (2). DIMENSION SHOWN IS FOR REFERENCE ONLY. P-TRAP IS BY OTHERS.
- LOCATE ELECTRICAL STUBOUT (3), SUPPLY 120V 60HZ 3 AMPS MAX. POWER TO FACTORY INSTALLED TRANSFORMER (WITH JUNCTION BOX).

B- LAYOUT FOR ANCHOR PATTERN AND DRILL:

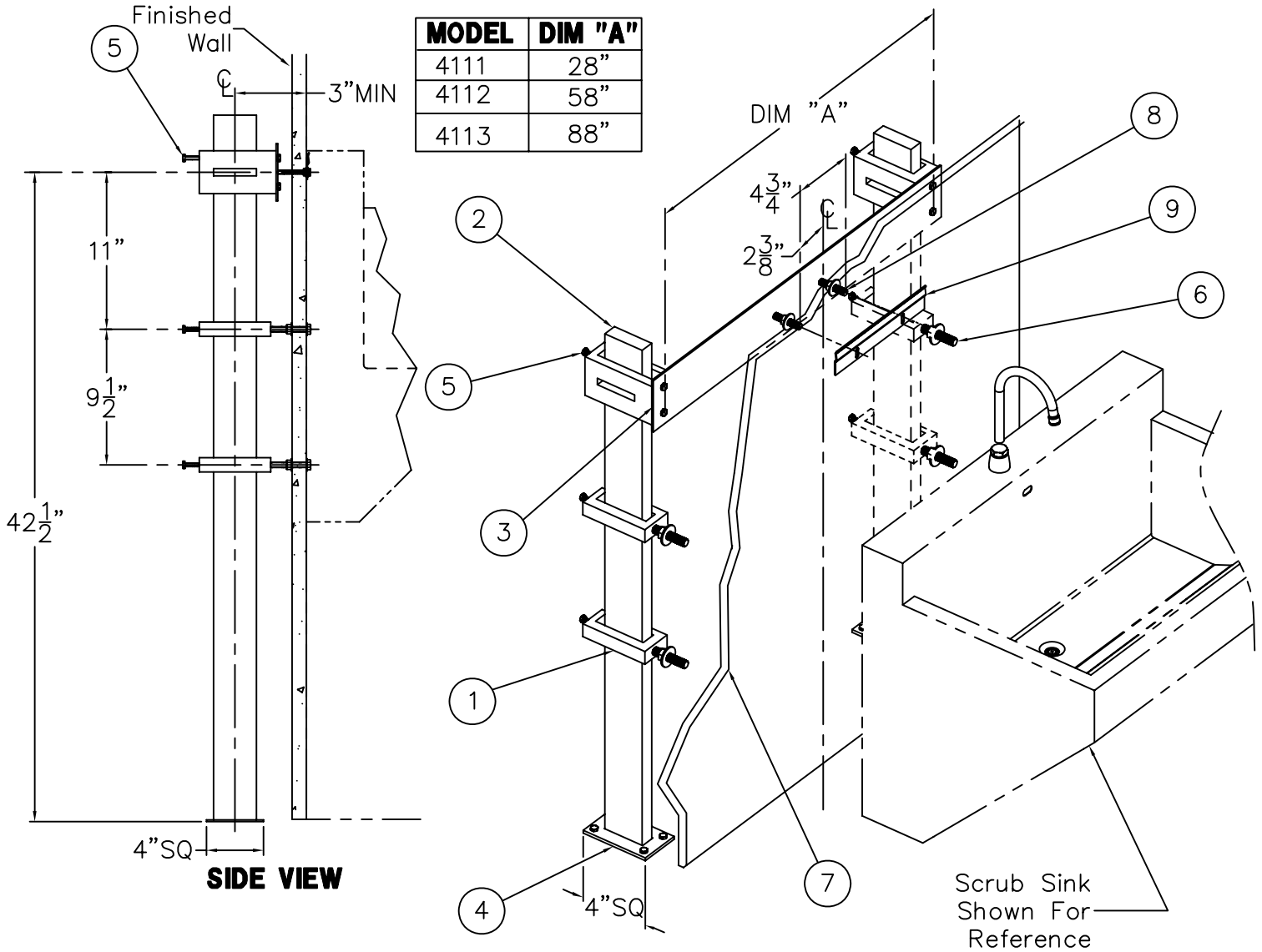
- (4) 1/2" UNC WALL FASTENERS FOR ANCHORS BY OTHERS (4).

- (2) 1/4" UNC WALL FASTENERS FOR S-BRACKETS, WALL ANCHORS BY OTHERS (5). SEE WIRING DETAIL ABOVE.

**NOTE:** TRANSFORMER AND VALVE TO BE MOUNTED TO WALL (SHIP LOOSE) INFRA-RED SENSOR TO BE SHIPPED INSTALLED.

**NOTE:** TRANSFORMER MUST BE WIRED TO A GFI PROTECTED CIRCUIT. FIXTURE MUST BE EARTH GROUNDED PER N.E.C. (NATIONAL ELECTRICAL CODE)

<p><b>ACORN ENGINEERING COMPANY</b><sup>094</sup> P.O. BOX 3527 INDUSTRY, CA. 91744 (626) 336-4561 FAX (626) 961-2200</p>	<p>TITLE <b>1 PERSON COMPACT SURGICAL SCRUB SINK MODEL NO. 4111</b></p>	
	<p>MANUFACTURE DATE <b>JANUARY 1994 TO PRESENT</b></p>	<p>DATE ISSUED <b>01-06-95</b></p> <p>DATE REVISED <b>02-10-99</b></p>



**INSTALLATION INSTRUCTIONS:**

- A- PRIOR TO INSTALLING FINISH WALL COVERING (7) ASSEMBLE -MC MOUNTING CARRIER (7)
- B- PLACE COLLARS (1) ON STANCHIONS (2) AND INSTALL HORIZONTAL SUPPORTS (3) ONTO STANCHIONS (2) .
- C- ANCHOR SUPPORT BASES (4) TO A RIGID FLOOR OR OTHER RIGID SUBSTRUCTURE WITH 9/16" DIA CAPNUTS & WASHERS (4) BY OTHERS.
- D- ADJUST COLLARS (1) TO PROPER HEIGHT AND TIGHTEN SET SCREWS (5)
- E- INSTALL WALL COVERING (7) ALLOWING ACCESS TO 3/8" MOUNTING STUDS (6) AND 1/4" STUDS (8) FOR "S" CLIP MOUNTING.
- F- INSTALL "S" CLIP MOUNTING BRACKET(S) (9) ON FINISHED FACE OF WALL (7) .
- G- COMPLETE ANY NECESSARY ROUGH-IN CONNECTIONS (NOT-SHOWN) FOR SUPPLY AND WASTE PIPING. COMPLETE INSTALLATION OF FINISHED WALL AND MOUNT SCRUB SINK TO "S" CLIP(S) AND PROTRUDING STUDS.

<p>ACORN ENGINEERING COMPANY P.O. BOX 3527 INDUSTRY, CA. 91744 (626) 336-4561 FAX (626) 961-2200</p>	<p>TITLE <b>-MC MOUNTING CARRIER INSTALLATION DETAIL</b></p>	
	<p>MANUFACTURE DATE</p> <p><b>JANUARY 1994</b></p> <p><b>TO PRESENT</b></p>	<p>DATE ISSUED</p> <p><b>05/01/00</b></p> <p>DATE REVISED</p> <p><b>6/11/08</b></p>