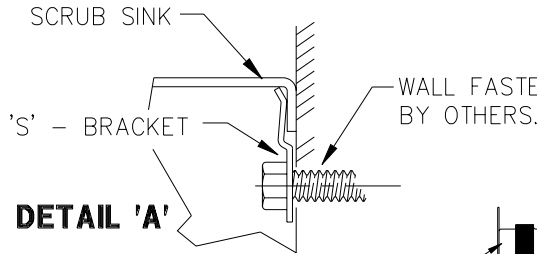


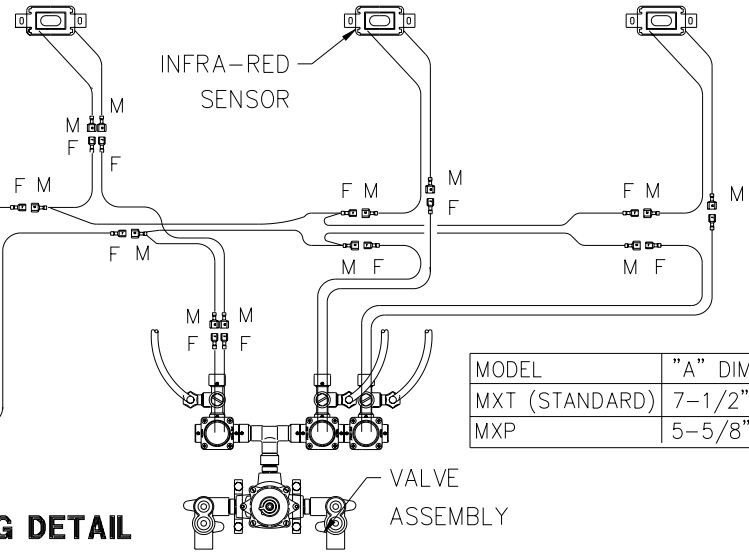


| REFERENCE DRAWINGS | |
|---------------------|--------------|
| ASSEMBLIES | NUMBER |
| CHECK STOP/STRAINER | 9956-040-001 |
| SENSOR/SOLENOID | 9955-015-002 |
| MIXING VALVE | 9975-034-001 |

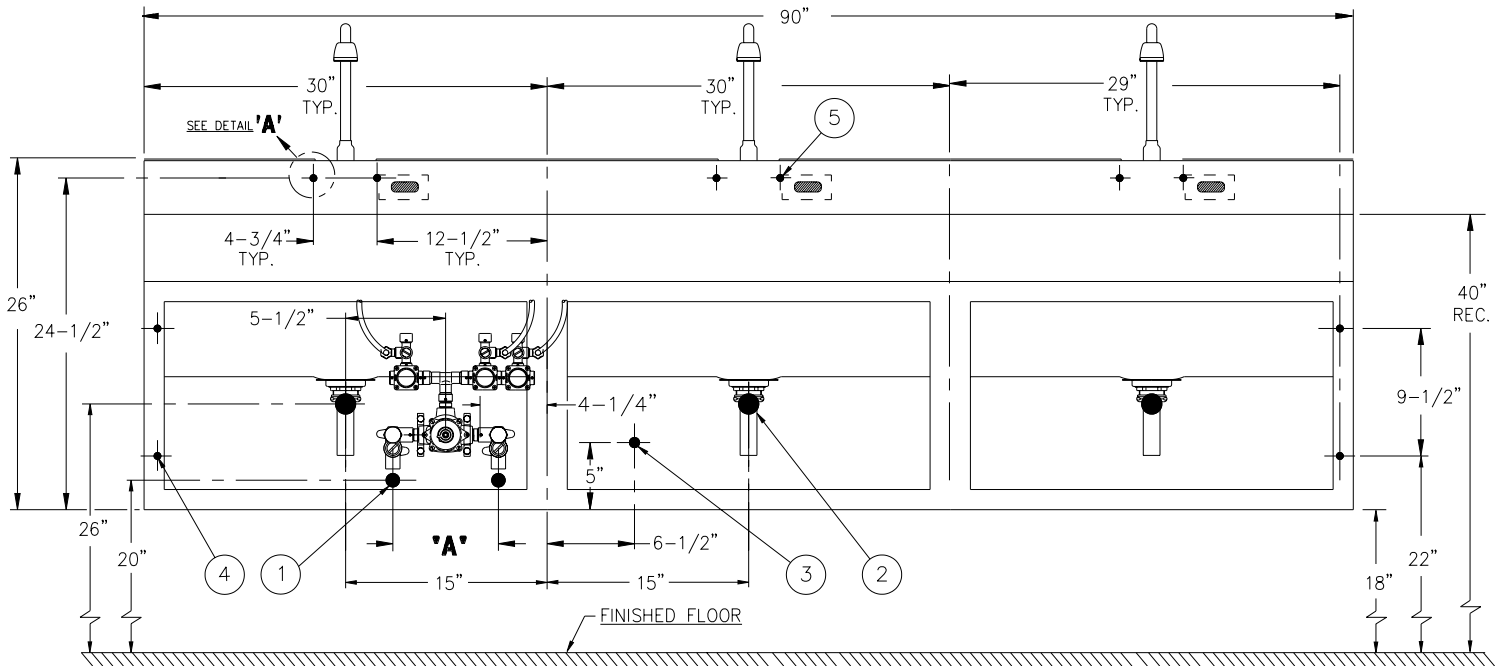


TRANSFORMER

WIRING DETAIL



| MODEL | "A" DIMENSIONS |
|----------------|----------------|
| MXT (STANDARD) | 7-1/2" |
| MXP | 5-5/8" |



INSTALLATION INSTRUCTIONS

A- ROUGH-IN FOR THE FOLLOWING PLUMBING CONNECTIONS:

- SUPPLY INLETS 1/2" NPT (1).
- WASTE OUTLET 1-1/2" O.D. AT WALL (2). DIMENSION SHOWN IS FOR REFERENCE ONLY. P-TRAP IS BY OTHERS.
- LOCATE ELECTRICAL STUBOUT (3), SUPPLY 120V 60HZ 3 AMPS MAX. POWER TO FACTORY INSTALLED TRANSFORMER (WITH JUNCTION BOX).

B- LAYOUT FOR ANCHOR PATTERN AND DRILL:

- (4) 1/2" UNC WALL FASTENERS FOR ANCHORS BY OTHERS (4).
- (4) 1/4" UNC WALL FASTENERS FOR S-BRACKETS, WALL ANCHORS BY OTHERS (5). SEE WIRING DETAIL ABOVE.

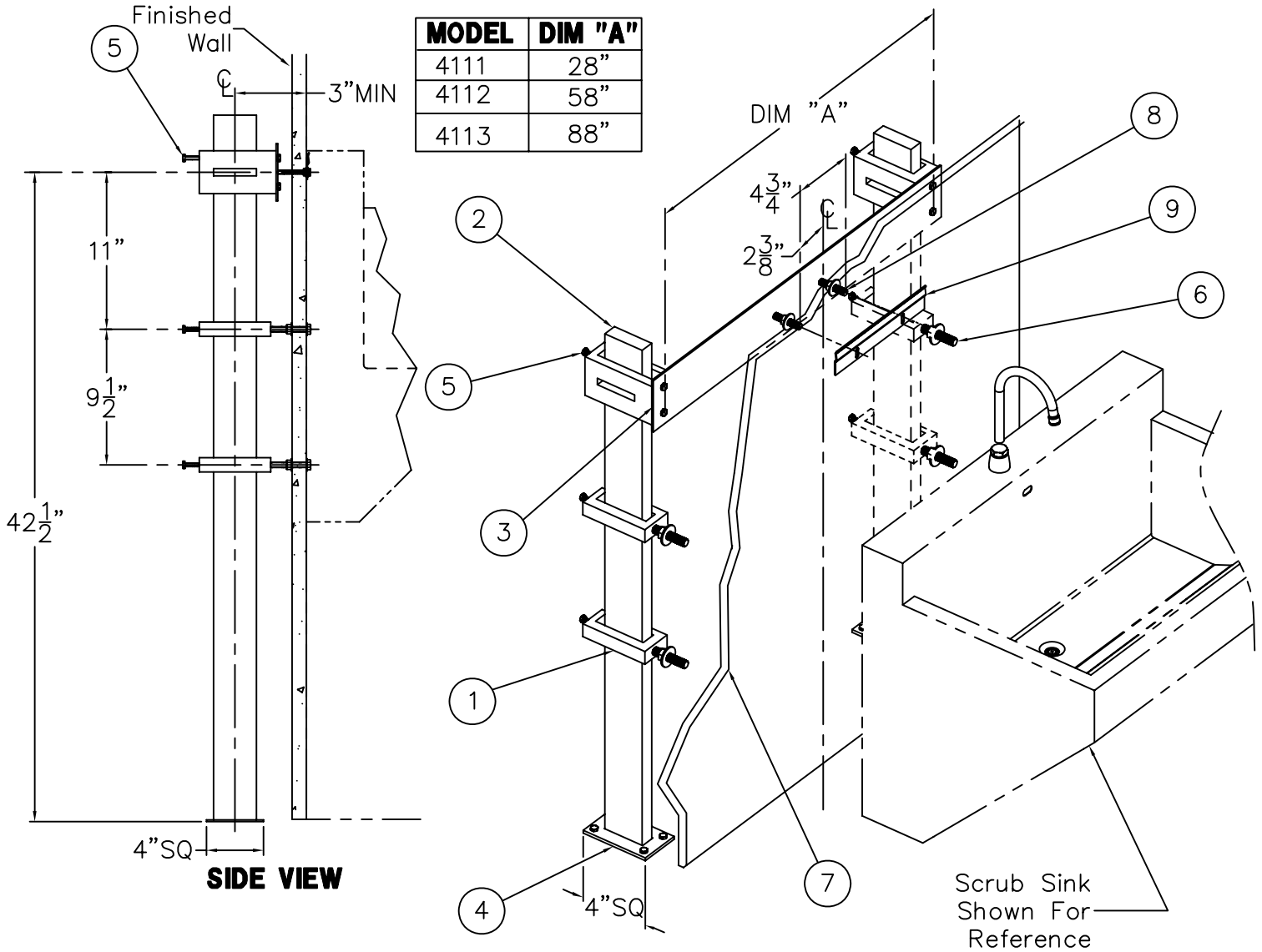
NOTE: TRANSFORMER & VALVE TO BE MOUNTED TO WALL (SHIP LOOSE) INFRA-RED SENSOR TO BE SHIPPED INSTALLED.

NOTE: TRANSFORMER MUST BE WIRED TO A GFI PROTECTED CIRCUIT. FIXTURE MUST BE EARTH GROUNDED PER N.E.C.



ACORN ENGINEERING COMPANY
P.O. BOX 3527 INDUSTRY, CA. 91744
(626) 336-4561 FAX (626) 961-2200

| | | |
|---|---------------------------------|---------------------------------------|
| TITLE 3 PERSON COMPACT SURGICAL SCRUB SINK MODEL NO. 4113 | | |
| MANUFACTURE DATE DECEMBER 1996 TO PRESENT | DATE ISSUED 12-6-96 | DRAWING NUMBER 9930-007-001 |
| | DATE REVISED 02-10-99 | |



INSTALLATION INSTRUCTIONS:

- A- PRIOR TO INSTALLING FINISH WALL COVERING (7) ASSEMBLE -MC MOUNTING CARRIER (7)
- B- PLACE COLLARS (1) ON STANCHIONS (2) AND INSTALL HORIZONTAL SUPPORTS (3) ONTO STANCHIONS (2) .
- C- ANCHOR SUPPORT BASES (4) TO A RIGID FLOOR OR OTHER RIGID SUBSTRUCTURE WITH 9/16" DIA CAPNUTS & WASHERS (4) BY OTHERS.
- D- ADJUST COLLARS (1) TO PROPER HEIGHT AND TIGHTEN SET SCREWS (5)
- E- INSTALL WALL COVERING (7) ALLOWING ACCESS TO 3/8" MOUNTING STUDS (6) AND 1/4" STUDS (8) FOR "S" CLIP MOUNTING.
- F- INSTALL "S" CLIP MOUNTING BRACKET(S) (9) ON FINISHED FACE OF WALL (7) .
- G- COMPLETE ANY NECESSARY ROUGH-IN CONNECTIONS (NOT-SHOWN) FOR SUPPLY AND WASTE PIPING. COMPLETE INSTALLATION OF FINISHED WALL AND MOUNT SCRUB SINK TO "S" CLIP(S) AND PROTRUDING STUDS.

| | | |
|---|---|--|
| ACORN ENGINEERING COMPANY P.O. BOX 3527 INDUSTRY, CA. 91744 (626) 336-4561 FAX (626) 961-2200 | TITLE -MC MOUNTING CARRIER INSTALLATION DETAIL | |
| | MANUFACTURE DATE JANUARY 1994 TO PRESENT | DATE ISSUED 05/01/00 <hr/> DATE REVISED 6/11/08 |