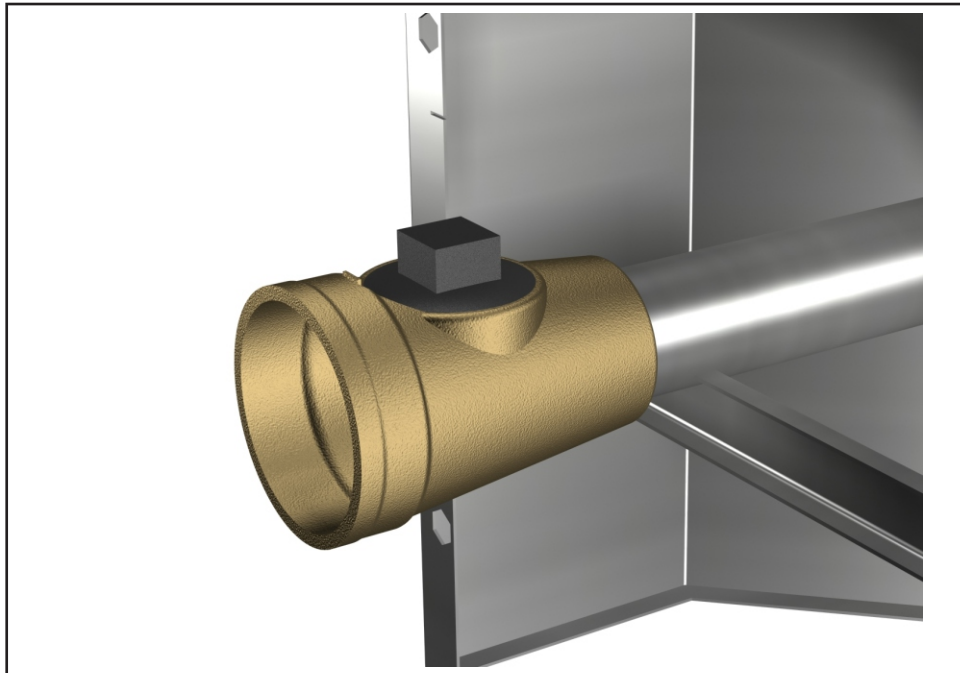




Option -CO1_3



Cleanout with O-Ring, Connecting to No-Hub -

Waste fitting tee; the inlet consists of a 2-3/8" OD slip joint O-ring connection to 3" no-hub connection, is 6-1/4" long and permits a plus or minus 1/2" horizontal adjustment. Removable cleanout plug is 2-1/2" NPT.

Please visit www.acorneng.com for most current specifications.

⚠ WARNING: Cancer and Reproductive Harm - www.P65Warnings.ca.gov

