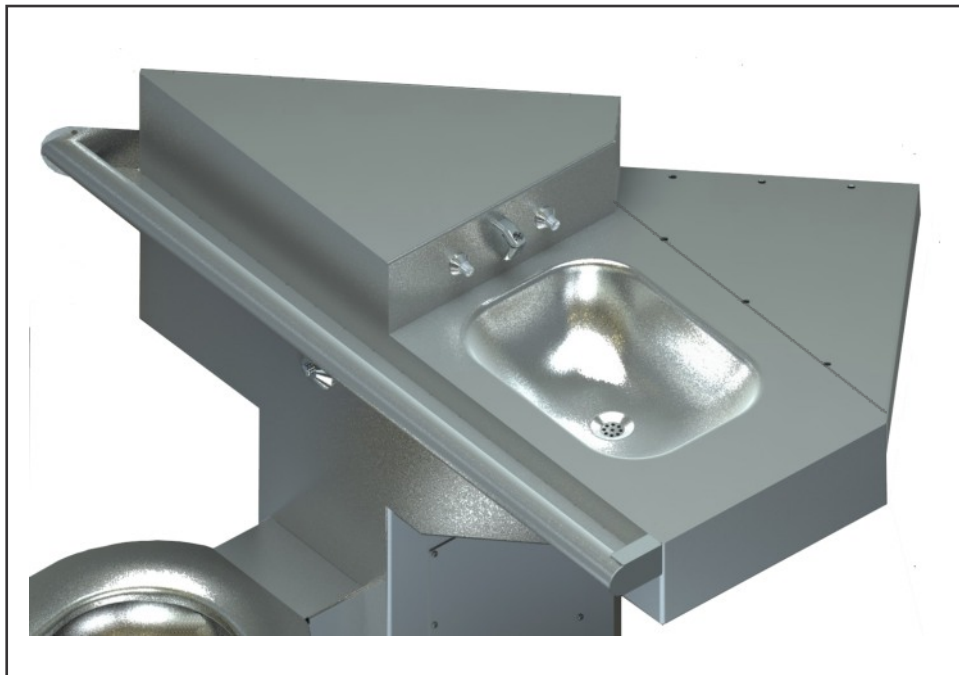




Option -GBC2



Grab Bar & Lavy Closure For 1432 -

This ligature resistant option provides a $\varnothing 1\text{-}1/2''$ OD grab bar with bottom closure plate and lavatory deck closure. Option is fabricated of type 304 stainless steel with exposed surfaces polished to a satin finish. Bottom closure includes an intermittent weld along the grab bar and small openings opposite the grab bar to prevent water from pooling and allow water to drain.

NOTE: The Grab Bar design meets the diameter, required length, inside dimension from mounting surface and Structural Strength requirement for both vertical and horizontal force of 250 pounds in accordance with ADA 2010 Standards. However, the presence of the Closure Plate may render the Grab Bar non-compliant since it impedes upon the complete circumference of the gripping surface. Compliance is subject to the interpretation and requirements of the Local Code Authority (AHJ).



Please visit www.acorneng.com for most current specifications.

⚠ WARNING: Cancer and Reproductive Harm - www.P65Warnings.ca.gov



ACORN ENGINEERING COMPANY :: P.O. BOX 3527 :: CITY OF INDUSTRY, CA 91744 U.S.A.
TOLL FREE 800-488-8999 :: LOCAL 626-336-4561 :: www.acorneng.com

OPTION: -GBC2

Date: 06/26/24