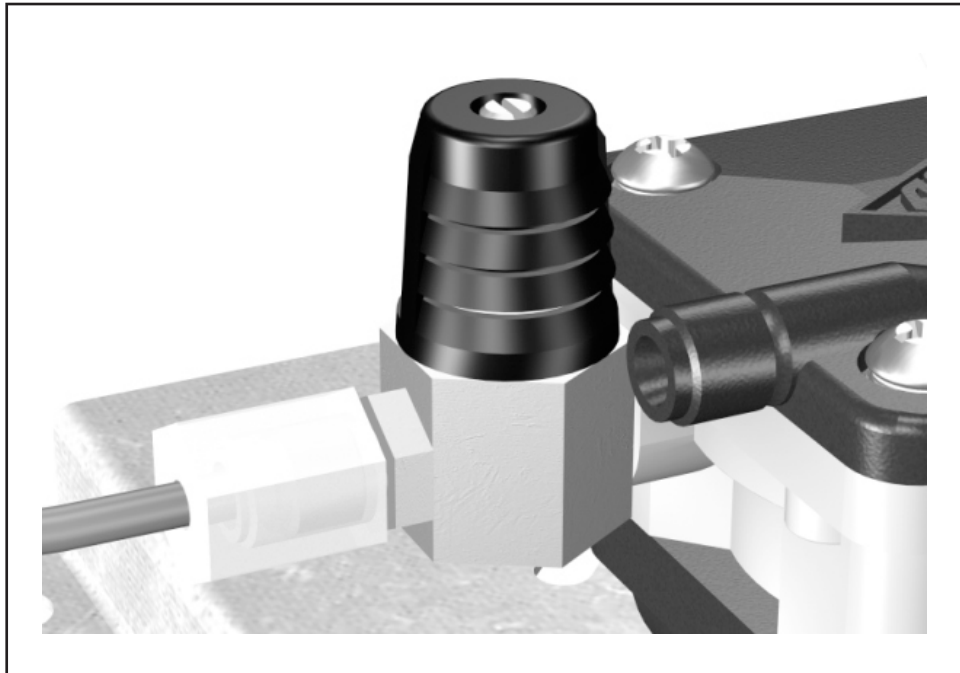




Option -M



Metering -

Metering provides an adjustable timed cycle for flow from Air-Control valve. Timing is field adjustable from 5 to 60 seconds. Air-Control metering valves include a non-hold open feature when specified with this option.

Please visit www.acorneng.com for most current specifications.

 WARNING: Cancer and Reproductive Harm - www.P65Warnings.ca.gov

