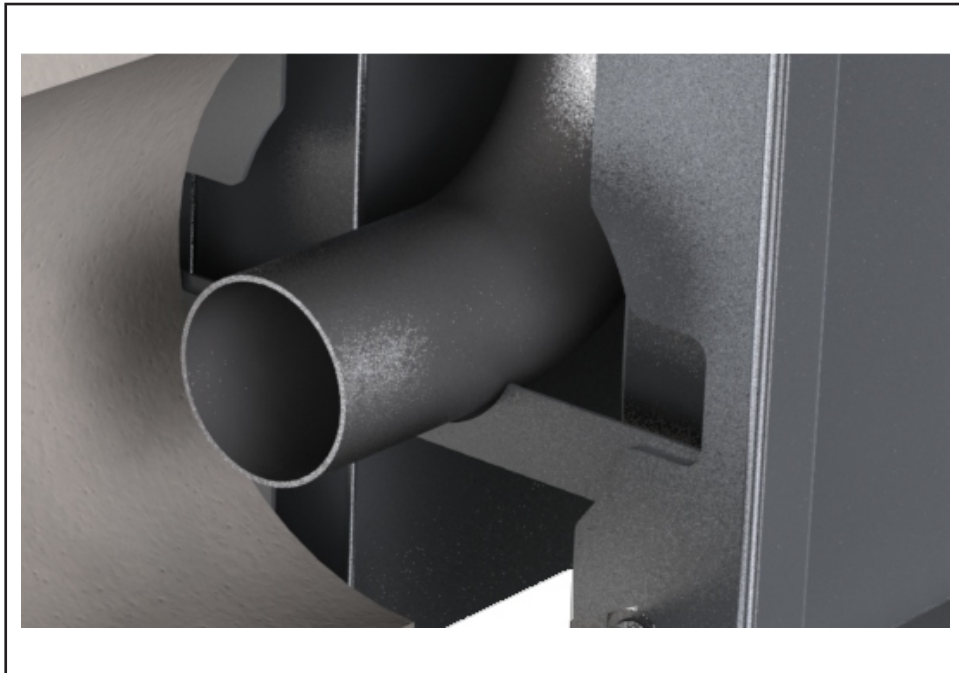




Option -PE



Plain End Waste -

This option eliminates the recessed gasket flange and provides a plain end waste outlet that extends 3" beyond the rear of the fixture, Intended for no-hub style connections.

Please visit www.acorneng.com for most current specifications.

⚠ WARNING: Cancer and Reproductive Harm - www.P65Warnings.ca.gov

