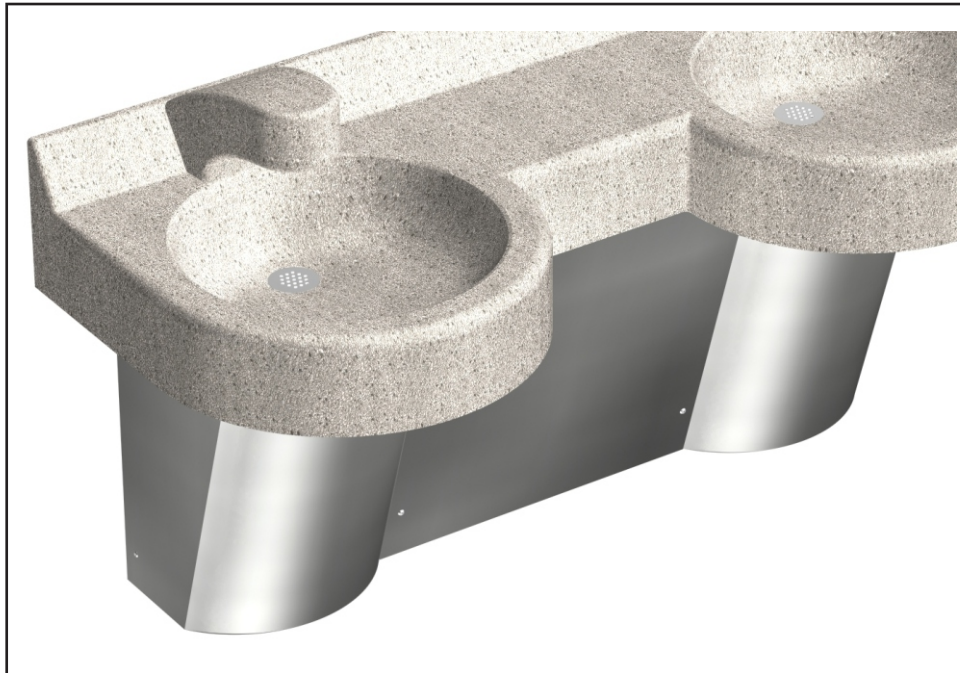




Option -SES



Scalloped Enclosure Style -

This option provides a sloping, scalloped trap enclosure with an enclosed bottom for curved front Corterra solid surface and stainless steel Washbasins. This option is NOT available for Meridian 3710 series, straight front, stainless steel models.

Enclosure conceals valve, waste piping and bottom of unit. Enclosure panels and frame are fabricated from heavy gage, type 304 stainless steel. Roughs may differ from base model, refer to model specific installation sheets.

Please visit www.acorneng.com for most current specifications.

 WARNING: Cancer and Reproductive Harm - www.P65Warnings.ca.gov

