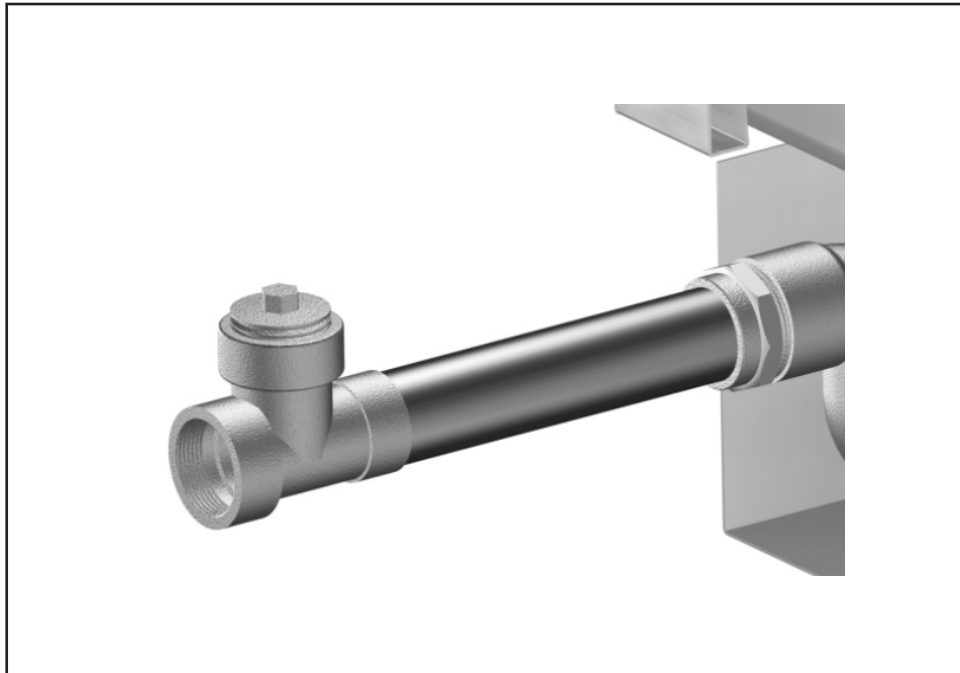




Option -TW2



Urinal Thru Wall Waste Connection with Cleanout -

This option provides a separate urinal waste extension with cleanout that connects to existing p-trap to allow convenient cleaning in the event of a line blockage. All fittings are copper or cast bronze.

Please visit www.acorneng.com for most current specifications.

⚠ WARNING: Cancer and Reproductive Harm - www.P65Warnings.ca.gov

