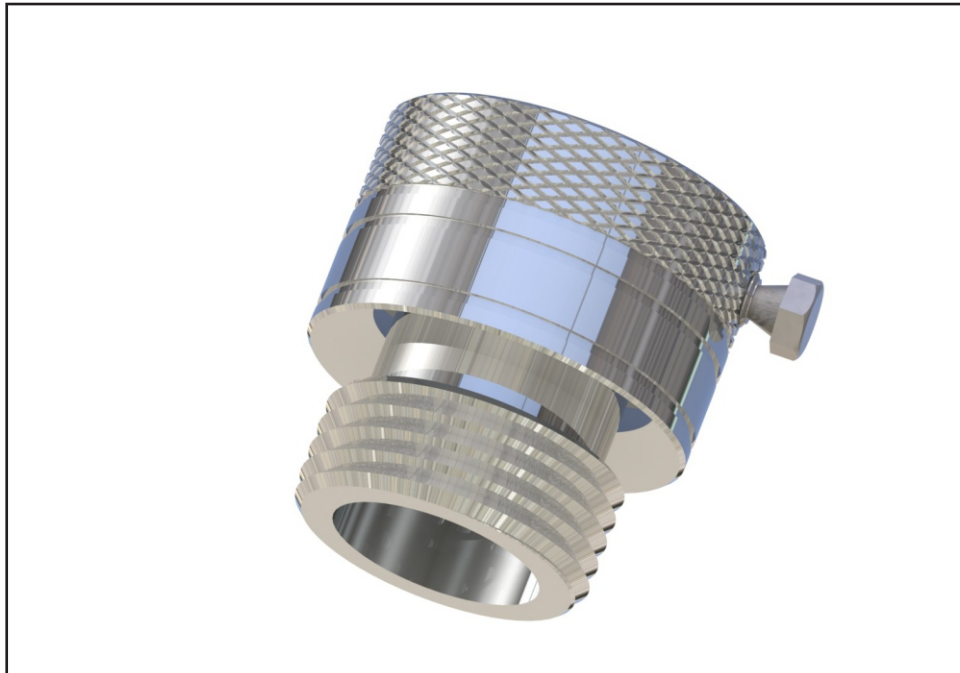




Option -VB



Vacuum Breaker -

Where required by code, a vacuum breaker is used with option -SH Spout with End Hose, to prevent possible contamination of the potable water supply.

Please visit www.acorneng.com for most current specifications.

 WARNING: Cancer and Reproductive Harm - www.P65Warnings.ca.gov

