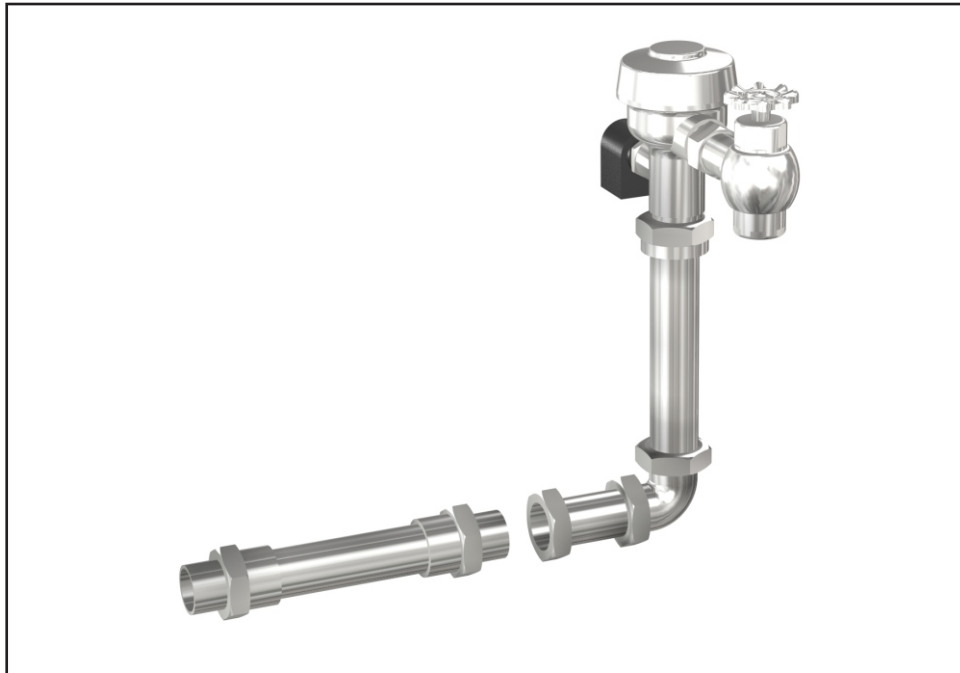




Option -FVT



Flush Valve, Thru Wall Connection -

For use where wall thickness exceeds 2", this option allows extended inlet trough th wall to be more accessible, making installation easier. The outlets at each end are NPT male threaded. Flush valve must be specified separately.

Please visit www.acorneng.com for most current specifications.

⚠ WARNING: Cancer and Reproductive Harm - www.P65Warnings.ca.gov

