



## Penal-Ware® 1449FA Series

ADA 2010 Compliant - Lav/Toilet Comby - Offset Toilet Bowl - Front Access



Federal Public Law 111-380 (No Lead)



1449FA-LO-2-BPH-PBH-04-DMB-BPH

Fixture May Show Some Available Options



Please visit [www.acorneng.com](http://www.acorneng.com) for most current specifications.

## ADA 2010 Compliant - Lav/Toilet Comby - Offset Toilet Bowl

**IMPORTANT:** For Compliance with CBC Calif. Title 24 refer to 1452 and LR1452 series.

**Fixture** is arranged to be installed on finished wall and serviced through removable access panels. Panels are secured with vandal resistant fasteners and are located on the face of the cabinet, on the open side of the cabinet and below the lavy section. Fixture cabinet and toilet are fabricated from 14 gage, type 304 stainless steel and polished to a satin finish. The inside of the toilet bowl also includes a satin finish. Cabinet interior is sound deadened with fire-resistant material. Optional Wall Sleeve or Metal Template is recommended for all installations to provide required wall openings. Unit complies with the accessibility requirements of ANSI, UFAS, ADA, and OBC regarding toilet and lavatory fixtures. Compliance is subject to the interpretation and requirements of the local code authority.

**Lavatory 'D' Bowl** is 15-1/4" x 12-1/2" x 4" deep. Standard P-trap waste outlet is 1-1/2" O.D. plain end.

**Spouts** selections are located on the deck to the rear of the bowl with valve controls located to the right and/or left of the DMS spout or DMB bubbler option.

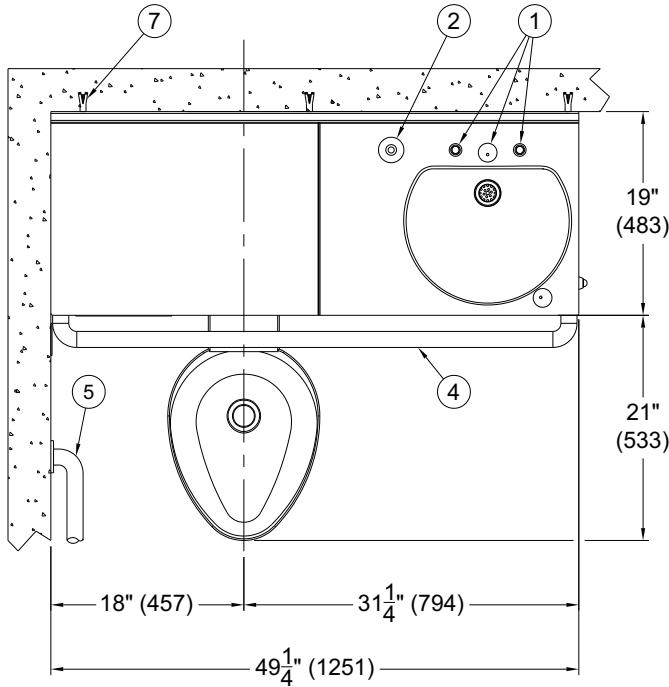
**Optional Valve** may be an Air-Control pneumatically operated, pushbutton valve with 1.4 GPM flow control for the DMS spout option and 0.70 GPM flow control for the DMB bubbler options. Pushbutton requires less than 5 lbs. to activate valve. Valve is metering, non-hold open type. Timing is from 5 to 60 seconds. Valve can be remotely located up to 10 feet from the operating pushbutton. Valve and bubbler conform to the requirements of for NSF61, section 9 and is IAPMO R&T certified to meet the lead free requirements of Section 1417 of the Federal Safe Drinking Water Act and Section 116875 of the California Health & Safety Code.

**Toilet** is blowout jet type with elongated bowl manufactured to ASME A112.19.3 and CSA B45.4 requirements and will flush with a minimum of 25 PSI flow pressure when used in conjunction with a minimum of 1.6 GPF. Trap has a minimum 3-1/2" seal and will pass a 2-1/8" ball. Toilet waste is gasket waste. Unit is provided with Suicide Resistant Skirt (SPS, optional on other fixtures).

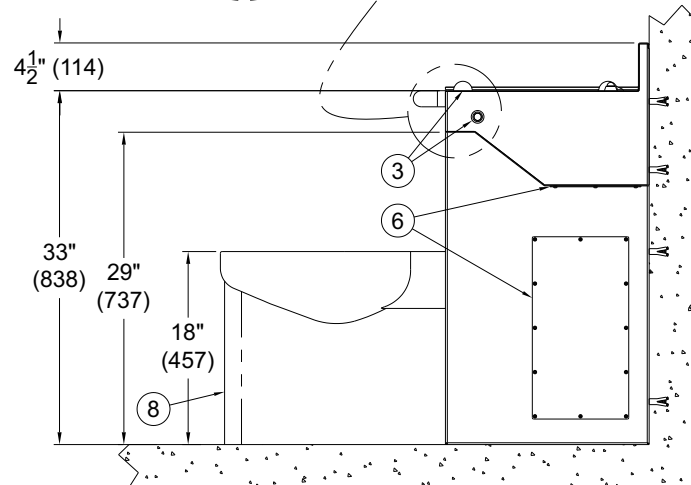
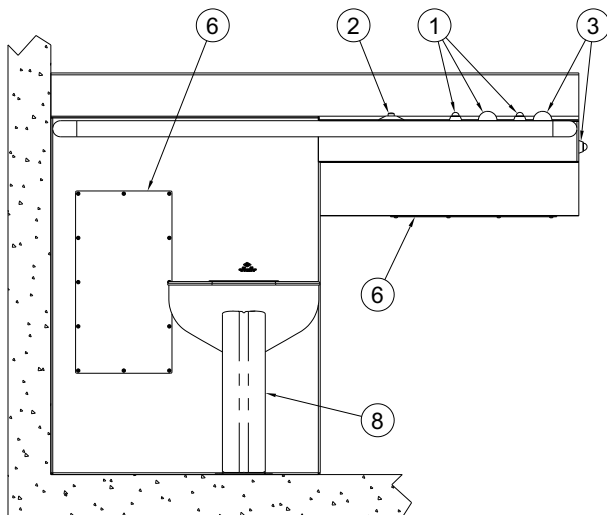
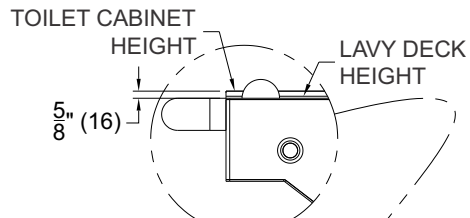
**Grab Bar** is heavy gage type 304 stainless steel construction, 1-1/2" diameter, extends the width of the fixture and measures 47-3/8" long from center to center. Grab bar is positioned behind toilet and is integral to the cabinet. Important: Optional Grab Bar Closure Plate may affect ADA Conformance.

### GUIDE SPECIFICATION

Provide and install Acorn Penal-Ware ADA 2010 Lav/Toilet-Comby-Offset Toilet Bowl (specify model number and options). Fixture shall be fabricated from type 304 stainless steel. Construction shall be seamless welded and exposed surfaces shall have a satin finish. Provide 36" minimum long stainless steel grab bar to be located behind toilet. Fixture shall have an Air-Control pneumatically operated, metering, non-hold open pushbutton valve. Valve shall require less than 5 lbs. to activate. Valve and bubbler conform to the requirements of NSF61, section 9 and is IAPMO R&T certified to meet the lead free requirements of Section 1417 of the Federal Safe Drinking Water Act and Section 116875 of the California Health and Safety Code. Toilet shall be concealed blowout jet type with an elongated bowl, a self-draining flushing rim, and an integral contoured seat. Fixture shall be cUPC certified and toilet shall meet ASME A112.19.3 and CSA B45.4 requirements and will flush with a minimum of 25 PSI flow pressure when used in conjunction with a minimum of 1.6 GPF. Toilet trap shall have a minimum 3-1/2" seal that shall pass a 2-1/8" diameter ball and be fully enclosed. Cabinet interior is to be sound deadened with fire-resistant material. Fixture shall withstand loadings of 5,000 pounds without permanent damage. Fixture shall be furnished with necessary fasteners for proper installation.



1. DECK MOUNTED SPOUT & PUSHBUTTONS FOR -04-M VALVE OPTION
2. HYDRAULIC FLUSH PUSHBUTTON
3. OPTIONAL DMB-BPH DRINKING BUBBLER & PUSHBUTTON
4. GRAB BAR
5. 42" LONG GRAB BAR BY OTHERS
6. ACCESS PANELS
7. WALL ANCHORS BY OTHERS
8. SPS STYLE SKIRT FEATURE STANDARD



# Penal-Ware® 1449FA: ADA 2010 - Lav/Toilet Comby - Offset Toilet Bowl - Front Access



## WALL THICKNESS AND TYPE (Must Specify)

Thickness: \_\_\_\_\_ Type:  Concrete  Block  Steel

## MODEL AND OPTIONS SELECTION:

### BASE MODEL NUMBER

1449FA 49" Lav-Toilet Comby

### TOILET ORIENTATION (Must Specify)

-LO Left Offset  
 -RO Right Offset

### FIXTURE MOUNTING AND WASTE (Must Specify)

-2 On-Floor, Wall Outlet  
 -3 On-Floor, Floor Outlet

### SPOUT SELECTION (Must Specify)

-DMS Deck Mounted Spout  
 -DMB Deck Mounted Bubbler (In Lieu of Spout)  
 -BC Bubbler, Code  
 -BP Bubbler, Penal  
 -BPH Bubbler, Penal Hemispherical

### VALVE SELECTION (Must Specify)

#### Air-Control (Pneumatic)

-03-M Single Temp, Metering  
 -04-M Hot & Cold, Metering

#### Master-Trol® (Electronic)

-EVS1 Single Temp  
 -EVS2 Hot & Cold  
 -EVSP1 Single Temp, Piezo Button  
 -EVSP2 Hot & Cold, Piezo Buttons

#### Master-Trol® PLUS (Electronic)

-MTP1 Single Temp  
 -MTP2 Hot & Cold  
 -MTPP1 Single Temp, Piezo Button  
 -MTPP2 Hot & Cold, Piezo Buttons

#### -MTP VALVE OPTION

-PFB Power Failure Bypass

(Provides drinking water in the event of power failure)

#### Time-Trol® (Electronic)

-MVC1 Single Temp  
 -MVC1-BAT Single Temp Battery Powered (Batteries Not Included)  
 -MVC2 Hot & Cold  
 -MVC2-BAT Hot & Cold Battery Powered (Batteries Not Included)

#### Programmable (Electronic) w/9VDC Plug-In Transformer

-PPZ1 Single Temp Programmable Piezo Button  
 -PPZ2 Hot & Cold Programmable Piezo Button

#### Valve By Others

-9 Punched for Valve by Others

#### VALVE OPTIONS

-BRS Brass Body Valve  
 -CI Cycle Interrupt for Time-Trol® Valves  
 -MA2 Manifoldd, 2-Stack  
 -MA3 Manifoldd, 3-Stack (N/A with -PFB option)  
 -MA4 Manifoldd, 4-Stack (N/A with -PFB option)  
 -PBH Hemispherical Pushbutton  
 -TF Transformer, 120VAC to 24VAC (-MVC option only)

## FLUSH VALVE GPF's (Must Specify)

-1.28 GPF (HET)  
 -1.6 GPF (Not Available in California)  
 -3.5 GPF (Not Available in California)

## FLUSH VALVE OPTIONS (Must Specify)

-EVSFV Master-Trol® Electronic Flush Valve  
 -EVSPFV Master-Trol® Electronic Flush Valve w/ Piezo Button  
 -FVBO Flush Valve by Others  
 -FVH Flush Valve, Hydraulic  
 -MTPFV Master-Trol® PLUS Electronic Flush Valve  
 -MTPPFV Master-Trol® PLUS Electronic Flush Valve w/ Piezo Button  
 -MVCFV Time-Trol® Electronic Flush Valve

## CABINET OPTIONS

-FMT Fixture Mounted Trim  
 -GBC Grab Bar Closure Plate (May Affect ADA Conformance)  
 -LGB Less Grab Bar  
 -PH Paper Holder, not ADA Compliant (Opposite Toilet/Offset Orientation)  
 -TB Toothbrush Holder Single Hole (Installed on lavy side of unit)  
 -TG 12 Gage Cabinet  
 -TH Towel Hook,  Single  Double (Installed on lavy side of unit)  
 -VG5 Vent Grille 7-1/2" x 10-1/2"

## LAVATORY WASTE OPTIONS

-CW Combined Waste  
 -OF Lavatory Overflow

## TOILET OPTIONS

-FT Flood-Trol (Manual Reset)  
 -FTA Flood-Trol Auto-reset  
 -FTE Flood-Trol Electronic  
 -HPS High Polished Seat  
 -PE Plain End Waste Outlet, Extended 3" Beyond Back of Fixture  
 -TSC Toilet Shipping Cover  
 -TWE Toilet Waste Extension, (3" Standard w/ PE) Specify Length Beyond Fixture: \_\_\_\_\_  
 -WO3B 2-3/8" OD P-Trap w/ 3" OD Plain End Waste Outlet Connection, Extended 3" Beyond Back of Fixture

## PRODUCT OPTIONS

-EGE Enviro-Glaze, Specify Color: \_\_\_\_\_ Toilet Exterior Only  
 -DMB Deck Mounted Drinking Bubbler (Cold water only) N/A with -03-M tempered supply  
 -BP Penal Style  -BC Code Style  
 -BPH Penal Hemispherical Style  
 -LPFV Less Punching for Flush Valve  
 -MT Metal Template (Only 1 required per project)  
 -SW Wall Sleeve  
 -VAC AcornVac Systems

Please visit [www.acorneng.com](http://www.acorneng.com) for most current specifications.

**WARNING:** Cancer and Reproductive Harm - [www.P65Warnings.ca.gov](http://www.P65Warnings.ca.gov)

<p><b>Important:</b> Installation instructions and current rough-in are furnished with each fixture. Do not rough in without certified dimensions. Dimensions are subject to manufacturer's tolerance of plus or minus 1/4" and change without notice. Acorn assumes no responsibility for use of void or superseded data. © Copyright Acorn Engineering Company</p>	
<p style="text-align: center;">Selection Summary</p> <p>Model No. &amp; Options _____</p> <p>Quantity _____</p>	<p style="text-align: center;">Approved for Manufacturing</p> <p>Company _____ Title _____</p> <p>Signature _____ Date _____</p>