



Penal-Ware® 1670 Series Drinking Fountain



1670-1-BC-03

Fixture May Show Some Available Options

Please visit www.acorneng.com for most current specifications.

Drinking Fountain

Fixture is arranged to be installed on finished wall and serviced from an accessible pipe chase. Optional Wall Sleeve or Metal Template is recommended on all installations for required wall openings.

Fixture is fabricated from 14 gage, type 304 stainless steel and is seamless welded construction with a satin finish. Cabinet interior is sound-deadened with fire-resistant material. There are no accessible voids or crevices where contraband can be concealed.

Countertop has a deck mounted bubbler.

Bowl is oval. Standard elbow waste outlet is 1-1/2" O.D. plain end and extends 3" minimum beyond the back of the fixture.

Optional Valve is an Air-Control pneumatically operated, pushbutton valve using atmospheric air. Pushbutton is vandal-resistant and requires less than 5 pounds to activate valve. Valve is direct acting, non-metering type. Valve includes a 0.7 GPM flow control and can be remotely located up to 10 feet from the operating pushbutton. Valve and bubbler conform with the lead free requirements of NSF61, Section 9 and CHSC 116875.

Regularly Furnished items include a fast drain, plain end elbow waste, and mounting hardware for walls up to 8" thick.

GUIDE SPECIFICATION

Provide and install Acorn Penal-Ware Drinking Fountain (specify model number and options). Fixture shall be fabricated from 14 gage, type 304 stainless steel. Construction shall be seamless welded and exposed surfaces shall have a satin finish. Cabinet interior is sound-deadened with fire-resistant material. Fixture shall be furnished with necessary fasteners for proper installation. Valve and bubbler conform with the lead free requirements of NSF61, Section 9 and CHSC 116875.



Penal-Ware® 1670 : Drinking Fountain

WALL THICKNESS AND TYPE (Must Specify)

Thickness: _____ Type: Concrete Block Steel

MODEL AND OPTIONS SELECTION:

BASE MODEL NUMBER

1670 Drinking Fountain

FIXTURE MOUNTING AND WASTE (Must Specify)

-1 Off-Floor, Wall Outlet

BUBBLER SELECTION (Must Specify)

- BC Bubbler, Code
- BP Bubbler, Penal
- BPH Bubbler, Hemispherical

VALVE SELECTION (Must Specify)

Air-Controlrol (Pneumatic)

-03 Single Temp, Non-Metering

Master-Trol® (Electronic)

- EVS1 Single Temp
- EVSP1 Single Temp, Piezo Button

Master-Trol® PLUS (Electronic)

- MTP1 Single Temp
- MTPP1 Single Temp, Piezo Button

-MTP VALVE OPTION

- PFB Power Failure Bypass
(Provides drinking water in the event of power failure)

Time-Trol® (Electronic)

- MVC1 Single Temp
- MVC1-BAT Single Temp Battery Powered
(Batteries Not Included)

Programmable (Electronic) w/9VDC Plug-In Transformer

-PPZ1 Single Temp Programmable Piezo Button

Valve By Others

-9 Punched for Valve by Others

VALVE OPTIONS

- BRS Brass Body Valve
- CI Cycle Interrupt for Time-Trol® Valves
- MA2 Manifoldd, 2-Stack
- MA3 Manifoldd, 3-Stack (N/A with -PFB option)
- MA4 Manifoldd, 4-Stack (N/A with -PFB option)
- PBH Hemispherical Pushbutton
- TF Transformer, 120VAC to 24VAC (-MVC option only)

CABINET OPTIONS

- FMT Fixture Mounted Trim
- TG 12 Gage Cabinet

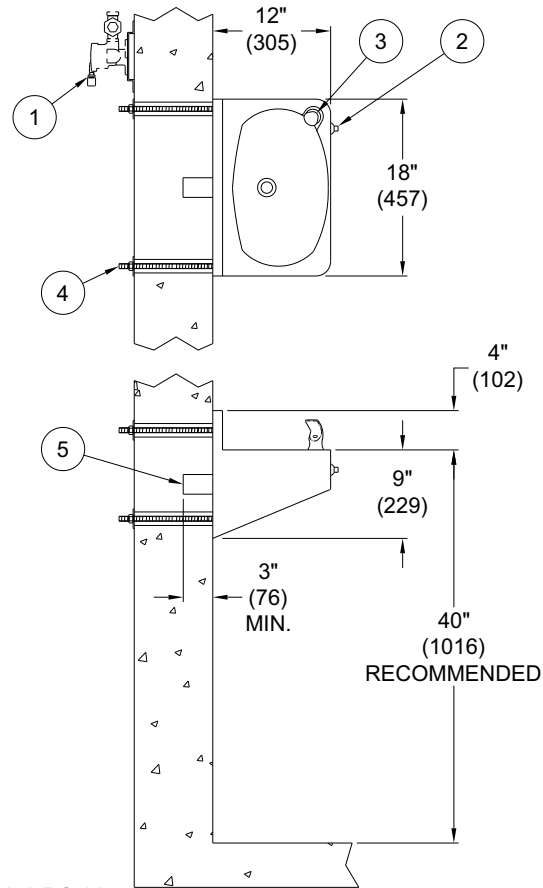
LAVATORY WASTE OPTIONS

- LW1 Thru-Wall Waste Extension with P-Trap
- LWE Lavy Waste Extension (3" Standard)
Specify Length Beyond Fixture: _____
- PT P-Trap Waste

PRODUCT OPTIONS

- EG Enviro-Glaze, Specify Color: _____
- MT Metal Template (Only 1 Required Per Project)
- SW Wall Sleeve
- VAC AcornVac System

Please visit www.acorneng.com for most current specifications.



1670-1-BC-03

WARNING: Cancer and Reproductive Harm - www.P65Warnings.ca.gov

Important: Installation instructions and current rough-in are furnished with each fixture. Do not rough in without certified dimensions. <small>Dimensions are subject to manufacturer's tolerance of plus or minus 1/4" and change without notice. Acorn assumes no responsibility for use of void or superseded data. © Copyright 2009 Acorn Engineering Company</small>	
<p style="text-align: center;">Selection Summary</p> <p>Model No. & Option _____</p> <p>Quantity _____</p>	<p style="text-align: center;">Approved for Manufacturing</p> <p>Company _____ Title _____</p> <p>Signature _____ Date _____</p>