



Penal-Ware® 1672FA Series

Drinking Fountain - ADA 2010 Compliant - Front Access



1672FA-1-BP-3

Fixture May Show Some Available Options

Please visit www.acorneng.com for most current specifications.

Drinking Fountain - ADA 2010 Compliant - Front Access

Fixture is designed to be installed on a finished wall through removable bottom and secured with vandal resistant screws. Features a deck mounted bubbler and includes mounting hardware. Wall anchors are by others. For locating or providing required wall openings and mounting points the optional Wall Sleeve or Metal Template is recommended. Drinking Fountain complies with ANSI, UFAS and ADA 2010 requirements for accessibility. Compliance is subject to the interpretation and requirements of the local code authority.

Cabinet is fabricated of 14 gage, type 304 stainless steel and is seamless welded construction with exposed surfaces polished to a satin finish. Cabinet interior is sound deadened with a fire resistant material.

Bowl is multi-sided. Standard P-trap waste outlet connection is 1-1/2" O.D. plain end and extends 3" minimum beyond the back of fixture.

Valve is an optionally available Air-Control, pneumatically operated, pushbutton valve using atmospheric air and includes 0.7 GPM flow control. Valve is intended to be housed within cabinet or may be remotely located up to 10 feet away from the operating pushbutton. Valve is direct acting, non-metering type, with bubbler that both conform with lead free requirements of NSF61, Section 9 and CHSC 116875. Pushbutton is vandal resistant and requires less than 5 lbs to operate.

Regularly furnished items include a fast drain, 1-1/2" O.D. Plain end waste, and mounting hardware. Wall anchors are by others.

GUIDE SPECIFICATION Provide and install an Acorn Penal-Ware, ADA 2010 Compliant Drinking Fountain (specify model number and options). Unit shall conform with ANSI, UFAS and ADA 2010 requirements for accessibility. Fixture shall be fabricated from 14 gage, type 304 stainless steel. Construction shall be seamless welded and exposed surfaces shall have a satin finish. Provide ADA compliant Air-Control pneumatically operated, direct acting, non-metering valve, pushbutton and bubbler. Valve and bubbler to conform with lead free requirements for NSF61, Section 9 and CHSC 116875. Cabinet bottom shall be removable and secured with vandal resistant fasteners. Cabinet interior shall be sound deadened with fire resistant material. Fixture shall be provided with necessary fasteners for proper installation.



Penal-Ware® 1672FA : Drinking Fountain - ADA Compliant - Front Access

WALL THICKNESS AND TYPE (Must Specify)
 Thickness _____ Type: Concrete Block Steel

MODEL NUMBER AND OPTIONS SELECTION

BASE MODEL NUMBER
 1672FA Drinking Fountain - ADA Compliant - Front Access

FIXTURE MOUNTING AND WASTE (Must Specify)
 -1 Off-Floor, Wall Outlet

BUBBLER SELECTION (Must Specify)
 -BC Bubbler, Code
 -BP Bubbler, Penal
 -BPH Bubbler, Hemispherical

VALVE SELECTION (Must Specify)
Air-Control (Pneumatic)
 -03 Single Temp, Non-Metering

Master-Trol® (Electronic)
 -EVS1 Single Temp
 -EVSP1 Single Temp, Piezo Button

Master-Trol® PLUS (Electronic)
 -MTP1 Single Temp
 -MTPP1 Single Temp, Piezo Button

-MTP VALVE OPTION
 -PFB Power Failure Bypass (Provides drinking water in the event of power failure)

Time-Trol® (Electronic)
 -MVC1 Single Temp
 -MVC1-BAT Single Temp Battery Powered (Batteries Not Included)

Programmable (Electronic) w/9VDC Plug-In Transformer
 -PPZ1 Single Temp Programmable Piezo Button

Valve By Others
 -9 Punched for Valve by Others

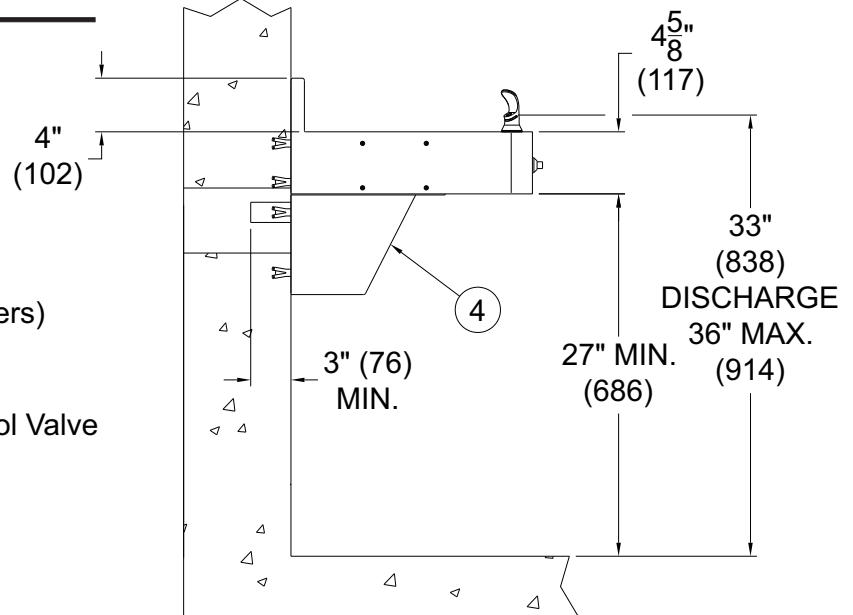
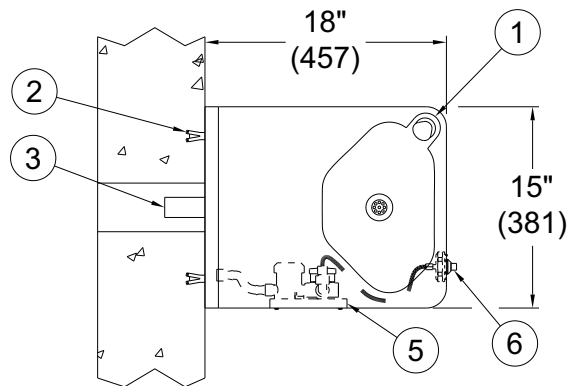
VALVE OPTIONS
 -BRS Brass Body Valve
 -CI Cycle Interrupt for Time-Trol® Valves
 -PBH Hemispherical Pushbutton
 -TF Transformer, 120VAC to 24VAC (-MVC option only)

CABINET OPTIONS
 -FMT Fixture Mounted Trim
 -TG 12 Gage Cabinet

LAVATORY WASTE OPTIONS
 -LWE Lavy Waste Extension (3" Standard) Specify Length Beyond Fixture: _____

PRODUCT OPTIONS
 -EG Enviro-Glaze, Specify Color: _____
 -MT Metal Template (Only 1 Required Per Project)
 -SW Wall Sleeve
 -VAC AcornVac System

Please visit www.acorneng.com for most current specifications.



- NOTES:**
1. (-BC) Drinking Bubbler
 2. Wall Mounting Hardware (By Others)
 3. Lavy Waste Outlet
 4. Removable Access Panel
 5. -03 Single Temperature Air-Control Valve
 6. Valve Pushbutton

1672FA-BC

WARNING: Cancer and Reproductive Harm - www.P65Warnings.ca.gov

<p>Important: Installation instructions and current rough-in are furnished with each fixture. Do not rough in without certified dimensions. Dimensions are subject to manufacturer's tolerance of plus or minus 1/4" and change without notice. Acorn assumes no responsibility for use of void or superseded data. © Copyright 2009 Acorn Engineering Company</p>	
<p>Selection Summary</p> <p>Model No. & Option _____</p> <p>Quantity _____</p>	<p>Approved for Manufacturing</p> <p>Company _____ Title _____</p> <p>Signature _____ Date _____</p>