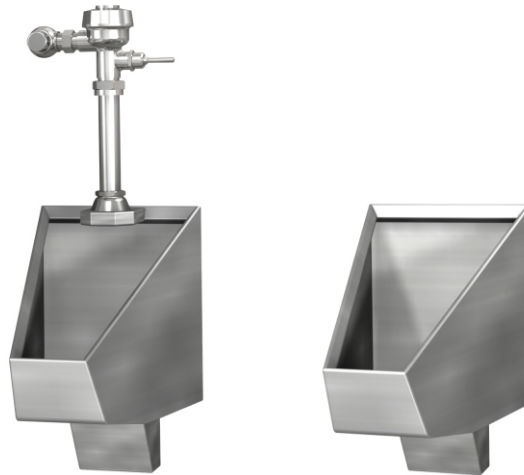




## Penal-Ware® 1705 Series

Straddle - Blowout Jet Urinal - ADA Compliant



1705-T-1-FV

1705-W-1

Fixture May Show Some Available Options

Please visit [www.acorneng.com](http://www.acorneng.com) for most current specifications.

### Straddle - Blowout Jet Urinal - ADA Compliant

**Fixture** is arranged to be installed on finished wall and serviced from an accessible pipe chase. Optional Wall Sleeve or Metal Template is recommended for all installations for required wall openings. Unit conforms with ANSI, UFAS and ADA requirements for accessibility. Compliance is subject to the interpretation and requirements of the local code authority. Fixture is fabricated from 14 gage, type 304 stainless steel and is seamless welded construction. Exterior has a satin finish. Interior has a matte finish. Fixture is back wall washdown type, and is optionally available with a continuous flushing rim that washes all four walls. Corners are coved to facilitate cleaning. P-trap is fully enclosed. Back of fixture is sound-deadened with fire-resistant material. There are no accessible voids or crevices where contraband can be concealed.

**Urinal** is blowout jet type with back wall washdown and includes a P-trap with a minimum of 2-1/2" seal. Flushing inlet connection is 1-1/2" NPT male and fixture requires a flushometer with a minimum of 25 PSI flow pressure and water consumption of 3.5 gallons per flush.

**Verify Flush Valve rating is compatible with local code requirements.**

**Mounting Hardware** is furnished for walls up to 8" thick.

### GUIDE SPECIFICATION

Provide and install Acorn Penal-Ware Straddle - Blowout Jet Urinal (specify model number and options). Urinal shall be back wall washdown type. Fixture shall be fabricated from 14 gage, type 304 stainless steel and shall have coved corners to facilitate cleaning. Construction shall be seamless welded and exterior surfaces shall have a satin finish. P-trap shall be fully enclosed. Fixture shall be furnished with necessary fasteners for proper installation. Units to conform with ANSI, UFAS and ADA requirements for accessibility.



# Penal-Ware®: 1705 Straddle - Blowout Jet Urinal - ADA Compliant

## WALL THICKNESS AND TYPE (Must Specify)

Thickness \_\_\_\_\_ Type:  Concrete  Block  Steel

## MODEL NUMBER AND OPTIONS SELECTION

### BASE MODEL NUMBER

1705 Straddle - Blowout Jet Urinal

### SUPPLY (Must Specify)

-T Top (Exposed)  
 -W Wall (Concealed)

### FIXTURE MOUNTING AND WASTE (Must Specify)

-1 Off-Floor, Wall Outlet

### FLUSH VALVE GPF

-3.5 GPF (Not Available in California)

## FLUSH VALVE OPTIONS (Must Specify)

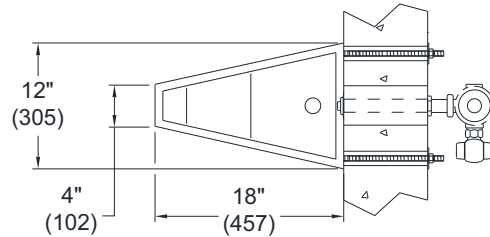
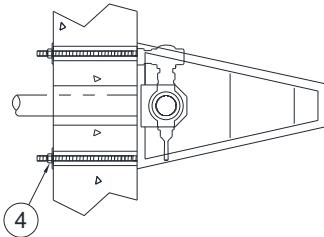
**\*REFER TO ACORN DURA-WARE ACCESSORIES FOR FLUSH VALVE COVER #2802, BOX #2803-1 AND PANEL #2898\***

- EVSVF Master-Trol® Electronic Flush Valve (N/A for Top Supply)
- EVSPFV Master-Trol® Electronic Flush Valve w/ Piezo Button (N/A for Top Supply)
- FV Flush Valve, Mechanical (N/A for ADA)
- FVBO Flush Valve by Others
- FVH Flush Valve, Hydraulic (N/A for Top Supply)
- FVL Flush Valve, Lever Handle (Wall Supply)
- MTPFV Master-Trol® PLUS Electronic Flush Valve (N/A for Top Supply)
- MTPPFV Master-Trol® PLUS Electronic Flush Valve w/ Piezo Button (N/A for Top Supply)
- MVCFV Time-Trol® Electronic Flush Valve (N/A for Top Supply)

## PRODUCT OPTIONS

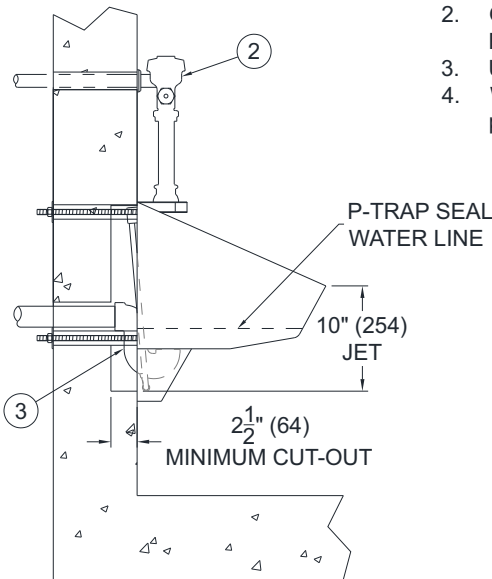
- ADA ADA Compliant - 17" Rim Height
- CFR Continuous Flushing Rim
- EG Enviro-Glaze, Specify Color: \_\_\_\_\_
- FVT Flush Valve Thru Wall Connector
- MT Metal Template (Only 1 Required Per Project)
- SW Wall Sleeve
- TF Transformer, 120VAC to 24VAC (-MVCFV option)
- TG 12 Gage Housing

Please visit [www.acorneng.com](http://www.acorneng.com) for most current specifications.

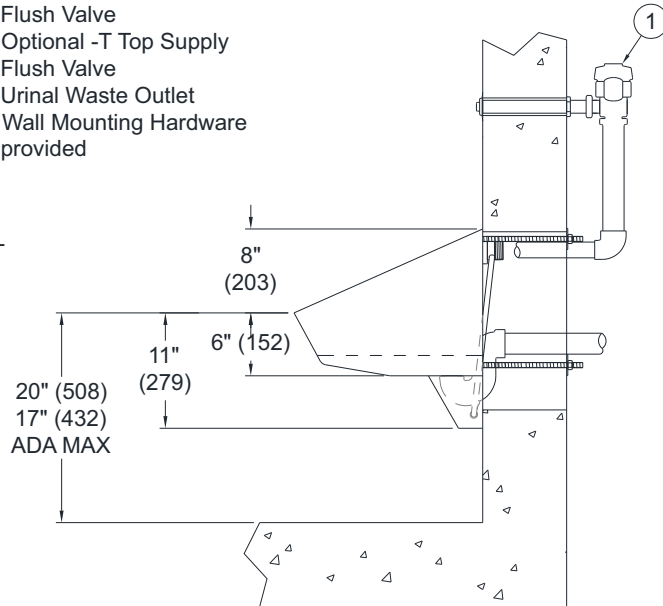


### NOTES:

1. Optional -W Wall Supply Flush Valve
2. Optional -T Top Supply Flush Valve
3. Urinal Waste Outlet
4. Wall Mounting Hardware provided



1705-T-1



1705-W-1

**WARNING:** Cancer and Reproductive Harm - [www.P65Warnings.ca.gov](http://www.P65Warnings.ca.gov)

**Important:** Installation instructions and current rough-in are furnished with each fixture. Do not rough in without certified dimensions. Dimensions are subject to manufacturer's tolerance of plus or minus 1/4" and change without notice. Acorn assumes no responsibility for use of void or superseded data. © Copyright 2006 Acorn Engineering Company

<p style="text-align: center;"><b>Selection Summary</b></p> <p>Model No. &amp; Option _____</p> <p>Quantity _____</p>	<p style="text-align: center;"><b>Approved for Manufacturing</b></p> <p>Company _____ Title _____</p> <p>Signature _____ Date _____</p>
---	---