



## Penal-Ware® 1713 Series

Multi-Person Washout Urinal



1714-W-1

Fixture May Show Some Available Options

Please visit [www.acorneng.com](http://www.acorneng.com) for most current specifications.

### Multi-Person - Washout Urinal

**Fixture** is arranged to be installed on finished wall and serviced from an accessible pipe chase. Optional Wall Sleeve or Metal Template is recommended for all installations for required wall openings. Fixture is fabricated from 14 gage, type 304 stainless steel and is seamless welded construction. Exterior has a satin finish. Interior has a matte finish. Fixture is back wall washdown type, and is optionally available with a continuous flushing rim that washes all four walls. Corners are coved to facilitate cleaning. P-trap is fully enclosed. Back of fixture is sound-deadened with fire-resistant material.

**Urinal** is washout type with back wall washdown. Flushing inlet connection is 3/4" NPT male. Bottom is sloped to an integral high capacity stainless steel beehive dome strainer. P-trap has a minimum of 2" seal. Note: Flushing inlet connection is 1-1/2" NPT male when models 1716 and 1718 are specified with option -CFR Continuous Flushing Rim.

**Mounting Hardware** is furnished for walls up to 8" thick.

#### GUIDE SPECIFICATION

Provide and install Acorn Penal-Ware Multi-Person Washout Urinal (specify model number and options). Fixture shall be fabricated from 14 gage, type 304 stainless steel and shall have a fully enclosed trap. Construction shall be seamless welded and exposed exterior surfaces shall have a satin finish. Fixture shall be back wall washdown type, and shall have coved corners to facilitate cleaning. Bottom shall be sloped to an integral high capacity stainless steel beehive dome strainer. P-trap shall be fully enclosed. Fixture shall be furnished with necessary fasteners for proper installation.



# Penal-Ware®: 1713 Multi-Person - Washout Urinal

## WALL THICKNESS AND TYPE (Must Specify)

Thickness \_\_\_\_\_ Type:  Concrete  Block  Steel

## MODEL NUMBER AND OPTIONS SELECTION

### BASE MODEL NUMBER

- 1713 3' Multi-Person - Washout Urinal
- 1714 4' Multi-Person - Washout Urinal
- 1715 5' Multi-Person - Washout Urinal
- 1716 6' Multi-Person - Washout Urinal
- 1718 8' Multi-Person - Washout Urinal

### SUPPLY (Must Specify)

- T Top (Exposed)
- W Wall (Concealed)

### FIXTURE MOUNTING AND WASTE (Must Specify)

- 1 Off-Floor, Wall Outlet

### FLUSH VALVE GPF's (Must Specify)

- 1.0 GPF (Not Available in California) (1713, 1714, & 1715)
- 1.5 GPF (Not Available in California) (1713, 1714, 1715, 1716, & 1718)
- 3.5 GPF (Not Available in California)
  - Required for 1716-CFR & 1718-CFR
  - N/A with 1713, 1714 or 1715

## FLUSH VALVE OPTIONS (Must Specify)

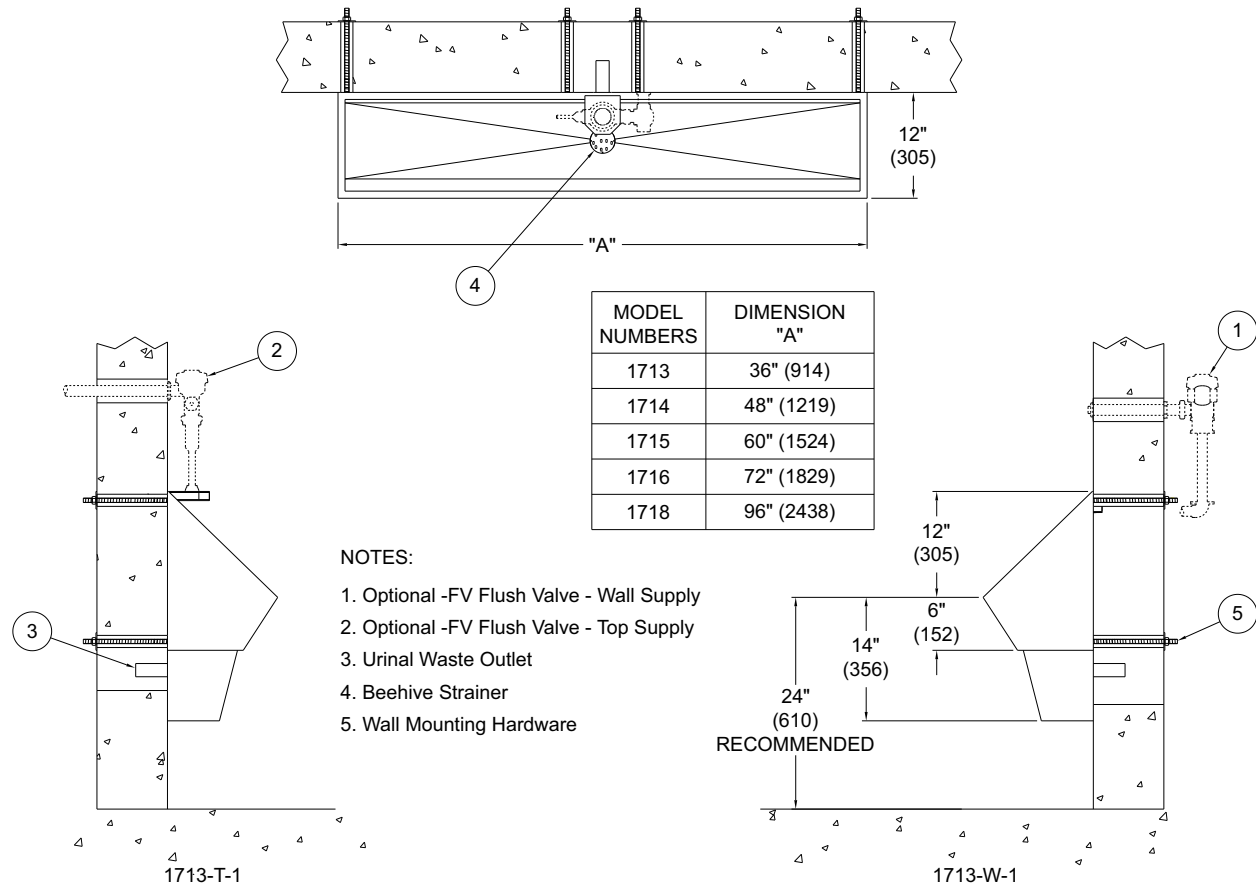
**\*REFER TO ACORN DURA-WARE ACCESSORIES FOR FLUSH VALVE COVER #2802, BOX #2803-1 AND PANEL #2898\***

- EVSFV Master-Trol® Electronic Flush Valve (N/A for Top Supply)
- EVSPFV Master-Trol® Electronic Flush Valve w/ Piezo Button (N/A for Top Supply)
- FV Flush Valve, Mechanical (N/A for ADA)
- FVBO Flush Valve by Others
- FVH Flush Valve, Hydraulic (N/A for Top Supply)
- FVL Flush Valve, Lever Handle (Wall Supply)
- MTPFV Master-Trol® PLUS Electronic Flush Valve
- MTPPFV Master-Trol® PLUS Electronic Flush Valve w/ Piezo Button
- MVCFV Time-Trol® Electronic Flush Valve (N/A for Top Supply)

## PRODUCT OPTIONS

- 316 316 Stainless Steel in Lieu of 304
- CFR Continuous Flushing Rim (3.5 GPF Flush Valve Required for 1716 & 1718)
- EG Enviro-Glaze, Specify Color: \_\_\_\_\_
- FVT Flush Valve Through Wall Connector (N/A For Top Supply)
- MT Metal Template (Only 1 Required Per Project)
- SW Wall Sleeve
- TF Transformer, 120VAC to 24VAC (-MVCFV Option)
- TG 12 Gage Housing

Please visit [www.acorneng.com](http://www.acorneng.com) for most current specifications.



**WARNING:** Cancer and Reproductive Harm - [www.P65Warnings.ca.gov](http://www.P65Warnings.ca.gov)

**Important:** Installation instructions and current rough-in are furnished with each fixture. Do not rough in without certified dimensions. Dimensions are subject to manufacturer's tolerance of plus or minus 1/4" and change without notice. Acorn assumes no responsibility for use of void or superseded data. © Copyright 2010 Acorn Engineering Company

<p style="text-align: center;"><b>Selection Summary</b></p> <p>Model No. &amp; Option _____</p> <p>Quantity _____</p>	<p style="text-align: center;"><b>Approved for Manufacturing</b></p> <p>Company _____ Title _____</p> <p>Signature _____ Date _____</p>
---	---